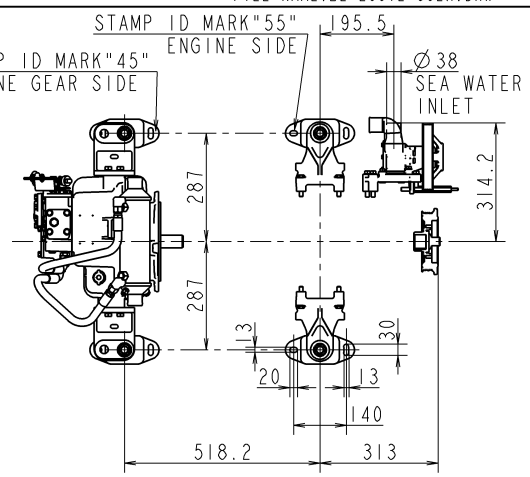
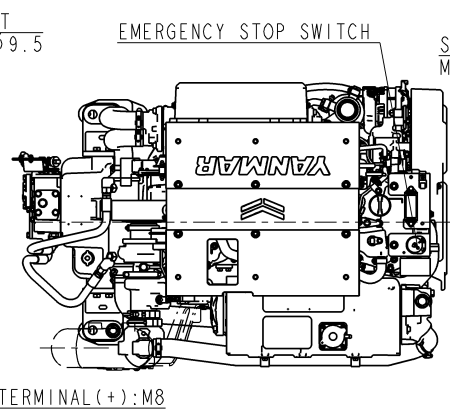
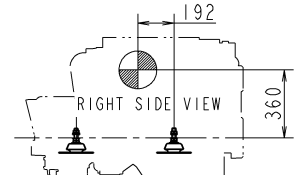
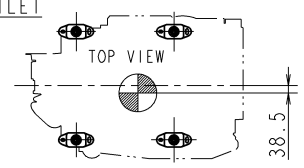
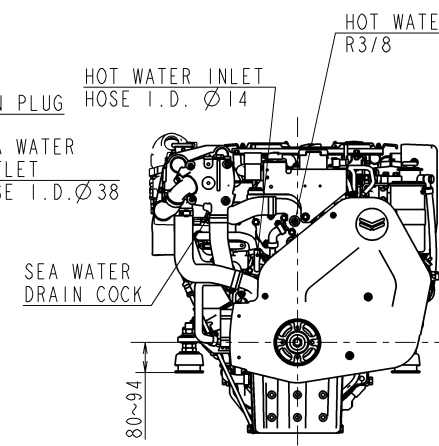
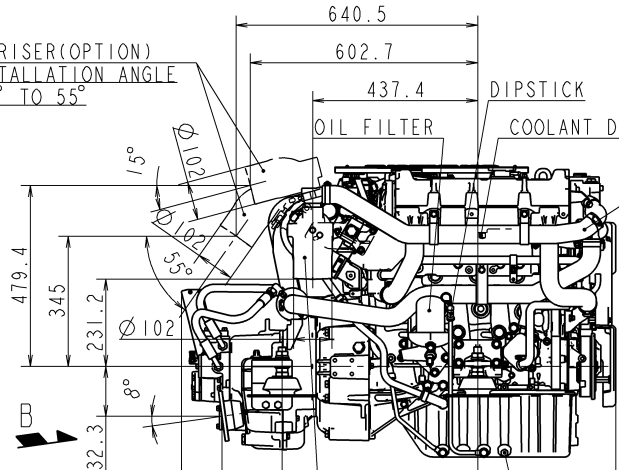
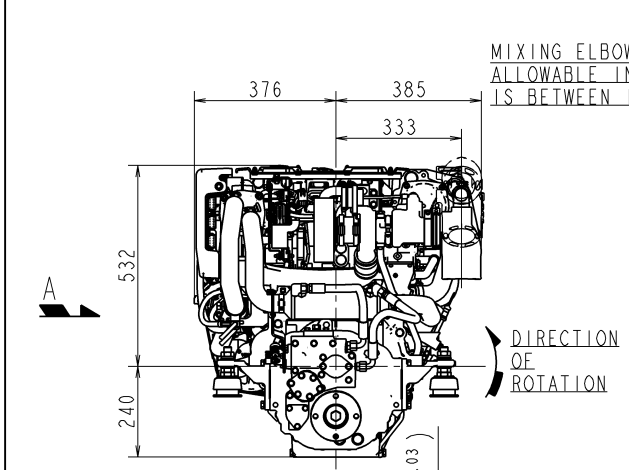


VIEW A



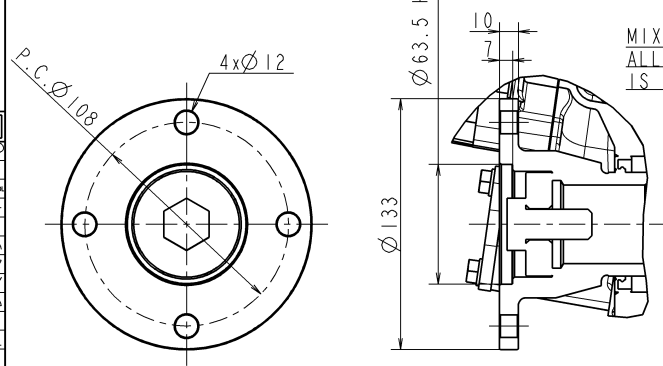
CAREER

RELEASE OF DRAWING FOR MASS PRODUCTION. (YDSBD-17005)



CENTER OF GRAVITY SCALE 1:20

AT FREE HEIGHT OF ISOLATION MOUNT (ENGINE WEIGHT WILL COMPRESS THE MOUNT APPROX 3.5mm)



DETAIL OF COUPLING ARROW B (SCALE 1:2)

SPECIFICATIONS			
MODEL	4LV150	4LV170	4LV195
Continuous Power (ISO8665)kW/min ⁻¹	100 / 3392	114 / 3392	130 / 3392
Fuel Stop Power Crankshaft (ISO8665)kW/min ⁻¹	110 / 3500	125 / 3500	143 / 3500
Engine Mass kg	Approx. 388		
Direction Of Propeller Shaft Rotation	Counter-clockwise		

量産用 FOR MASS PRODUCTION

MANAGER 山口

SEC. MANAGER 吉崎	MODEL 4LV150 4LV170 4LV195	SCALE 1:10
CHECKED 中村幸	SPECIALIST QTY - - -	MATERIAL -
DESIGNED 石井 堀	DATE: Y.M.D 2017.10.24	NAME 4LV X KMH50A OUTLINE
YANMAR		CODE B2-20672-0020
YANMAR CO., LTD. DEVELOPMENT DIV.		DRAW SIZE A2