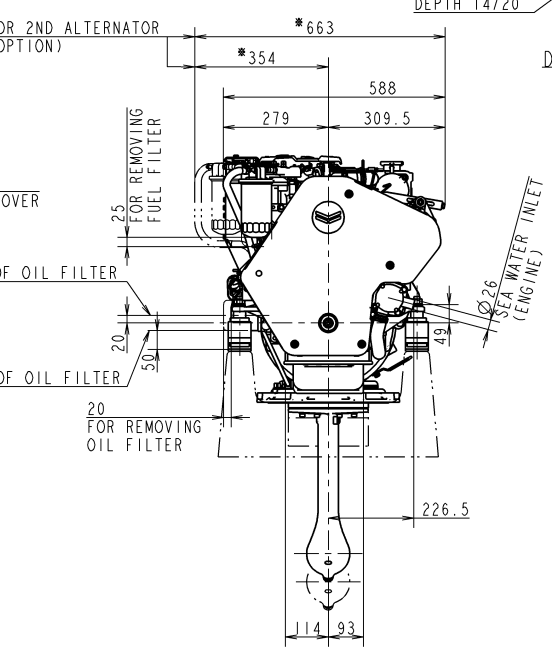
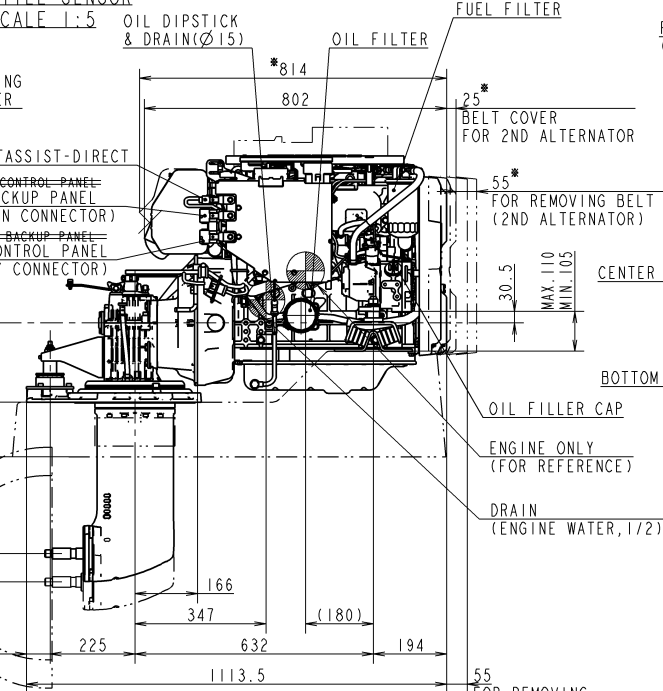
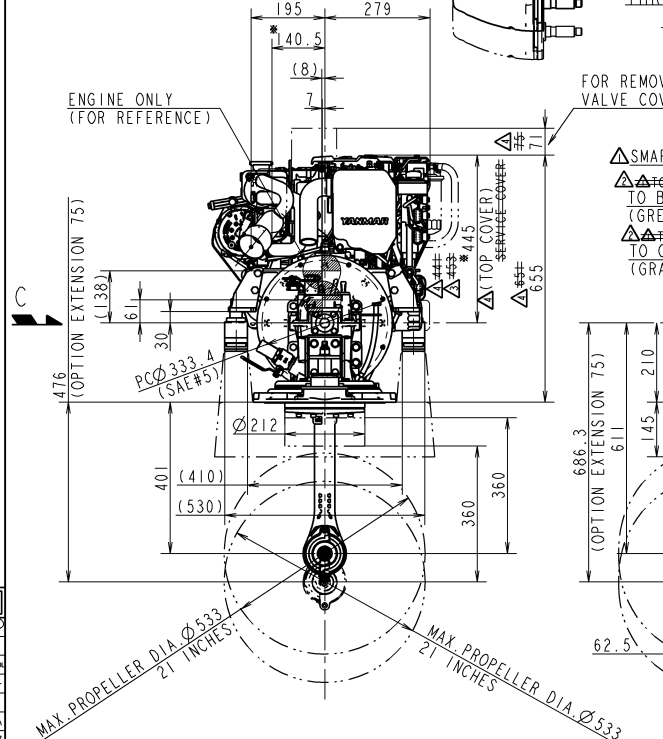
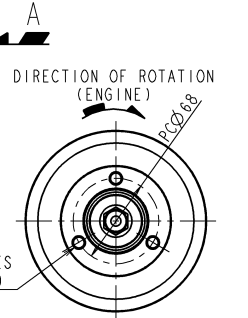
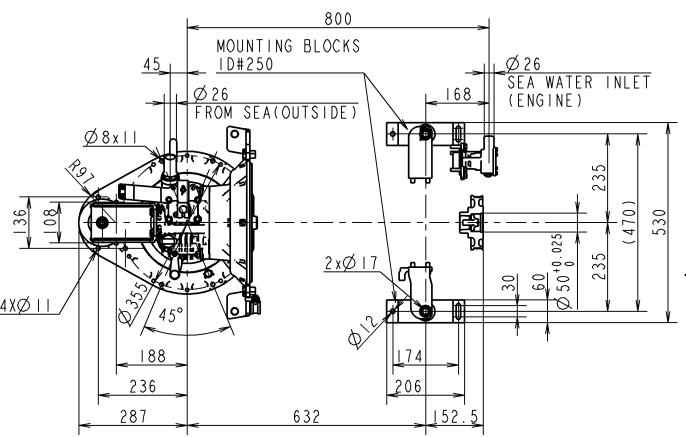
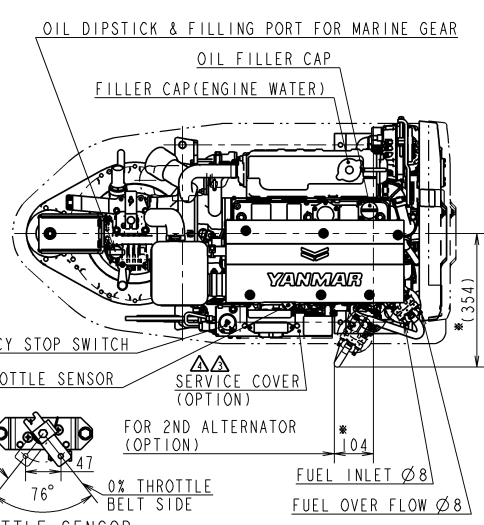
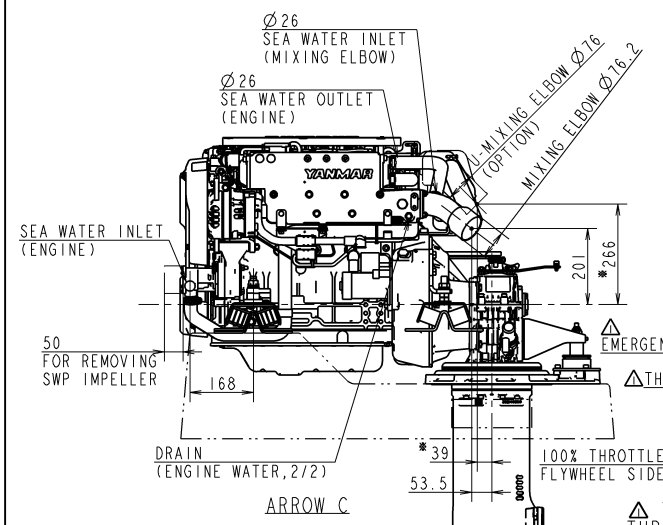


CAREER

※1形 YDSBD-14004にのみ本図適用。
 1改 (2014. 6. 30)
 ・スロットルセンタ位置追加
 ・ベルトレン3Dモデル(フロート海水P用)追加
 ・緊急停止スイッチ位置追加 (YDSBD-14012) (他社)
 2改 (2014. 7. 18)
 ・コネクタ位置の表記を訂正する (YDSBD-14015) (他社)
 3改 (2016. 4. 11)
 ・サービスバージョンを設定 (YDSBD-16002) (他社)
 REV. 4(2018. 3. 20) CHANGE TOP COVER AND BELT COVER (YDSBD-18002)



NOTE
 1. MOUNTING BLOCKS ARE COMPRESSED ABOUT 4mm BY ENGINE WEIGHT. DIMENSIONS OF MOUNTING BLOCK IN THIS DRAWING ARE WITHOUT ANY DEFORMATION.
 2. MOUNTING BLOCKS ARE EQUIPPED FOR STANDARD ACCESSORY.
 3. THE FIGURES MARKED WITH * SHOW THE DIMENSIONS WITH U-MIXING ELBOW OR OPTIONAL PARTS.
 4. ● SHOWS THE CENTER OF GRAVITY.

SPECIFICATIONS			
Model	4JH57	4JH45	
Continuous Power (ISO 8665)	kW/min ⁻¹	38.1 / 2907 30.1 / 2907	
Fuel Stop Power	Propeller shaft (ISO 8665)	kW/min ⁻¹	---
	Crankshaft (ISO 8665)	kW/min ⁻¹	41.9 / 3000 33.1 / 3000
Reduction ratio		2.232.49 --- 2.232.49 ---	
Dry mass	kg	Approx. 264	
Direction of rotation at output coupling (Forward)		BOTH	

SEC. MANAGER 北本	MODEL 4JH 57 4JH 45	SCALE 1:10
CHECKED 北本	SPECIALIST	MATERIAL
DESIGNED Y. Nuta	DATE: Y.M.D 2014.3.17	NAME OUTLINE, 4JH57-SD60
		CODE B2-29675-0061