

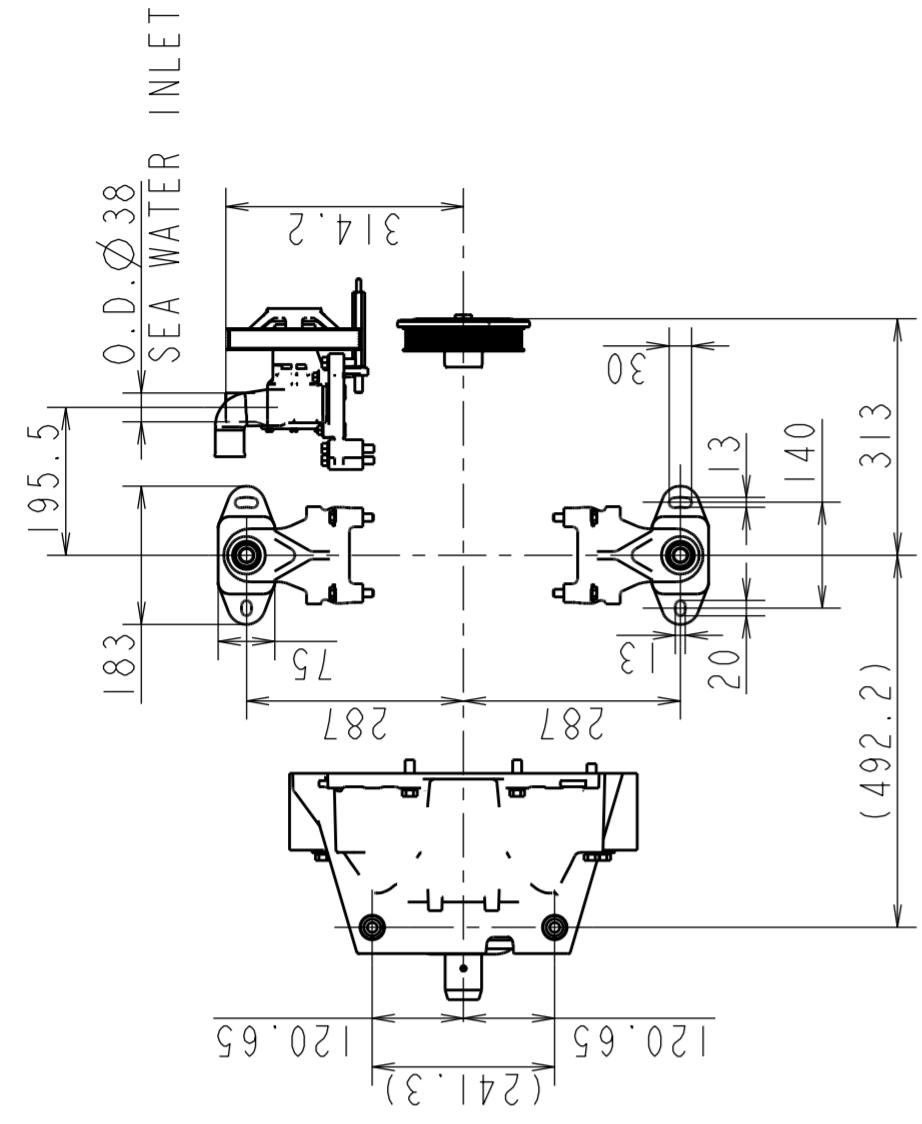
FILE NAME: B2-20674-001X.DRW

3RD ANGLE PROJECTION

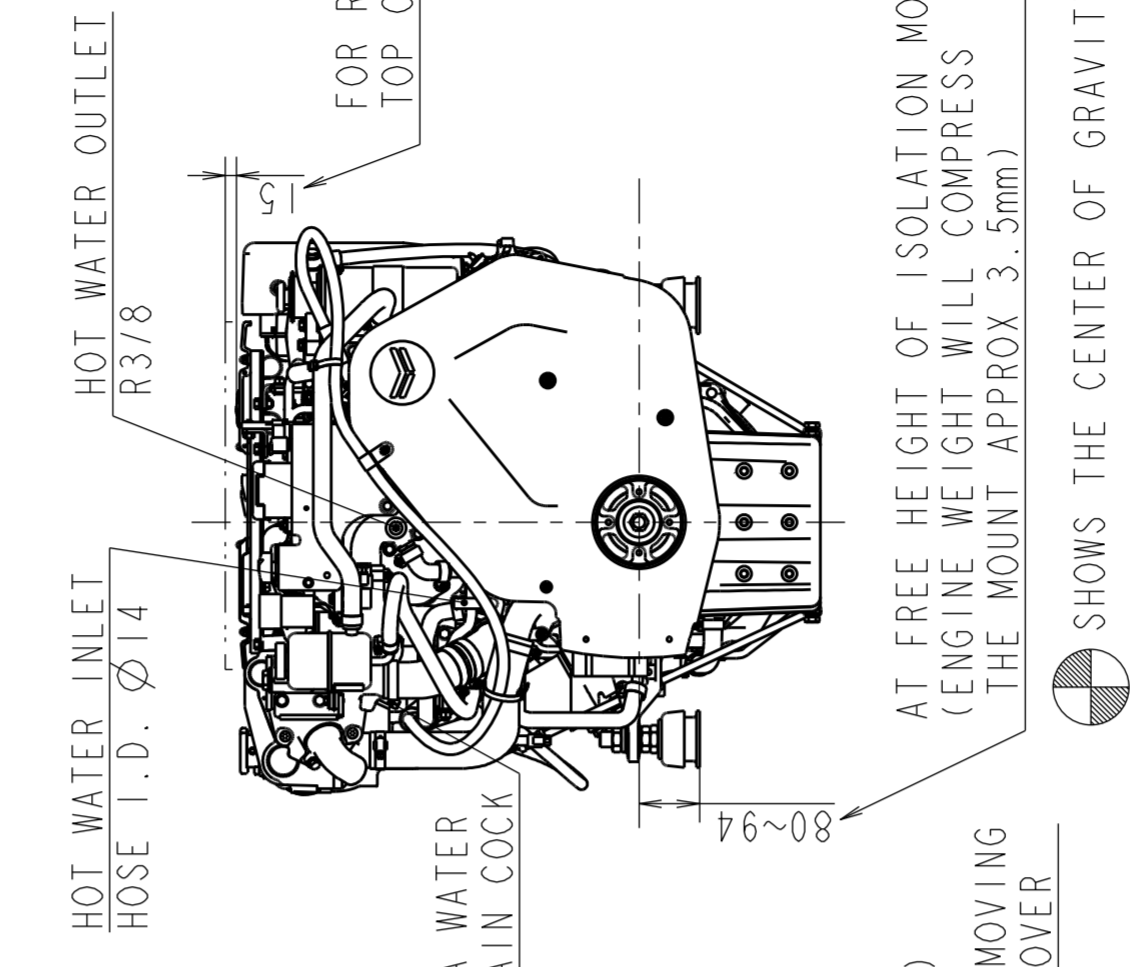
CAREER

RELEASE OF DRAWING FOR MASS PRODUCTION (YDSBD-18013)

NEED	PURCHASING SPECIFICATION	REQUEST FOR APPROVAL	DELIVERY DRAWING	INSPECTING STANDARD	QC-PROCESS
<p>3D-CAD NOTICE GEOMETRICAL TOLERANCE KIND OF TOLERANCE TOLERANCE SYMBOL FINISH SYMBOL SURFACE TOLERANCE SYMBOL SURFACE TOLERANCE SYMBOL SURFACE TOLERANCE SYMBOL SURFACE TOLERANCE SYMBOL SURFACE TOLERANCE SYMBOL SURFACE TOLERANCE SYMBOL SURFACE TOLERANCE SYMBOL</p>					



VIEW B



AT FREE HEIGHT OF ISOLATION MOUNT (ENGINE WEIGHT WILL COMPRESS THE MOUNT APPROX 3.5mm)

SHOWS THE CENTER OF GRAVITY.

MANAGER

量産用

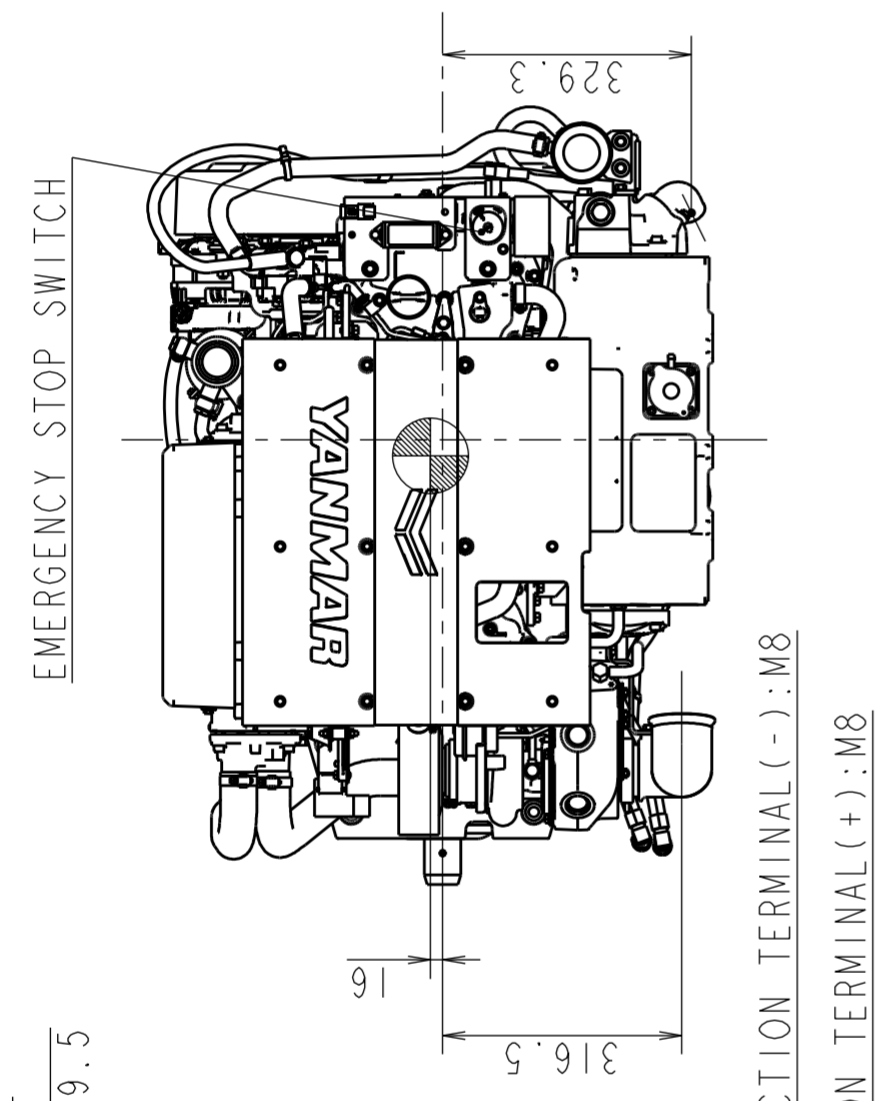
FOR MASS PRODUCTION

SEC. MANAGER	DESIGNED	DRAWN	DATE: Y.M.D.	MODEL	4LV 4LV 4LV 4LV	4LV 4LV 4LV 4LV	SCALE	1:10
CHECKED	CHECKED	SPECIALIST	2018.8.3	QTY	250 Z Z Z Z	230 Z Z Z Z	MATERIAL	-
			DESIGNED	DESIGNED				DATE: Y.M.D.
			岡佐	岡佐				2018.8.3
								4LV 4LV 4LV 4LV
								カシヤク
								4LV 4LV 4LV 4LV
								カシヤク
								4LV 4LV 4LV 4LV
								カシヤク
								4LV 4LV 4LV 4LV
								カシヤク
								4LV 4LV 4LV 4LV
								カシヤク
								4LV 4LV 4LV 4LV
								カシヤク
								4LV 4LV 4LV 4LV
								カシヤク
								4LV 4LV 4LV 4LV
								カシヤク
								4LV 4LV 4LV 4LV
								カシヤク
								4LV 4LV 4LV 4LV
								カシヤク
								4LV 4LV 4LV 4LV
								カシヤク

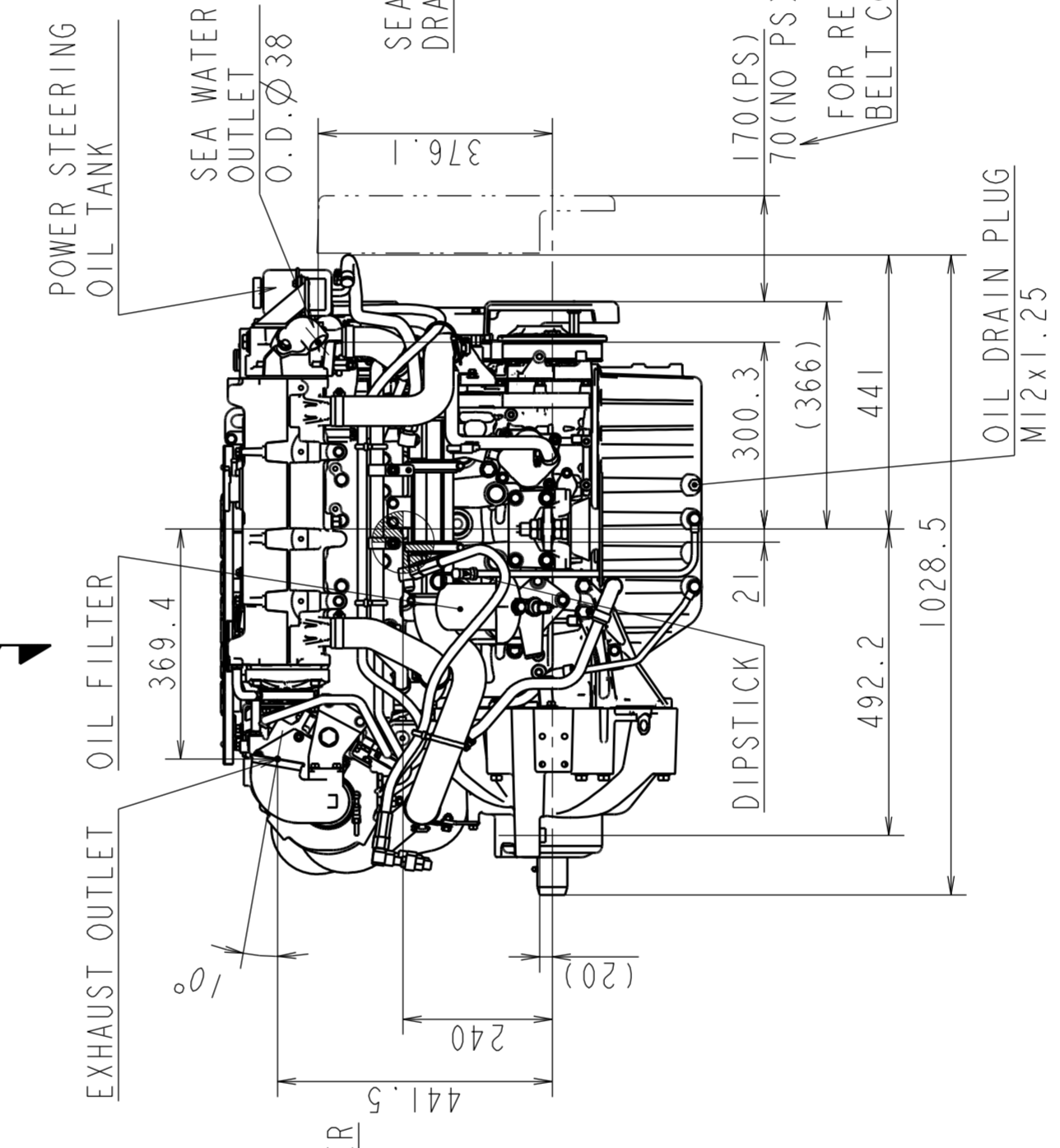
4LV ENGINE OUTLINE

YANMAR
 YANMAR CO., LTD. DEVELOPMENT DIV.

CODE B2-20674-0010
 A2

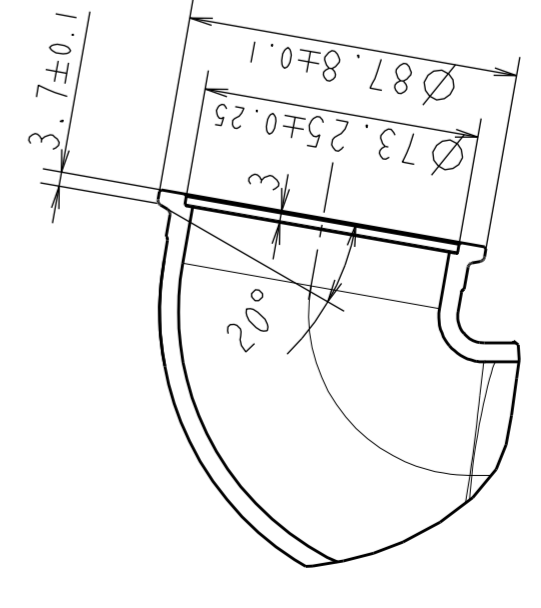


VIEW A



SPECIFICATIONS

MODEL	4LV150Z	4LV170Z	4LV195Z	4LV230Z	4LV250Z
Continuous Power	100 / 3392	114 / 3392	130 / 3392	154 / 3683	168 / 3683
Fuel Stop Power	110 / 3500	125 / 3500	143 / 3500	169 / 3800	184 / 3800
Engine Mass	kg Approx. 334				
Direction Of Propeller Shaft Rotation	Counter-clockwise				



EXHAUST OUTLET (SCALE 1:2)