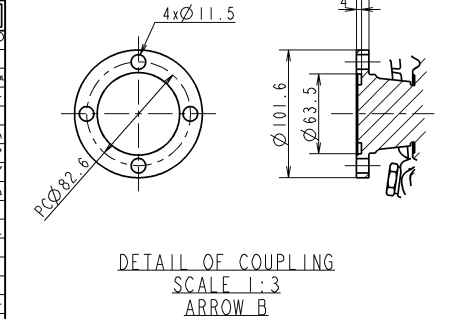
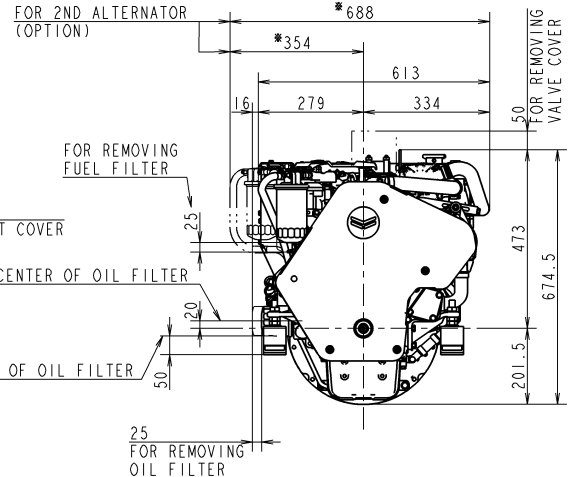
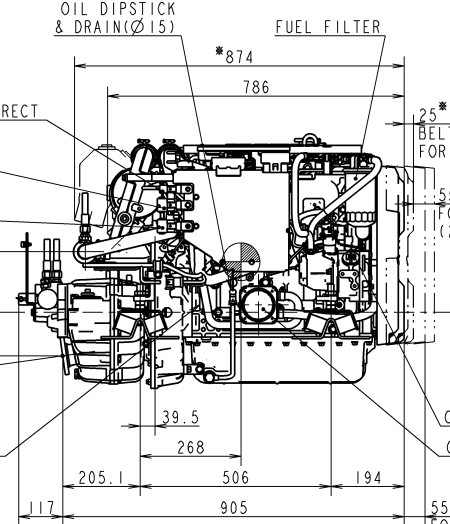
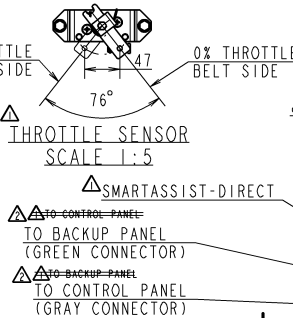
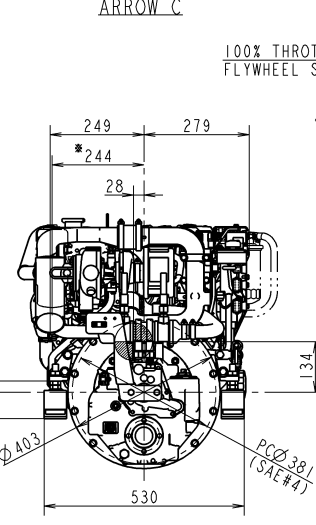
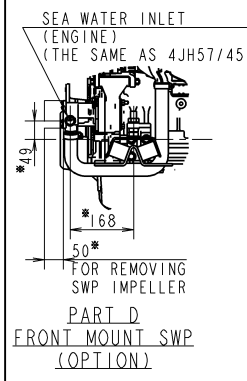
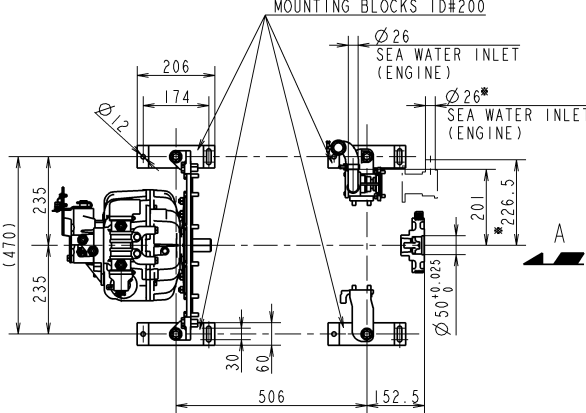
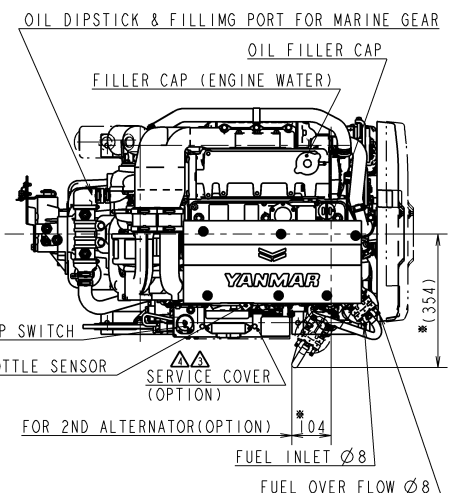
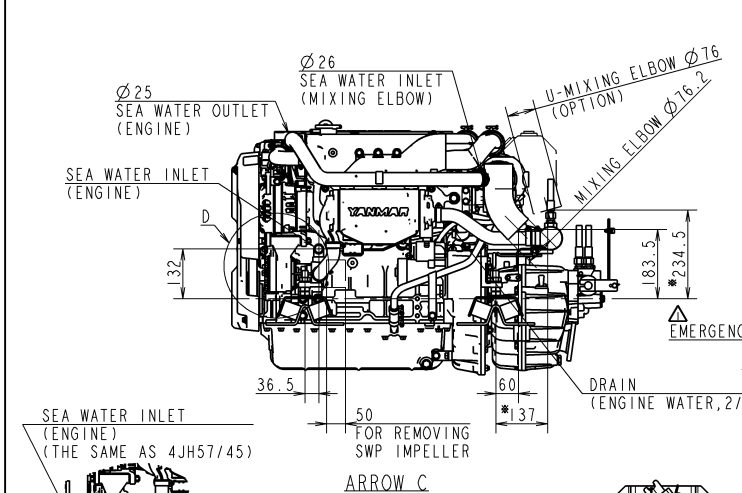
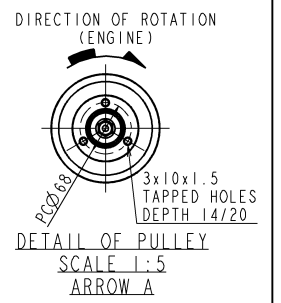


CAREER

図1形 YDSBD-14004に於て本機取替する。
 1改(2014.6.30)
 ・スロトルセン付位置追加
 ・ベルトイン30モナル(プロト小取替用)追加
 ・緊急停止スイッチ位置追加 (YDSBD-14012)(船田)
 2改(2014.7.18)
 ・コネクタ位置の修正(訂正) (YDSBD-14015)(船田)
 3改(2016.4.11)
 ・サービスカバーオプション指定
 ・減速追加 (YDSBD-16002)(船田)
 REV.4(2018.3.20) CHANGE TOP COVER AND BELT COVER (YDSBD-18002)



NOTE
 1. MOUNTING BLOCKS ARE COMPRESSED ABOUT 4mm BY ENGINE WEIGHT.
 2. DIMENSIONS OF MOUNTING BLOCK IN THIS DRAWING ARE WITHOUT ANY DEFORMATION.
 3. THE FIGURES MARKED WITH * SHOW THE DIMENSIONS WITH U-MIXING ELBOW OR OPTIONAL PARTS.
 4. ● SHOWS THE CENTER OF GRAVITY.

SPECIFICATIONS			
Model	4JH110	4JH80	
Continuous Power(ISO 8665)	kW/min ⁻¹ 73.6 / 3101	53.5 / 3101	
Fuel Stop Power	Propeller shaft(ISO 8665)	kW/min ⁻¹ ---	---
	Crankshaft(ISO 8665)	kW/min ⁻¹ 80.9 / 3200	58.8 / 3200
Reduction ratio	1.93 △2.29 2.48 △2.71 1.93 △2.29 2.48 △2.71		
Dry mass	kg	Approx.262	
Direction of Rotation at Output Coupling (Forward)	BOTH		

SEC. MANAGER 北本	CHECKED 北本	DESIGNED Y. Nuta	DRAWN A. Hori	DATE: Y.M.D 2014.3.17	MODEL 4JH110 4JH80	QTY -	SCALE 1:10	MATERIAL
NAME 4JH110-ZF25A-M-SHIFT					REV. 1改 2改 3改 (REV. 4)			
YANMAR					CODE B2-29677-0041	DRAWN SIZE A2		

MANAGER: 1110

YANMAR CO., LTD. DEVELOPMENT DIV.