



PARTS CATALOG

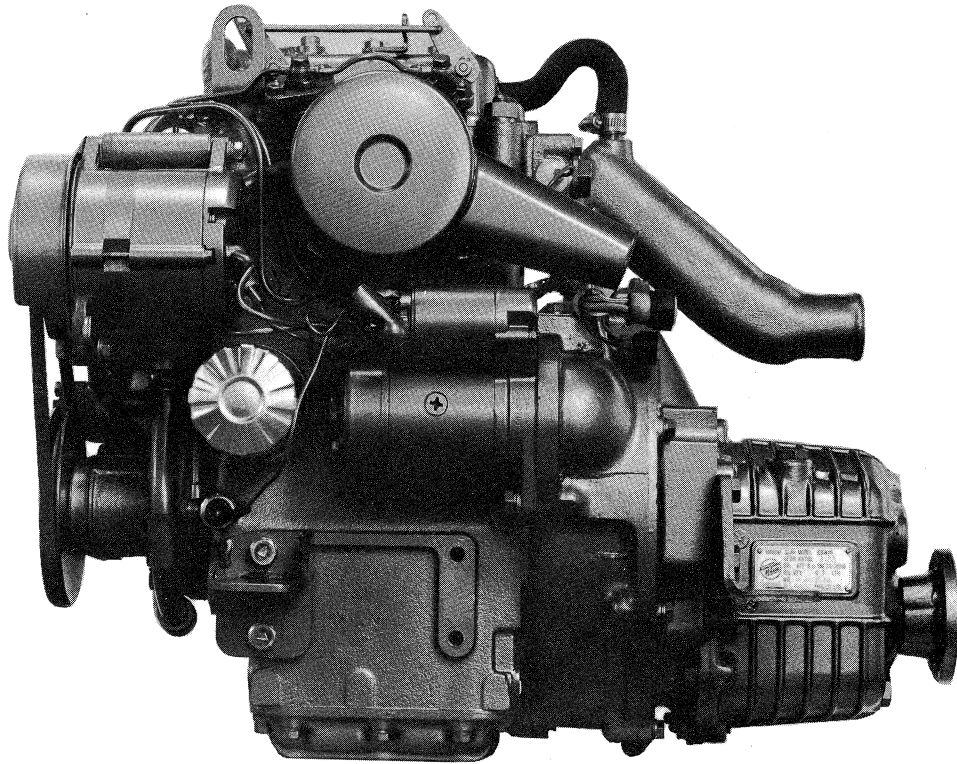
Published

2008/7 (Jul.)

0CR10-G09108

Introduction

1. This is the parts catalog for 2QM15 Diesel engine.
(Parts catalog No. 000Y00R0918)
2. This parts catalog does not contain the technical data needed for maintenance service.
3. The illustrations used in this parts catalog have been simplified for clarity.
4. The contents of this parts catalog are subject to change without notice.
5. Be sure to use only Yanmar genuine part for repairs. If imitation parts are used, it may cause engine defects.



First Published: October, 1977

First Revised: January, 1979

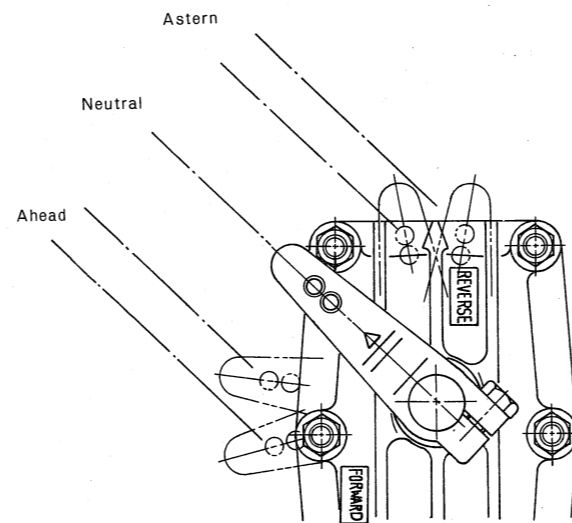
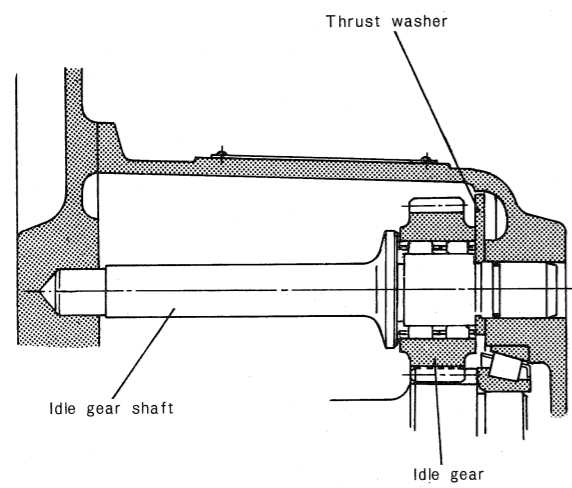
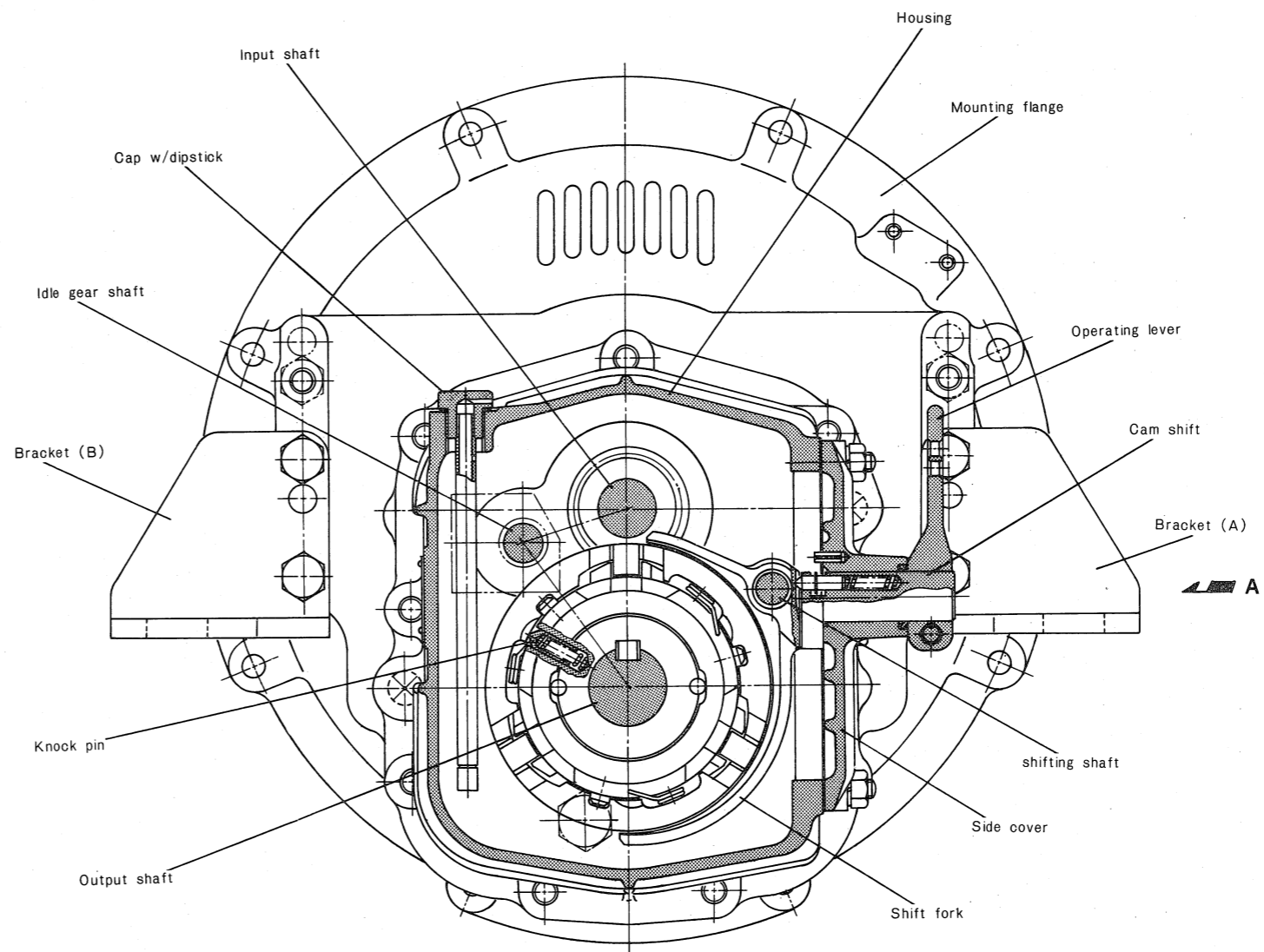
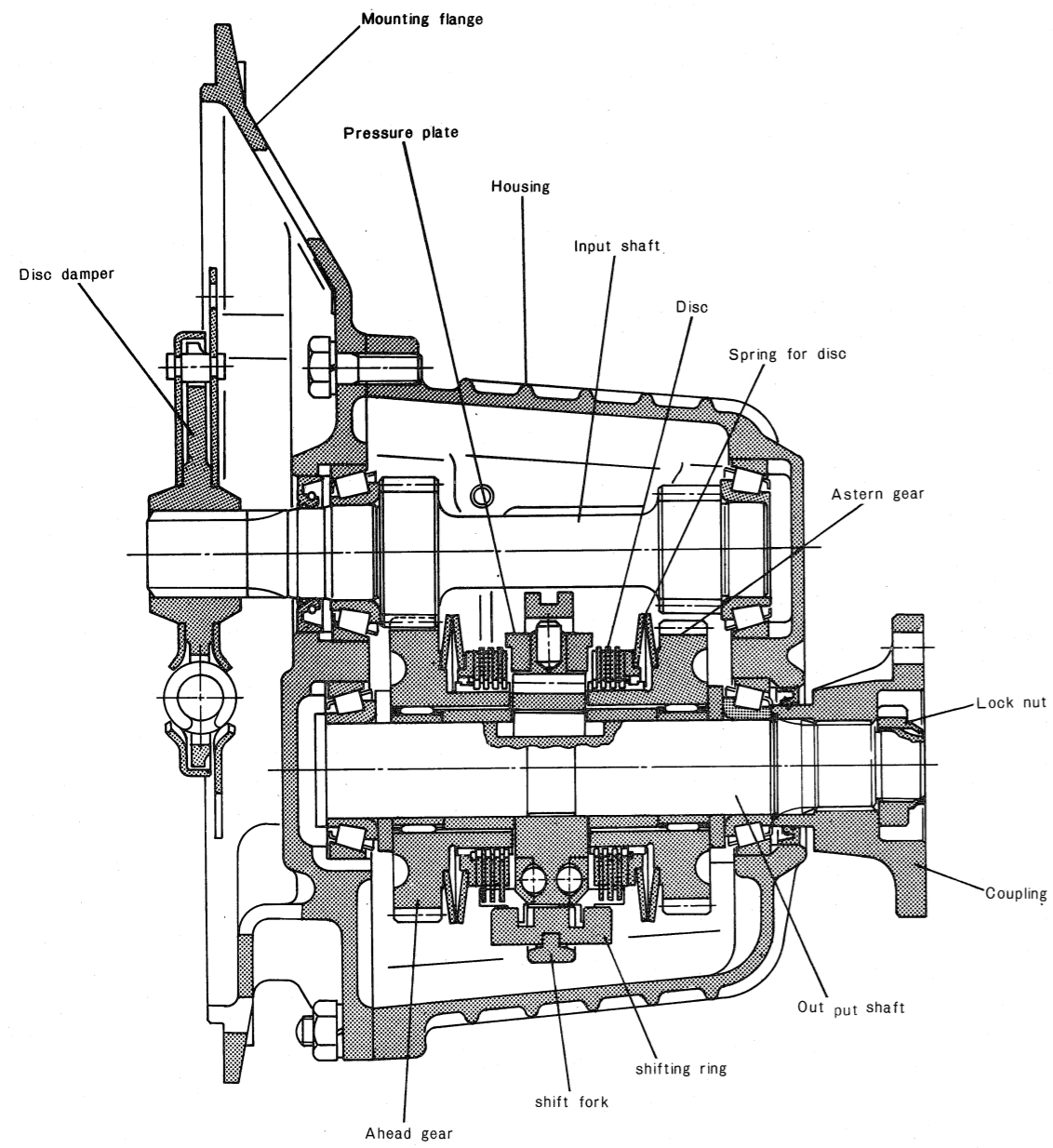
Second Revised: August, 1980

MODEL **2QM15**

August, 1980

Pub. No. 2K016A0183

CLUTCH SECTIONAL VIEW



VIEW "A"

CONTENTS

MODEL : 2QM15
PC NO : 0CR10-G09108

Fig.No. GROUP NAME
2QM15

Fig.No. GROUP NAME

1. CYLINDER BLOCK
2. GEAR HOUSING
3. CYLINDER HEAD
4. SILENCER & EXHAUST MANIFOLD
5. CAMSHAFT
6. MAIN METAL & CRANKSHAFT
7. PISTON & CONNECTING ROD
8. LUB.OIL SYSTEM
9. C.W.PUMP & BILGE PUMP(OPTIONAL)
10. COOLING WATER SYSTEM
11. FUEL INJECTION PUMP
12. FUEL INJECTION VALVE
13. FUEL SYSTEM
14. GOVERNOR
15. REMOTE-CONTRLROL DEVICE(OPTIONAL)
16. STARTING MOTOR & GENERATOR
17. INSTRUMENT PANEL
18. CLUTCH HOUSING
19. INPUT SHAFT
20. OUTPUT SHAFT
21. TOOL
22. SPECIAL TOOL (A)(OPTIONAL)
23. SPECIAL TOOL (B)(OPTIONAL)
24. STARTING MOTOR COMPONENT PART
25. GENERATOR COMPONENT PART
26. GENERATOR COMPONENT PART(OPTIONAL)
27. PACKING KIT(OPTIONAL)
28. SPAIR PART KIT

Fig.1. CYLINDER BLOCK

(A)=2QM15

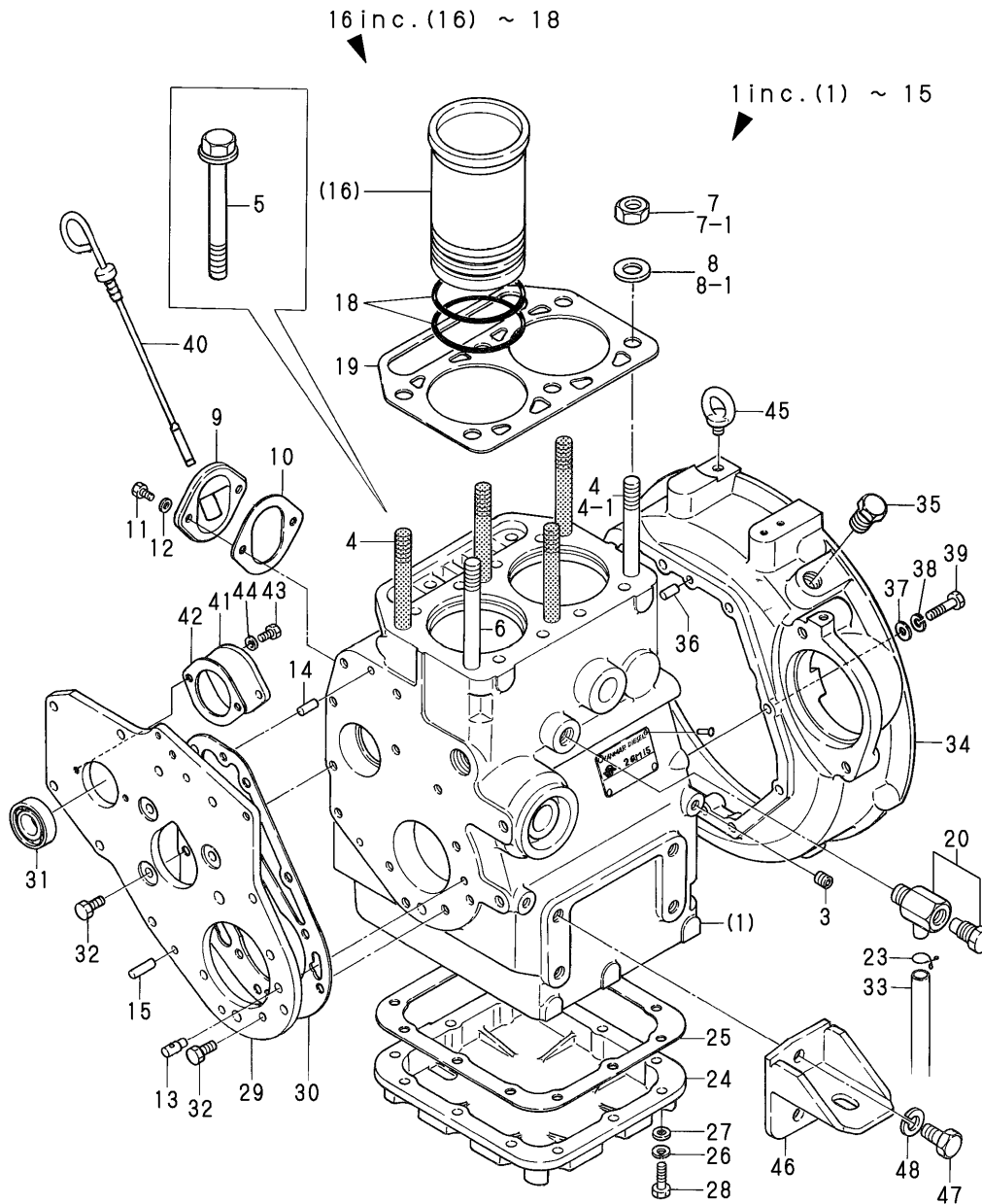
(B)=

(C)=

(D)=

(E)=

(F)=



REF.	LEV.	PARTS NO.	DESCRIPTION	QTY						I	R
				(A)	(B)	(C)	(D)	(E)	(F)		
1	1	724070-01560	BLOCK ASSY, CYLINDER	1							
3	2	124060-01050	PLUG PT1/8	6							
4	2	124060-01200	STUD, CYL. HEAD	5							
4-1	2	124060-01200 (A=*1979.11)	STUD, CYL. HEAD	1							K
5	2	124060-01201 (A=*1979.11)	STUD, CYL. HEAD	4							W
6	2	124160-01210	STUD, CYL. HEAD	1							
7	2	104300-01220	NUT, CYL HEAD	6							
7-1	2	104300-01220 (A=*1979.11)	NUT, CYL HEAD	2							K
8	2	103338-01240	WASHER	6							
8-1	2	103338-01240 (A=*1979.11)	WASHER	2							K
9	2	124070-34830	GUIDE, DIPSTICK	1							
10	2	124060-34841	GASKET	1							
10-1	2	124060-34842 (A=EXXX)	GASKET	1							N
11	2	26116-060122	BOLT 6X12	2							
12	2	22117-060000	WASHER 6	2							
13	2	124060-01540	CONNECTOR	1							
14	2	22312-080160	PARALLEL PIN 8X 16	1							
15	2	22312-080250	PIN 8X25, STRAIGHT	1							
16	1	724070-01900	LINER W/PACKING	2							
18	2	124060-01300	GASKET	4							
19	1	124060-01330	GASKET, CYL. HEAD	1							
20	1	43600-500290	COCK 1/4	1							
23	1	124450-44560	CLAMP	1							
24	1	124070-01720	PAN, LUB OIL	1							
25	1	124060-01741	GASKET	1							
25-1	1	124060-01742 (A=EXXX)	GASKET	1							R
26	1	189040-01860	SPRING WASHER 8	12							
27	1	22113-080000	WASHER 8	12							
28	1	26113-080252	BOLT 8X 25	12							
29	1	124070-01550	FLANGE	1							
30	1	124070-01560	GASKET	1							
31	1	24101-060044	BALL BEARING #6004	1							
32	1	26116-080182	BOLT 8X18	8							
33	1	23061-070300	PIPE 7X 300	1							
34	1	124070-01600	FLANGE, MOUNTING	1							
35	1	23883-180002	PULG M18, HEX.	1							
36	1	22312-080160	PARALLEL PIN 8X 16	2							
37	1	22117-080000	WASHER 8	8							
38	1	22217-080000	SPRING WASHER 8	8							
39	1	26116-080302	BOLT 8X30	8							
40	1	124070-34800	DIPSTICK, LUB. OIL	1							
41	1	124070-01400	SIDE COVER, CYLINDER	1							
42	1	124060-34841	GASKET	1							
42-1	1	124060-34842 (A=EXXX)	GASKET	1							N

N:Old $\begin{matrix} \leftarrow \text{Yes} \\ \text{No} \end{matrix}$ New, Q:Old $\begin{matrix} \leftarrow \text{No} \\ \text{Yes} \end{matrix}$ New, R:Old $\begin{matrix} \leftarrow \text{Yes} \\ \text{No} \end{matrix}$ New, S:Old $\begin{matrix} \leftarrow \text{No} \\ \text{Yes} \end{matrix}$ New, W:Add, Z:Discontinued, F:Interchangeable by set, K:Q'ty Change
 ++ CONTINUE ++
 (C)Copy Rights YANMAR CO.,LTD.

Fig.1. CYLINDER BLOCK

(A)=2QM15

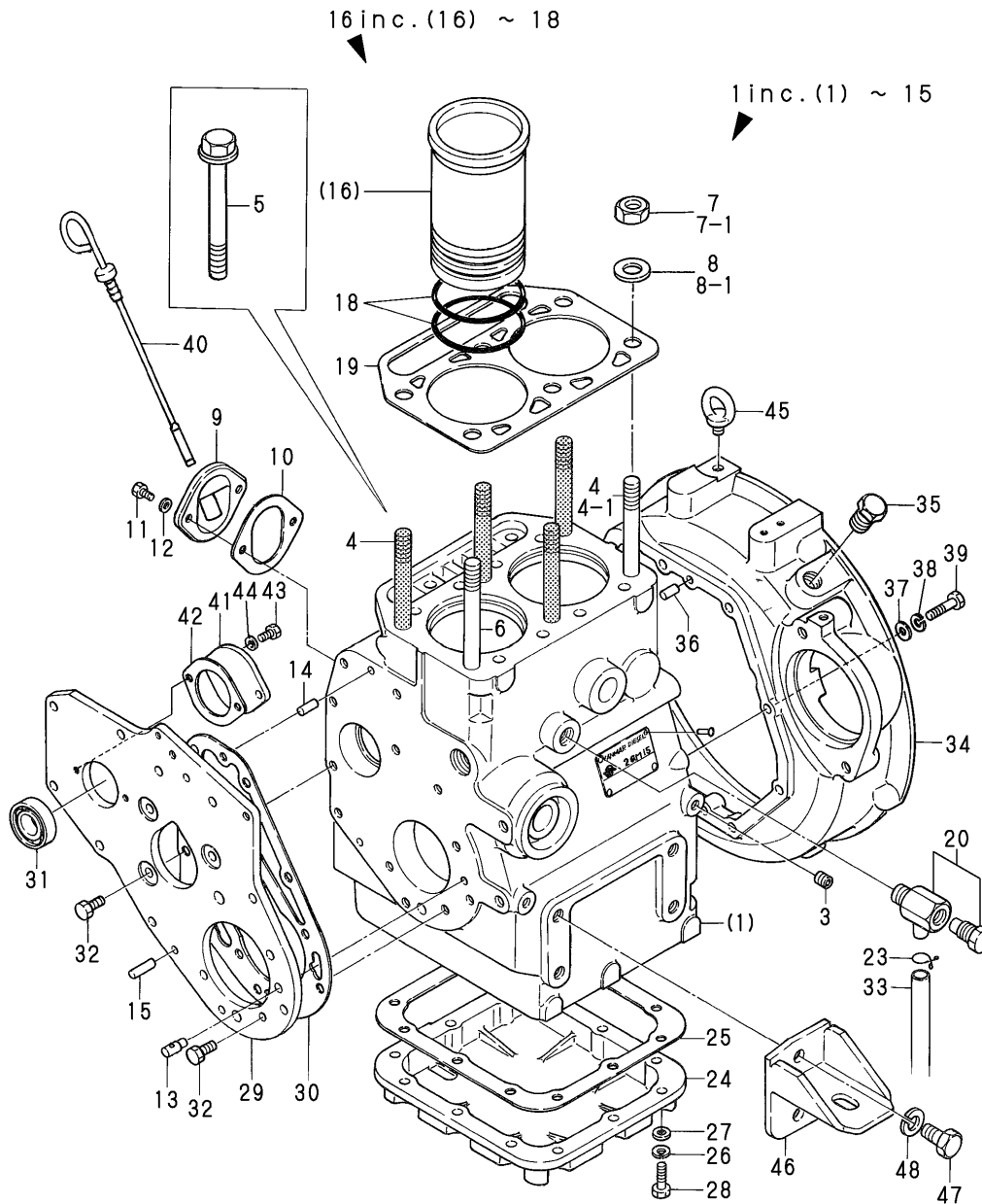
(B)=

(C)=

(D)=

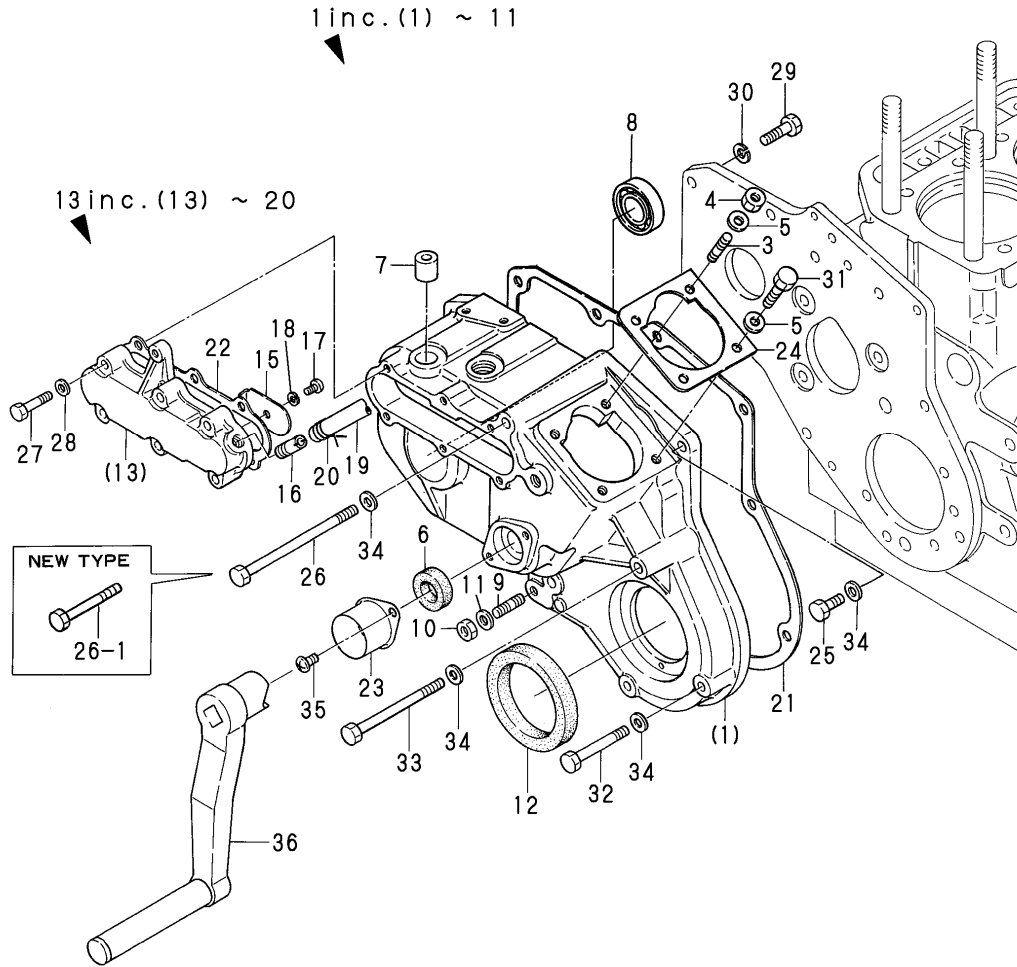
(E)=

(F)=



REF.	LEV.	PARTS NO.	DESCRIPTION	QTY						I	R
				(A)	(B)	(C)	(D)	(E)	(F)		
43	1	26116-060142	BOLT M 6X 14	2							
44	1	43400-500400	SEAL WASHER 6	2							
45	1	26610-100002	EYEBOLT	1							
46	1	124070-08110	BRACKET, ENGINE	2							
47	1	26116-120302	BOLT M12X 30 PLATED	4							
48	1	22217-120000	SPRING WASHER	4							

Fig.2. GEAR HOUSING



OCR10-G09108 2. GEAR HOUSING

(A)=2QM15

(B)=

(C)=

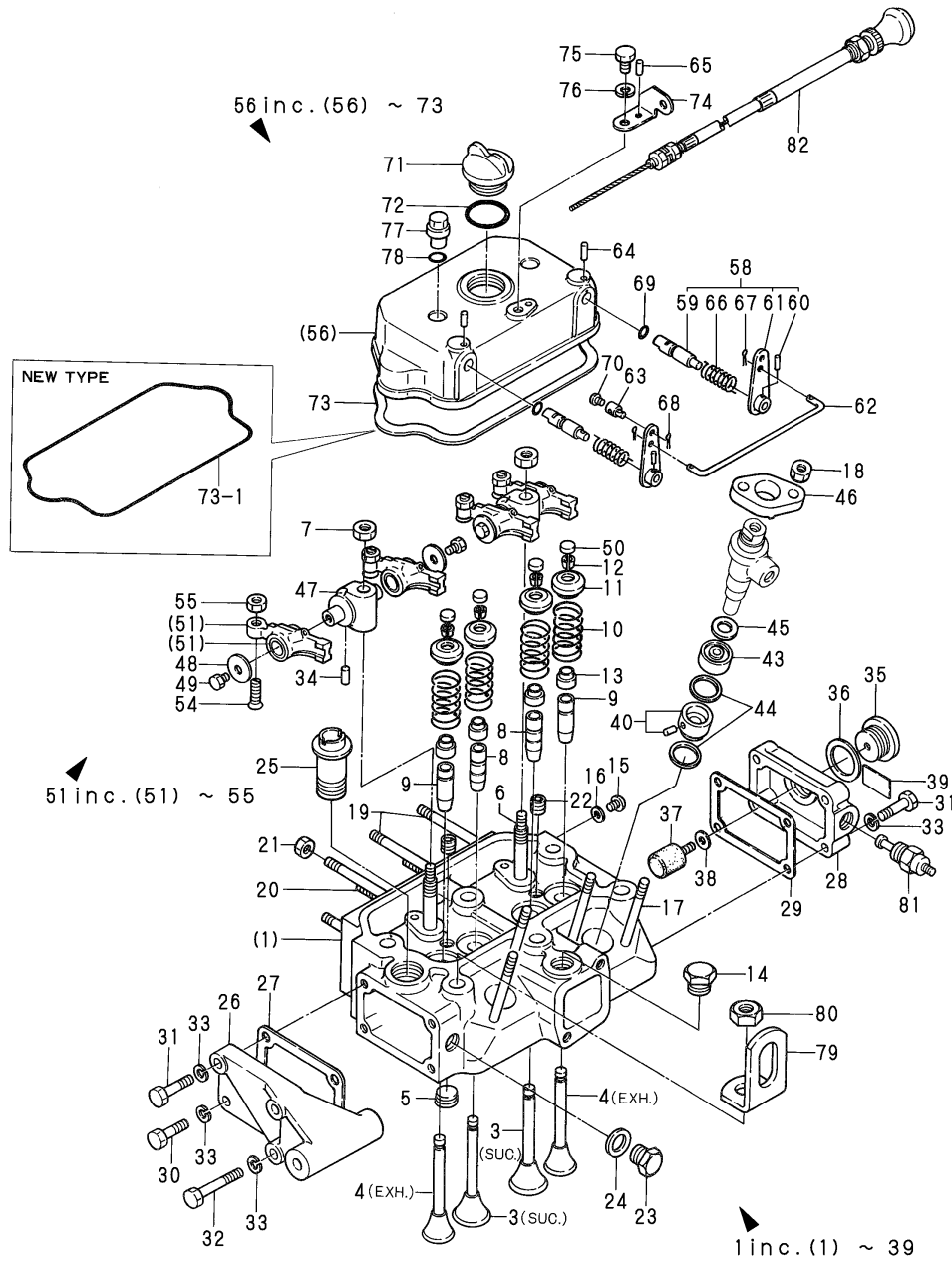
(D)=

(E)=

(F)=

REF.	LEV.	PARTS NO.	DESCRIPTION	QTY						I	R
				(A)	(B)	(C)	(D)	(E)	(F)		
1	1	724070-01610	HOUSING ASSY, GEARS	1							
3	2	26226-080222	STUD M 8X 22 PLATED	2							
4	2	26716-080002	NUT M 8	2							
5	2	43400-500410	SEAL WASHER 8S	4							
6	2	145410-46960	SEAL TC17 30 8, OIL	1							
7	2	124060-01900	BUSH	1							
8	2	24101-060044	BALL BEARING #6004	1							
9	2	26226-080352	STUD M 8X 35 PLATED	2							
10	2	26716-080002	NUT M 8	2							
11	2	22137-080000	WASHER 8, POLISHED	2							
12	1	124450-01800	OIL SEAL HTC588012	1							
13	1	724070-01620	COVER ASSY, GEAR CASE	1							
15	2	124070-03080	PLATE, SHELTER	1							
16	2	124770-11770	JOINT PT1/8	1							
17	2	26557-050102	SCREW M 5X 10	1							
18	2	22217-050000	SPRING WASHER 5	1							
19	2	124070-03100	PIPE, BREATHER	1							
20	2	124060-59101	SPRING	1							
21	1	124070-01510	GASKET, GEAR CASE	1							
22	1	124070-01530	GASKET	1							
23	1	124070-01850	COVER, SHAFT	1							
24	1	124550-51950	SHIM	1							
25	1	26116-080182	BOLT 8X18	1							
26	1	26116-081152	BOLT M 8X115 PLATED	1							
26-1	1	26116-080552	BOLT 8X55	1							S
(A=E/#84371)											
27	1	26116-060302	BOLT M 6X 30 PLATED	6							
28	1	22117-060000	WASHER 6	6							
29	1	26116-080252	BOLT M 8X 25 PLATED	4							
30	1	22217-080000	SPRING WASHER 8	4							
31	1	26116-080252	BOLT M 8X 25 PLATED	2							
32	1	26116-080552	BOLT 8X55	3							
33	1	26116-080902	BOLT M 8X 90 PLATED	1							
34	1	22117-080000	WASHER 8	6							
35	1	26557-060102	SCREW 6X10	2							
36	1	124070-76790	HANDLE, STARTING	1							

Fig.3. CYLINDER HEAD



Remarks
(1)OPTIONAL

(A)=2QM15

(B)=

(C)=

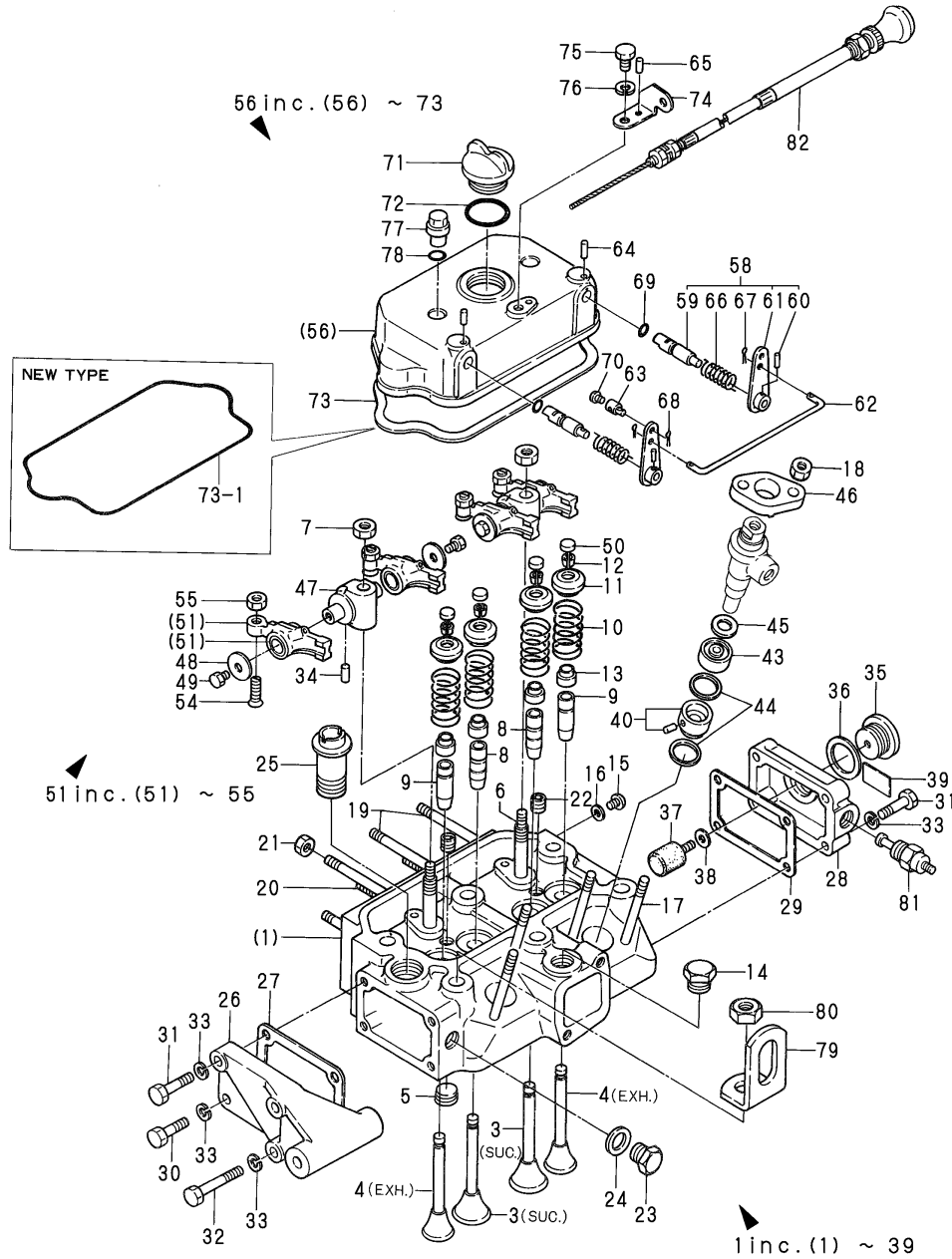
(D)=

(E)=

(F)=

REF.	LEV.	PARTS NO.	DESCRIPTION	Q'TY						I	R
				(A)	(B)	(C)	(D)	(E)	(F)		
1	1	724070-11700	HEAD ASSY, CYLINDER	1							
3	2	104200-11100	VALVE, SUCTION	2							
4	2	104200-11110	VALVE, EXHAUST	2							
5	2	23873-040000	PLUG PT 1/2	3							
6	2	104200-11350	STUD	2							
7	2	26736-100002	NUT M10	2							
8	2	124060-11160	GUIDE, VALVE	2							
9	2	124060-11170	GUIDE, VALVE	4							
10	2	124060-11120	SPRING, VALVE	4							
11	2	104200-11180	RETAINER, SPRING	4							
12	2	101158-11190	COTTER	4							
12-1	2	27310-070000	COTTER 7	4							R
(A=EXXX)											
13	2	124160-11340	SEAL, VALVE STEM	4							
14	2	124450-11320	PLUG U7/8	1							
15	2	26587-080102	SCREW M 8X 10	1							
16	2	23414-080000	GASKET 8, ROUND	1							
17	2	26216-080702	STUD M 8X 70 PLATED	4							
18	2	26716-080002	NUT M 8	4							
19	2	26213-081002	STUD M 8X100	4							
20	2	26213-081052	STUD M 8X105	2							
21	2	26713-080002	NUT, 8	6							
22	2	23873-020000	PLUG PT 1/4	2							
23	2	23883-160002	PLUG 16	1							
24	2	23414-160000	GASKET 16, ROUND	1							
25	2	121370-11750	JOINT	1							
26	2	124070-11650	COVER (F)	1							
27	2	124060-77170	GASKET	1							
28	2	124070-11670	COVER (R)	1							
29	2	124450-11681	GASKET	1							
30	2	26116-080202	BOLT M 8X 20 PLATED	1							
31	2	26116-080302	BOLT 8X30	5							
32	2	26116-080402	BOLT M 8X 40 PLATED	2							
33	2	22217-080000	SPRING WASHER 8	8							
34	2	124060-11280	PIN	2							
35	2	124220-09320	PLUG M25	1							
36	2	23414-250000	GASKET 25,ROUND	1							
37	2	27210-200300	ZINC, ANTI-CORROSIVE	1							
38	2	123210-09310	PACKING	1							
39	2	124224-09340	LABEL	1							
40	1	124070-11420	CHAMBER, FRONT	2							
40-1	1	124070-11400	CHAMBER, FRONT	2							N
(A=E/#87104)											
43	1	124070-11410	CHAMBER, REAR	2							
44	1	101204-11450	GASKET	4							
44-1	1	101204-11452	GASKET, CHAMBER	4							N
(A=EXXX)											
45	1	103854-11490	INSULATOR	2							
46	1	101147-11900	FLANGE	2							
47	1	124060-11260	SUPPORT, ROCKER ARM	2							
48	1	114060-11290	WASHER	4							

Fig.3. CYLINDER HEAD



(A)=2QM15

(B)=

(C)=

(D)=

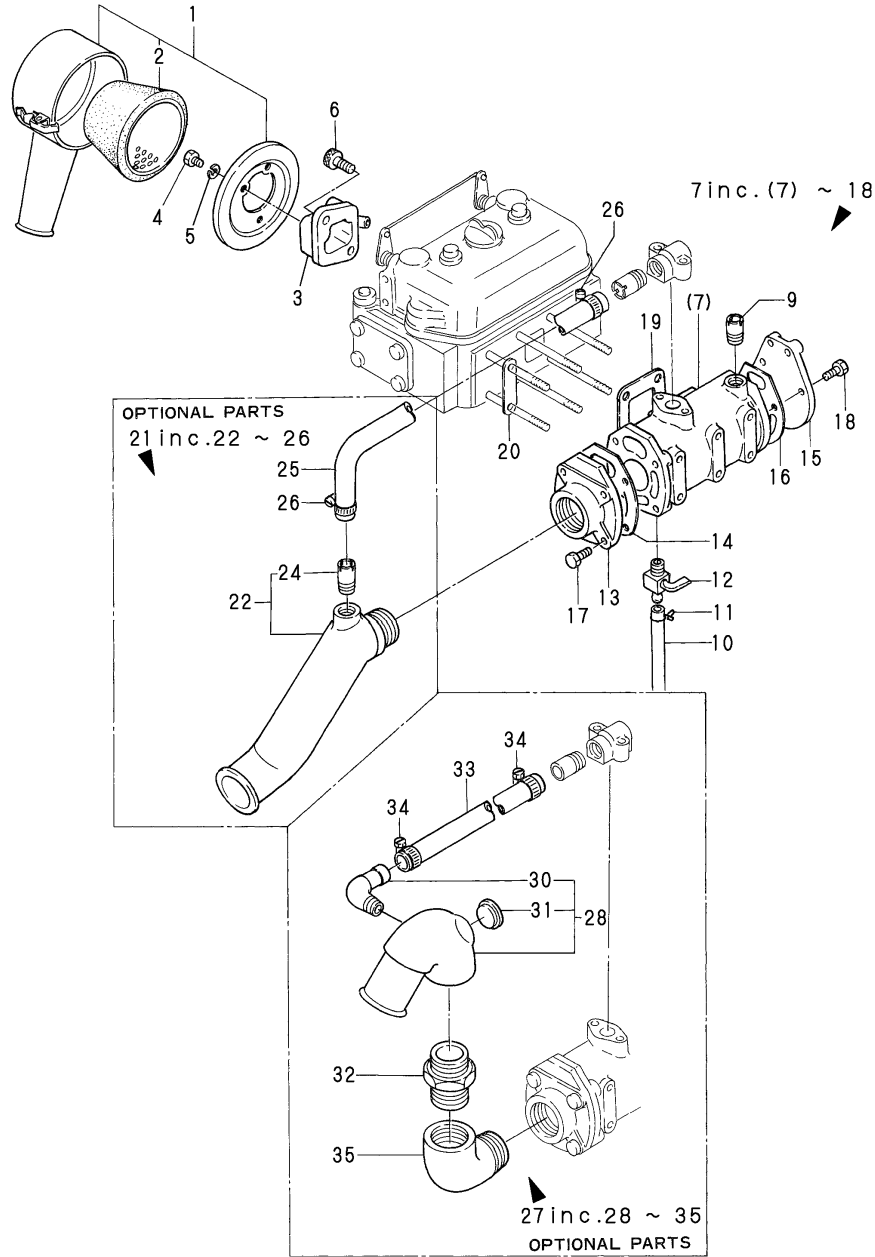
(E)=

(F)=

REF.	LEV.	PARTS NO.	DESCRIPTION	QTY						I	R
				(A)	(B)	(C)	(D)	(E)	(F)		
49	1	26116-060082	BOLT 6X8	4							
50	1	104211-11370	CAP, VALVE	4							
51	1	724060-11650	ARM, VALVE ROCKER	4							
54	2	101158-11230	SCREW, VALVE	4							
55	2	26756-080002	LOCK NUT M 8 PLATED	4							
56	1	724070-11520	BONNET ASSY, HEAD	1							
58	2	724070-03600	SHAFT, DECOMPRESSION	1							
59	3	104200-03600	SHAFT, DECOMPRESSION	2							
60	3	22322-030160	TAPER PIN 3X16	2							
61	3	124070-03750	LEVER, DECOMPRESSION	2							
62	2	124060-03760	CONNECTOR	1							
63	2	124070-03770	FITTINGS	1							
64	2	22312-030180	PARALLEL PIN 3X18	2							
65	2	22312-040100	PARALLEL PIN 4X10	1							
66	2	104200-03641	SPRING, DECOMPRESSION	2							
67	2	22417-200200	COTTER PIN 2.0X20	2							
68	2	22417-200200	COTTER PIN 2.0X20	1							
69	2	24311-000070	O-RING 1A P-7.0	2							
70	2	26557-040082	SCREW M 4X 8	1							
71	2	124160-01750	CAP	1							
72	2	24321-000350	O-RING 1A G-35.0	1							
73	2	124060-11310	GASKET	1							
73-1	2	124060-11311	GASKET, BONNET	1							S
(A=E XXXX)											
74	1	124070-03720	BRACKET, REMOTE-CON.	1							
75	1	26116-080142	BOLT 8X14	1							
76	1	22217-080000	SPRING WASHER 8	1							
77	1	124160-11360	KNOB	2							
78	1	24311-000120	O-RING 1A P 12.0	2							
79	1	124070-07230	LIFTER, ENGINE	1							
80	1	104300-01220	NUT, CYL HEAD	1							
81	1	46150-004530	SENDER	1							
81-1	1	46150-004531	SENDER	1							N
(A=E/#87678)											
82	1	104214-03700	CABLE, REMO-CON.	1							1

Remarks
(1)OPTIONAL

Fig.4. SILENCER & EXHAUST MANIFOLD



(A)=2QM15

(B)=

(C)=

(D)=

(E)=

(F)=

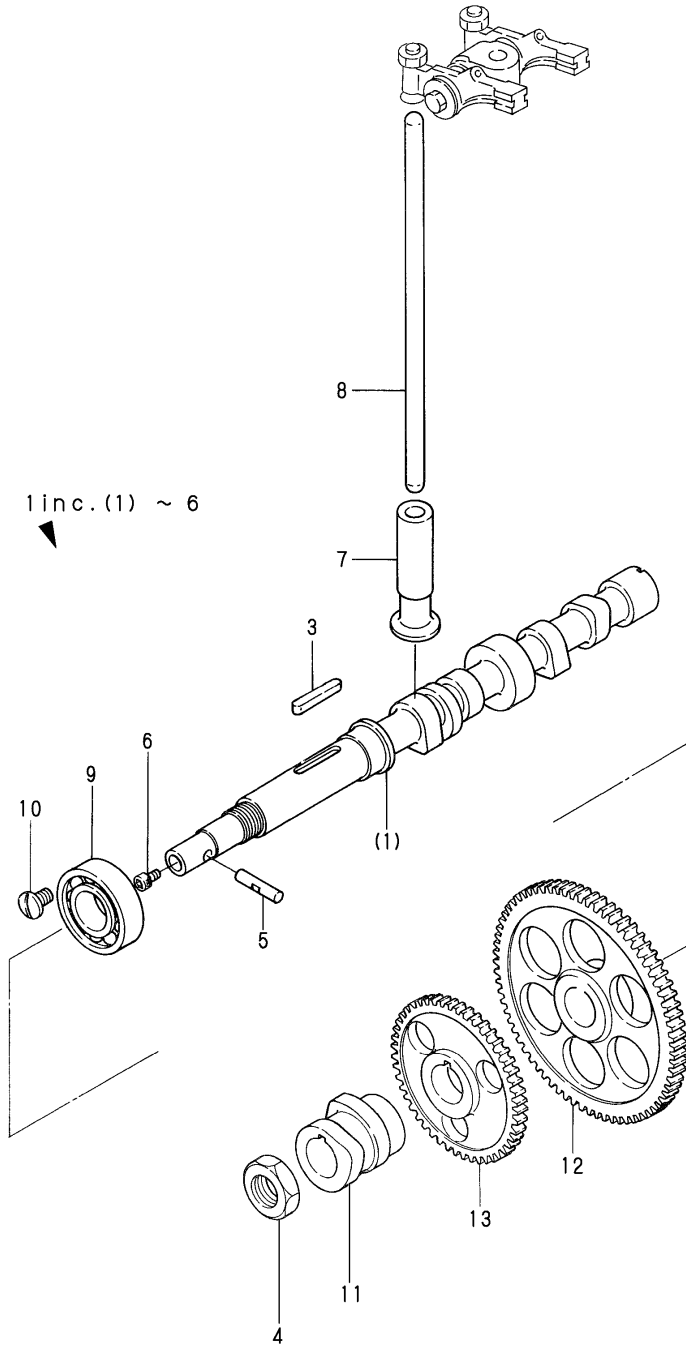
REF.	LEV.	PARTS NO.	DESCRIPTION	QTY						I	R
				(A)	(B)	(C)	(D)	(E)	(F)		
1	1	124770-12500	SILENCER, AIR INTAKE	1							
2	2	124770-12540	ELEMENT, CLEANER	1							
3	1	124070-12700	BRACKET	1							
4	1	26116-060142	BOLT M 6X 14	3							
5	1	22217-060000	SPRING WASHER 6	3							
6	1	26450-080182	BOLT M 8X 18	2							
7	1	724070-13500	MANIFOLD ASSY, EXH.	1							
9	2	124223-49300	JOINT, PIPE	1							
10	2	23061-100500	PIPE 10X 500	1							
11	2	124223-49750	BAND	1							
12	2	104200-11920	COCK	1							
13	2	124770-13150	CONNECTOR, EXHAUST	1							
14	2	124770-13170	GASKET	1							
15	2	124772-13160	COVER	1							
16	2	124770-13180	GASKET	1							
17	2	26113-080282	BOLT M 8X 28 PLATED	4							
18	2	26116-080222	BOLT M 8X 22 PLATED	4							
19	1	124450-11900	GASKET	1							
20	1	124770-13130	GASKET	1							
21	1	724070-13200	ELBOW ASY	1							1
22	2	124070-13500	ELBOW W/JOINT	1							1
24	3	124770-13690	JOINT 1/2, PIPE	1							1
25	2	124770-49040	PIPE, COOLING WATER	1							1
26	2	23000-025000	CLAMP 25	2							1
27	1	724070-13300	MIXINGELBOW ASSY	1							1
28	2	124070-13520	ELBOW, MIXING	1							1
30	3	124070-13300	ELBOW (PT3/8)	1							1
31	3	27233-250000	PLUG 25	1							1
32	2	104214-13580	JOINT	1							1
33	2	104564-49210	PIPE, COOLING WATER	1							1
34	2	23000-025000	CLAMP 25	2							1
35	2	23112-140000	STREET ELBOW PT1+1/2	1							1

Remarks
(1)OPTIONAL

Fig.5. CAMSHAFT

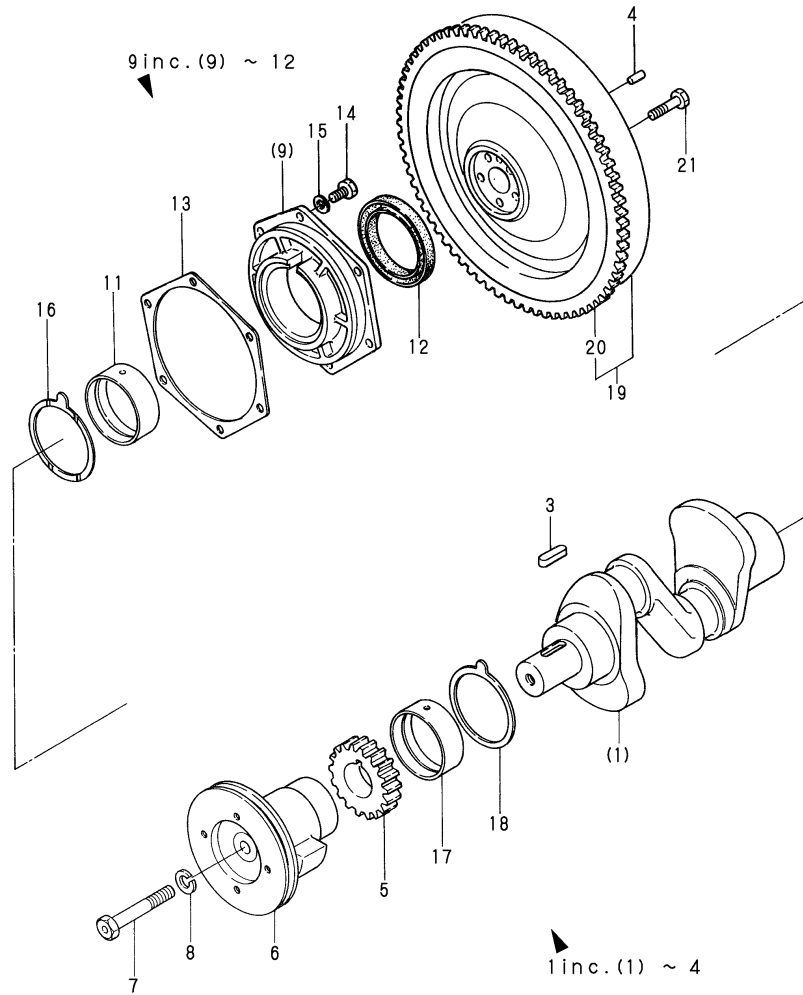
(A)=2QM15
(B)=
(C)=

(D)=
(E)=
(F)=



REF.	LEV.	PARTS NO.	DESCRIPTION	QTY						I	R
				(A)	(B)	(C)	(D)	(E)	(F)		
1	1	724070-14580	CAMSHAFT ASSY	1							
3	2	22512-050340	KEY 5X 34	1							
4	2	124450-35350	NUT M20	1							
5	2	124070-14760	PIN	1							
6	2	26450-050102	BOLT M 5X 10	1							
7	1	104200-14200	TAPPET	4							
8	1	124060-14400	ROD, PUSH	4							
9	1	24101-062054	BEARING #6205	1							
10	1	26587-080102	SCREW M 8X 10	1							
11	1	124070-14090	CAM, FUEL	1							
12	1	124070-14100	GEAR, CAMSHAFT	1							
13	1	124070-14600	GEAR	1							

Fig.6. MAIN METAL & CRANKSHAFT



OCR10-G09108 6. MAIN METAL & CRANKSHAFT

(A)=2QM15

(B)=

(C)=

(D)=

(E)=

(F)=

REF.	LEV.	PARTS NO.	DESCRIPTION	QTY						I	R
				(A)	(B)	(C)	(D)	(E)	(F)		
1	1	724060-21700	CRANKSHAFT ASSY	1							
3	2	22512-070300	KEY 7X 30	1							
4	2	22312-080160	PARALLEL PIN 8X 16	1							
5	1	124060-21200	GEAR, CRANKSHAFT	1							
6	1	124070-21650	V-PULLEY	1							
7	1	124070-21950	BOLT	1							
8	1	22217-120000	SPRING WASHER	1							
9	1	724060-02500	HOUSING ASSY,BEARING	1							
11	2	124060-02101	BEARING	1							
12	2	124060-02220	SEAL	1							
13	1	124060-02020	GASKET	1							
14	1	26116-080222	BOLT M 8X 22 PLATED	6							
15	1	22217-080000	SPRING WASHER 8	6							
16	1	124060-02110	BEARING THRUST	1							
17	1	124060-02101	BEARING	1							
18	1	124060-02110	BEARING THRUST	1							
19	1	124070-21590	FLYWHEEL W/RING GEAR	1							
20	2	104211-21600	GEAR, RING	1							
21	1	124160-21500	BOLT, REAMER	5							

Fig.7. PISTON & CONNECTING ROD

OCR10-G09108 7. PISTON & CONNECTING ROD

(A)=2QM15

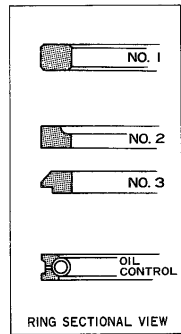
(B)=

(C)=

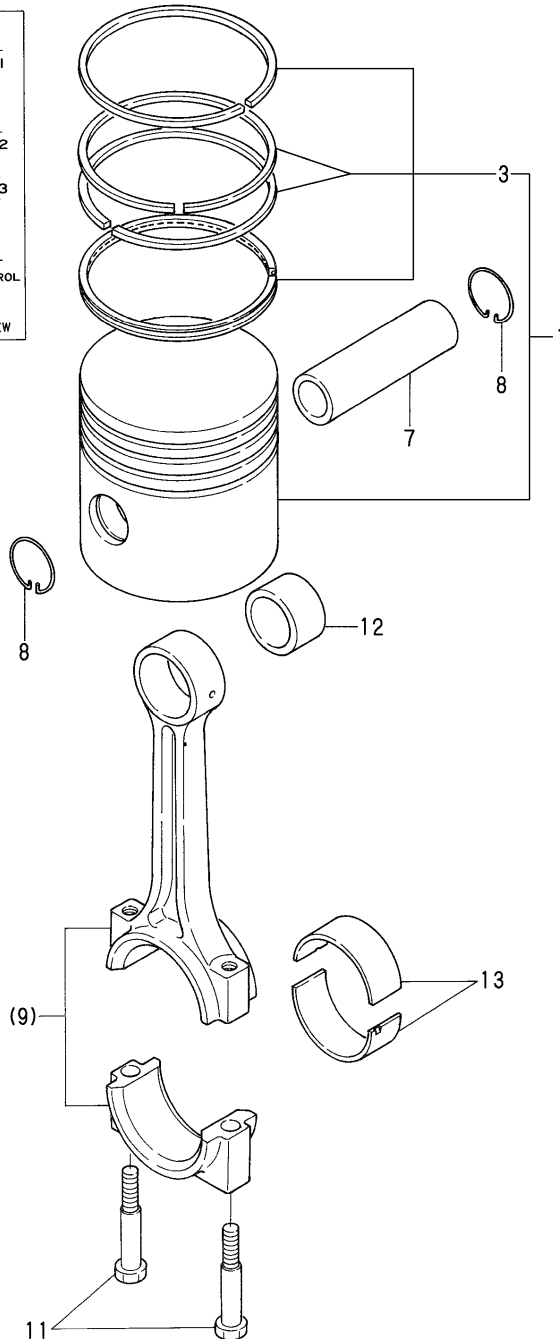
(D)=

(E)=

(F)=

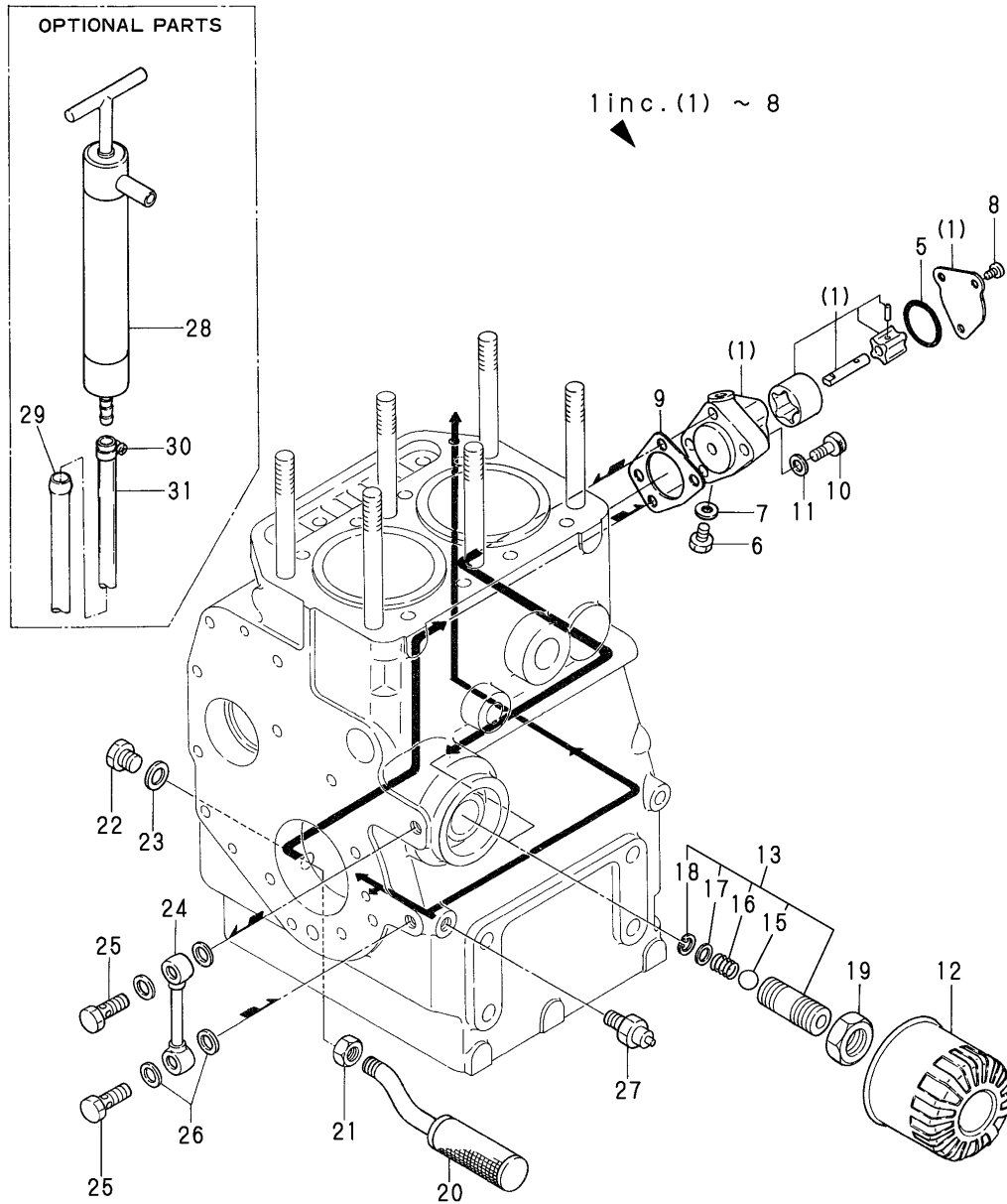


9 inc. (9) ~ 13



REF.	LEV.	PARTS NO.	DESCRIPTION	QTY						I	R	
				(A)	(B)	(C)	(D)	(E)	(F)			
1	1	724070-22720	PISTON W/RINGS	2								
1-1	1	724060-22722	PISTON W/RINGS	2								R
(A=EXXX)												
3	2	724070-22500	RING ASY	2								
7	1	104200-22300	PIN, PISTON	2								
8	1	172100-22400	CIRCLIP	4								
9	1	724660-23100	ROD ASSY, CONNECTING	2								
11	2	124060-23201	BOLT	4								
12	2	124060-23100	BUSH, PISTON PIN	2								
13	2	124060-23300	BEARING PIN	2								

Fig.8. LUB.OIL SYSTEM



(A)=2QM15

(B)=

(C)=

(D)=

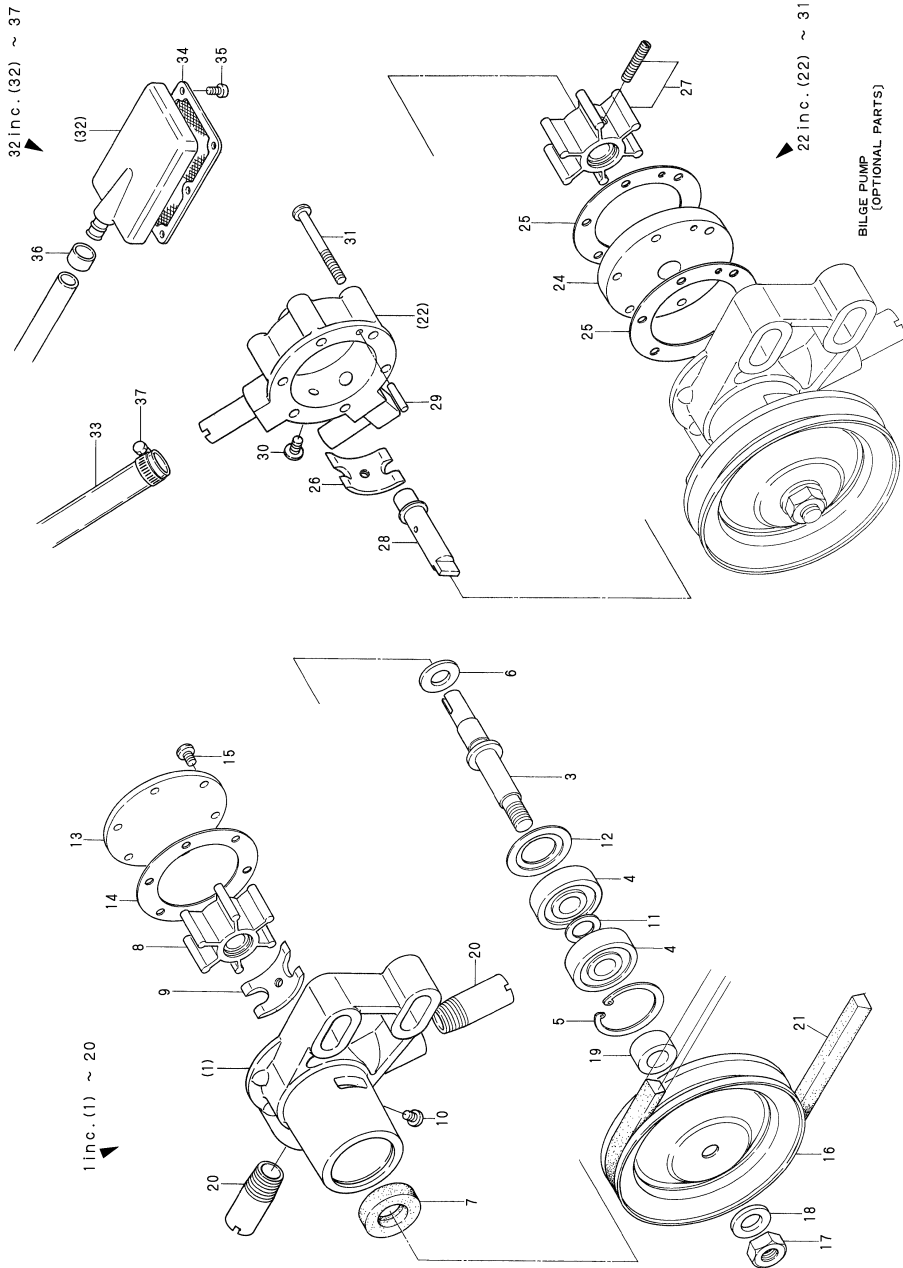
(E)=

(F)=

REF.	LEV.	PARTS NO.	DESCRIPTION	QTY						I	R
				(A)	(B)	(C)	(D)	(E)	(F)		
1	1	724070-32700	PUMP ASSY, LUB. OIL	1							
5	2	103338-32570	O-RING	1							
6	2	124060-32990	PLUG	2							
7	2	23414-080000	GASKET 8, ROUND	2							
8	2	26116-060142	BOLT M 6X 14	3							
9	1	124060-32091	GASKET	1							
9-1	1	124060-32092	GASKET	1							N
(A=EXXX)											
10	1	26450-080252	BOLT M 8X 25	2							
11	1	124060-32130	WASHER	2							
12	1	124450-35100	FILTER, LUB. OIL	1							
13	1	124450-35301	VALVE ASSY, CONTROL	1							
15	2	24190-100001	BALL 5/16, STEEL	1							
16	2	124450-35320	SPRING	1							
17	2	124450-35330	RETAINER	1							
18	2	22252-000100	CIRCLIP 10	1							
19	1	124450-35350	NUT	1							
20	1	124772-35060	PIPE, OIL INLET	1							
21	1	124450-35070	NUT PF1/4	1							
22	1	23893-020002	PLUG PF1/4	1							
22-1	1	121450-01960	PLUG PF1/4	1							N
(A=EXXX)											
23	1	23414-120000	GASKET 12, ROUND	1							
24	1	124060-39200	PIPE, LUB OIL	1							
25	1	124450-39140	BOLT, PIPE JOINT	2							
26	1	23414-120000	GASKET 12, ROUND	4							
27	1	124060-39451	SENDER, OIL PRESSURE	1							
28	1	104264-39700	PUMP ASSY, WASTE	1							1
29	1	104264-39710	PIPE, DRAIN	1							1
30	1	23010-012000	CLAMP 12	1							1
31	1	23061-081000	PIPE 8X1000	1							1

Remarks
(1)OPTIONAL

Fig.9. C.W.PUMP & BILGE PUMP(OPTIONAL)



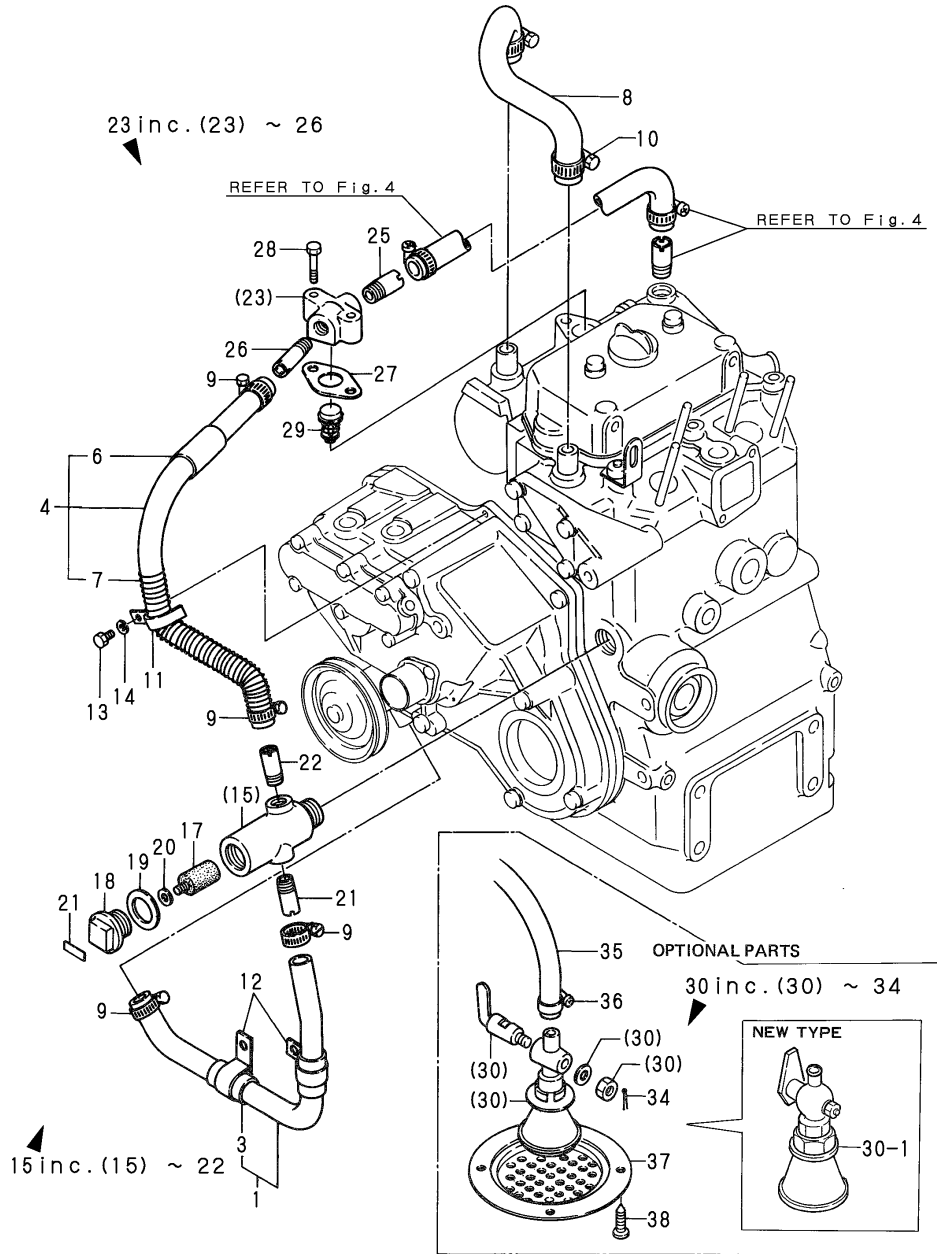
(A)=2QM15
(B)=
(C)=

(D)=
(E)=
(F)=

REF.	LEV.	PARTS NO.	DESCRIPTION	QTY						I	R
				(A)	(B)	(C)	(D)	(E)	(F)		
1	1	124070-42000	PUMP ASSY, C. WATER	1							
3	2	124070-42060	SHAFT, IMPELLER	1							
4	2	24107-062004	BALL BEARING	2							
5	2	22252-000300	CIRCLIP 30	1							
6	2	104211-42110	RING, WATER SEAL	1							
7	2	104211-42100	SEAL TC10 25 7, OIL	1							
8	2	104211-42070	IMPELLER, C. WATER	1							
9	2	104211-42050	CAM	1							
10	2	26554-040062	SCREW M 4X 6	1							
11	2	104211-42130	SPACER	1							
12	2	104211-42120	RETAINER	1							
13	2	104211-42080	COVER, C.W. PUMP	1							
14	2	104211-42090	GASKET	1							
15	2	26554-040082	SCREW M 4X 8	6							
16	2	124070-42400	V-PULLEY, C.W. PUMP	1							
17	2	26347-080002	U-NUT M 8	1							
18	2	124070-42420	WASHER	1							
19	2	124070-42410	COLLAR	1							
20	2	104211-49060	JOINT	2							
20-1	2	104271-49060 (A=*1980.01)	JOINT	2							N
21	1	104514-77350	V-BELT (HM-23)	1							
22	1	104214-46000	PUMP ASSY, BILGE	1							1
24	2	124070-46820	PLATE	1							1
25	2	104211-42090	GASKET	2							1
26	2	104211-42050	CAM	1							1
27	2	104214-46830	IMPELLER, BILGE PUMP	1							1
28	2	104214-46840	SHAFT, BILGE PUMP	1							1
29	2	22312-030140	PARALLEL PIN 3X14	1							1
30	2	26554-040122	SCREW M 4X 12	1							1
31	2	26557-040382	SCREW M4X 38	6							1
32	1	123220-46910	STRAINER, BILGE	1							
33	2	124223-46100	PIPE, BILGE	1							
34	2	123220-46922	STRAINER	1							
35	2	26554-060102	SCREW M 6X 10	6							
36	2	123220-46951	CLAMP	1							
37	2	23010-015000	CLAMP 15	1							

Remarks
(1)OPTIONAL

Fig.10. COOLING WATER SYSTEM



(A)=2QM15

(B)=

(C)=

(D)=

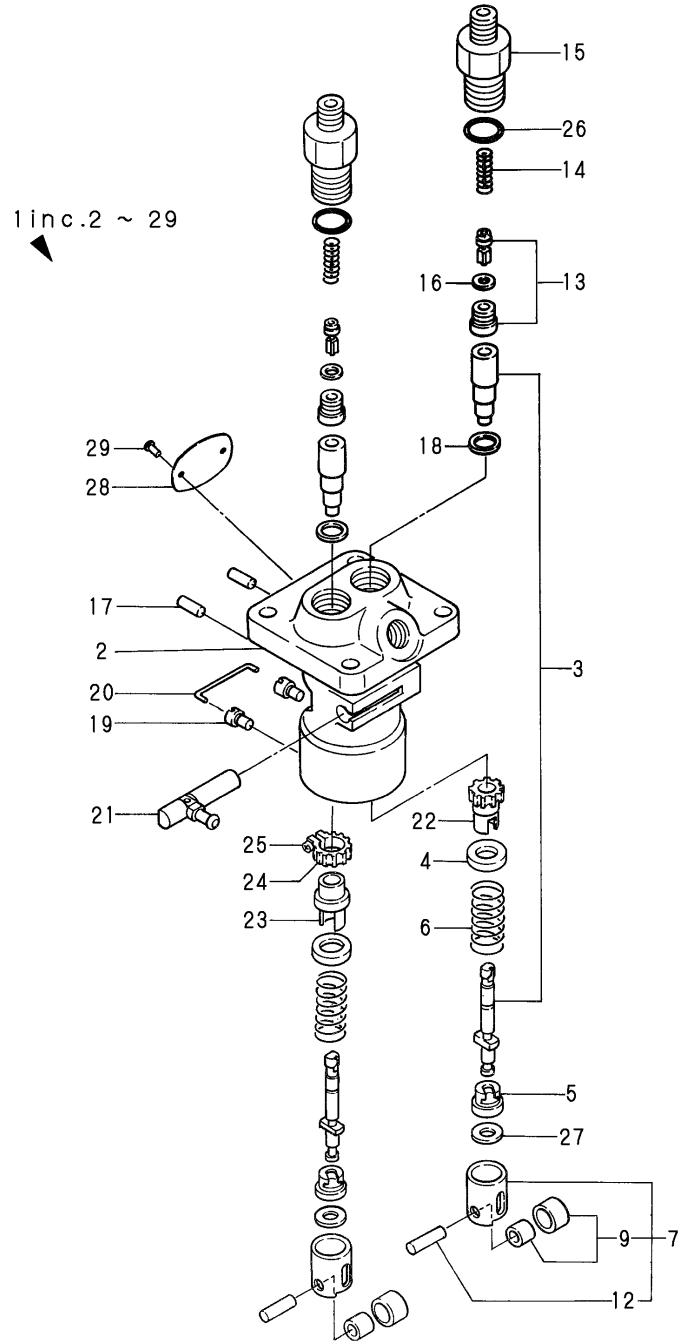
(E)=

(F)=

REF.	LEV.	PARTS NO.	DESCRIPTION	QTY						I	R
				(A)	(B)	(C)	(D)	(E)	(F)		
1	1	124070-49070	PIPE	1							
1-1	1	121370-49060	PIPE, COOLING WATER	1							R
(A=*1980.02)											
3	2	105582-49900	PROTECTOR	2							
4	1	124070-49060	PIPE, COOLING WATER	1							
6	2	105582-49900	PROTECTOR	1							
7	2	124070-49910	SPRING	1							
8	1	124070-49020	PIPE (B), C. WATER	1							
9	1	23000-022000	CLAMP 22	4							
10	1	23000-025000	CLAMP 25	2							
11	1	124070-49310	RETAINER	1							
12	1	124770-49310	RETAINER 27	2							
13	1	26116-060102	BOLT M 6X 10 PLATED	1							
14	1	22217-060000	SPRING WASHER 6	1							
15	1	724070-01730	JOINT ASSY, 3-WAY	1							
17	2	27210-200300	ZINC, ANTI-CORROSIVE	1							
18	2	124220-09320	PLUG M25	1							
19	2	23414-250000	GASKET 25,ROUND	1							
20	2	123210-09310	PACKING	1							
21	2	124224-09340	LABEL	1							
22	2	104211-49060	JOINT PT 1/4	2							
23	1	124770-49190	COVER, THERMOSTAT	1							
25	2	124223-49300	JOINT, PIPE	1							
25-1	2	121575-49300	JOINT PT 3/8	1							N
(A=*1980.01)											
26	2	104211-49060	JOINT PT 1/4	1							
26-1	2	104271-49060	JOINT	1							N
(A=*1980.01)											
27	1	104211-49160	PACKING	1							
28	1	26116-060352	BOLT M 6X 35 PLATED	2							
29	1	124770-49200	THERMOSTAT	1							
30	1	43662-010020	COCK ASSY, SEA WATER	1							1
30-1	1	43662-010030	COCK ASSY, SEA WATER	1							N 1
(A=EXXX)											
34	2	23414-120200	COTTER PIN	1							1
35	1	104211-49080	PIPE, COOLING WATER	1							1
36	1	23000-022000	CLAMP 22	3							1
37	1	43666-020951	COVER, STRAINER	1							1
38	1	22724-800380	SCREW 8X 38	4							1

Remarks
(1)OPTIONAL

Fig.11. FUEL INJECTION PUMP



(A)=2QM15

(B)=

(C)=

(D)=

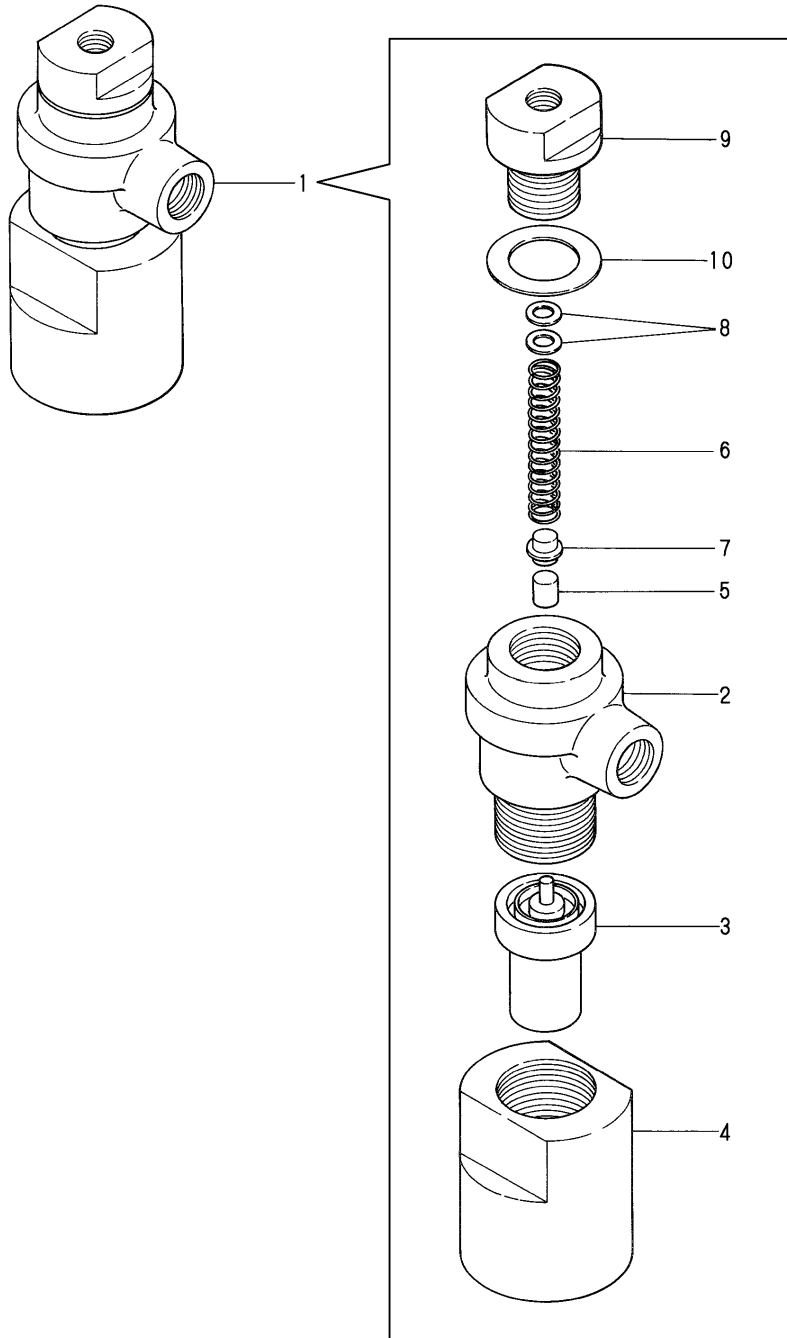
(E)=

(F)=

REF.	LEV.	PARTS NO.	DESCRIPTION	Q'TY						I	R
				(A)	(B)	(C)	(D)	(E)	(F)		
1	1	724070-51700	PUMP ASSY. F.INJECT.	1							
2	2	124550-51011	BODY, FUEL I. PUMP	1							
3	2	124070-51100	PLUNGER W/BARREL	2							
4	2	174307-51170	RETAINER A	2							
5	2	174307-51181	RETAINER B	2							
6	2	174307-51190	SPRING, PLUNGER	2							
7	2	724550-51520	GUIDE, PLUNGER	2							
9	3	711100-51540	ROLLER ASSY	2							
12	3	174100-54120	PIN, ROLLER	2							
13	2	124060-51300	VALVE W/SEAT, DELIV.	2							
14	2	124550-51320	SPRING, DELIV. VALVE	2							
15	2	124550-51341	RETAINER	2							
16	2	124550-51350	GASKET, DELIVERY	2							
17	2	174307-51250	PIN	2							
18	2	174307-51270	GASKET	2							
19	2	174307-51450	PIECE, GUIDE	2							
20	2	174307-51460	PIN	1							
21	2	105425-51500	RACK, CONTROL	1							
22	2	174307-51510	PINION	1							
23	2	174307-51550	RETAINER,PINION	1							
24	2	174307-51560	PINION	1							
25	2	122117-51560	SCREW, PINION	1							
26	2	124550-51370	O-RING, DELIVERY	2							
27	2	174307-51700	SHIM SET	2							
29	2	22624-230030	RIVET 2.3X 3	2							
29-1	2	124220-51890	RIVET, LABEL	2							R

(A=*1978.01)

Fig.12. FUEL INJECTION VALVE



OCR10-G09108 12. FUEL INJECTION VALVE

(A)=2QM15
(B)=
(C)=

(D)=
(E)=
(F)=

REF.	LEV.	PARTS NO.	DESCRIPTION	QTY						I	R
				(A)	(B)	(C)	(D)	(E)	(F)		
1	1	724060-53101	VALVE ASSY, F.INJECT	2							
2	2	103854-53100	BODY, F.I. VALVE	2							
3	2	124770-53000	NOZZLE ASSY,F.INJECT	2							
4	2	104200-53080	HOLDER, VALVE W/CASE	2							
5	2	113200-53110	SPINDLE, INTER	2							
6	2	103854-53120	SPRING, NOZZLE	2							
7	2	113200-53120	SHOE, SPRING	2							
8	2	110250-53150	SHIM SET	2							
9	2	103854-53180	RETAINER, NOZ.SPRING	2							
10	2	172100-53200	GASKET	2							

Fig.13. FUEL SYSTEM

(A)=2QM15

(B)=

(C)=

(D)=

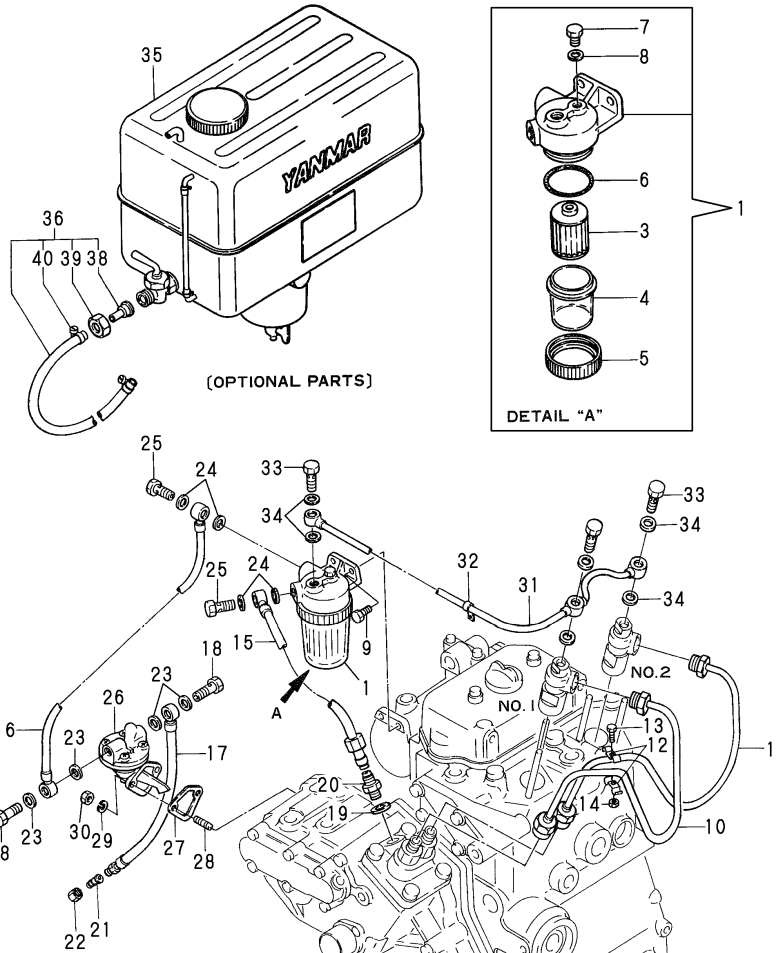
(E)=

(F)=

Q'TY

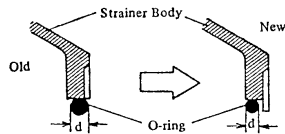
(A) (B) (C) (D) (E) (F)

I R



REF.	LEV.	PARTS NO.	DESCRIPTION	(A)	(B)	(C)	(D)	(E)	(F)	I	R
1	1	121370-55600	STRAINER ASSY, FUEL	1							
1-1	1	121370-55601	STRAINER ASSY, FUEL	1							N
(A=E/#84153)											
3	2	104500-55710	ELEMENT, FUEL	1							
4	2	121370-55730	CUP, STRAINER	1							
5	2	110250-55610	RING, RETAINING	1							
6	2	102103-55520	O-RING	1							
6-1	2	24341-000440	O-RING 1A S-44.0	1							S
(A=E/EXXX)											
7	2	101720-55750	PLUG, 6	1							
8	2	23418-060000	GASKET 6, NYLON	1							
9	1	26116-060162	BOLT 6X16	2							
10	1	124070-59810	PIPE (A), F. INJECT.	1							
11	1	124070-59820	PIPE (B), F. INJECT.	1							
12	1	124060-59900	CLAMP	2							
13	1	26557-060122	SCREW M 6X 12,PAN HD	1							
14	1	26716-060002	NUT 6	1							
15	1	124070-59010	PIPE ASSY, FUEL OIL	1							
16	1	124070-59030	PIPE (B) ASSY, FUEL	1							
17	1	105584-59090	PIPE, FUEL OIL	1							
18	1	105582-59150	BOLT, PIPE JOINT	2							
19	1	104200-59170	GASKET 12	1							
20	1	124070-59650	UNION	1							
21	1	124772-59660	JOINT	1							
22	1	124772-59670	CAP NUT	1							
23	1	23414-080000	GASKET 8, ROUND	4							
24	1	23414-120000	GASKET 12, ROUND	4							
25	1	23857-060000	JOINT BOLT 6	2							
26	1	124070-52010	PUMP ASSY, FUEL FEED	1							
27	1	124223-01850	GASKET	1							
28	1	26216-060162	STUD M 6X 16 PLATED	2							
29	1	22217-060000	SPRING WASHER 6	2							
30	1	26716-060002	NUT 6	2							
31	1	124070-59500	PIPE, FUEL RETURN	1							
32	1	124450-39240	RETAINER, PIPE	1							
32-1	1	121400-39240	RETAINER, PIPE	1							N
(A=E/#81882)											
33	1	101147-59810	BOLT 8, PIPE JOINT	3							
34	1	23418-080000	PACKING	6							
34-1	1	23414-080000	GASKET 8, ROUND	6							R
(A=E/EXXX)											
35	1	83211-002013	TANK ASSY, FUEL	1							1
36	1	124070-59060	PIPE, FUEL OIL	1							1
38	2	105582-59190	JOINT, PIPE	1							1
39	2	138603-59380	CAP NUT	1							1
40	2	23010-014000	CLAMP 14	2							1

Remarks:
 REFER No.6-1 : Shall be supplied by new part(121370-55601) in the future. Since the O-ring of this complete part becomes finer than the old one as shown in sectional view given below, pay your attention to this regard when repairing an engine equipped with the new type strainer.

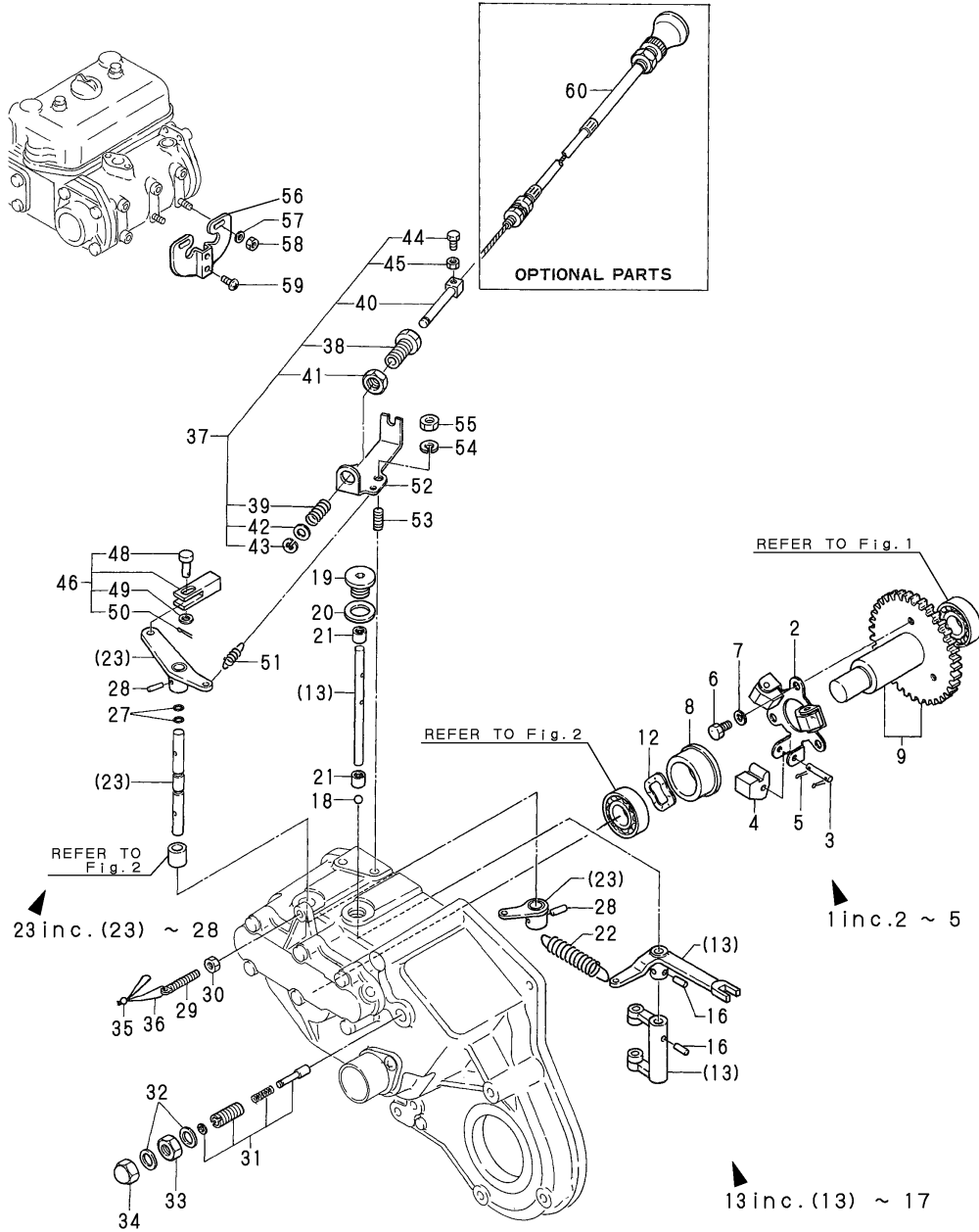


Major points of difference.

- (1) Strainer body : In the case of the new type, the O-ring contact part of the retainer tightening area becomes two-face contacting.
- (2) O-ring : Thickness (W) of the O-ring is 3.5mm for old type or 2mm for new type.

Remarks
 (1)OPTIONAL

Fig.14. GOVERNOR



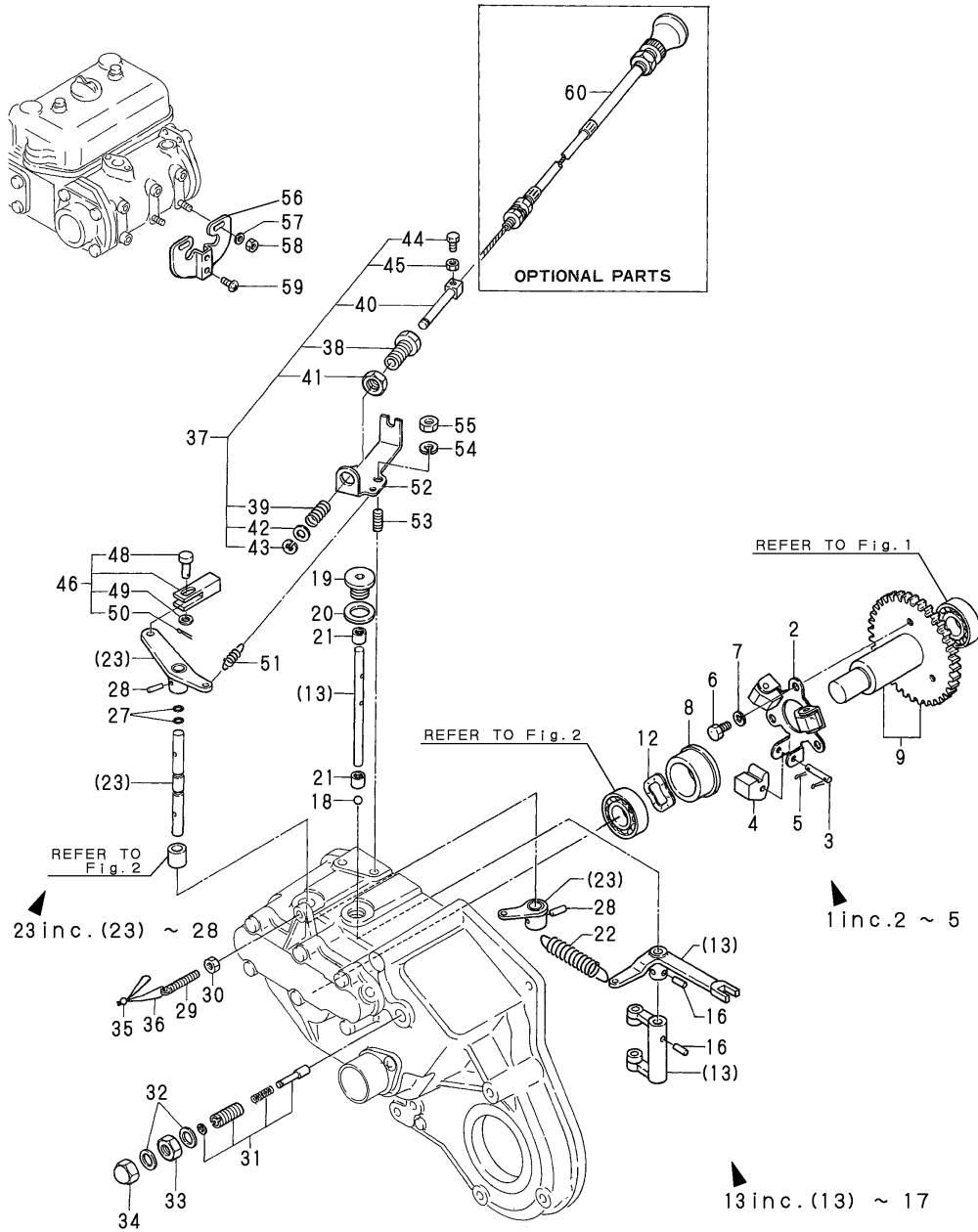
Remarks
(1)OPTIONAL

(A)=2QM15
(B)=
(C)=

(D)=
(E)=
(F)=

REF.	LEV.	PARTS NO.	DESCRIPTION	QTY						I	R
				(A)	(B)	(C)	(D)	(E)	(F)		
1	1	724070-61520	WEIGHT ASSY, GOV.	1							
2	2	124070-61110	SUPPORT, GOV. WEIGHT	1							
3	2	124070-61220	PIN, GOVERNOR WEIGHT	3							
4	2	104211-61200	WEIGHT, GOVERNOR	3							
5	2	22417-200200	COTTER PIN 2.0X20	6							
6	1	26116-060122	BOLT 6X12	3							
7	1	22217-060000	SPRING WASHER 6	3							
8	1	124070-61600	SLEEVE	1							
9	1	124070-61090	SHAFT ASSY, GOVERNOR	1							
12	1	124070-61900	WASHER 20	1							
13	1	724070-61500	LEVER ASSY, GOVERNOR	1							
16	2	22322-030160	TAPER PIN 3X16	2							
18	1	24190-080001	BALL 1/4, STEEL	1							
19	1	124070-61910	PLUG M16	1							
19-1	1	23883-160002	PLUG 16	1							R
(A=E XXX)											
20	1	43400-500490	SEAL WASHER 16S	1							
20-1	1	23414-160000	GASKET 16, ROUND	1							R
(A=E XXX)											
21	1	104211-61520	ROLLER BEARING FJ-79	2							
22	1	124060-66010	SPRING, REGULATOR	1							
22-1	1	124070-66010	SPRING, REGULATOR	1							N
(A=E/#80113)											
23	1	724070-66530	HANDLE ASSY, REGULAT	1							
27	2	24311-000050	O-RING 1A P-5.0	2							
28	2	22322-030160	TAPER PIN 3X16	2							
29	1	103854-66420	SCREW, ADJUST	1							
30	1	26756-060002	LOCK NUT 6	1							
31	1	124070-66550	CONTROLLER ASSY	1							
32	1	43400-500430	SEAL WASHER 10S	2							
33	1	26756-100002	LOCK NUT M10 PLATED	1							
34	1	26667-100002	NUT,CAP 10	1							
35	1	135210-61090	LEAD	1							
36	1	22451-100000	WIRE 1.0	1							
37	1	124772-66700	ADJUSTER ASSY	1							
38	2	124772-66700	ADJUSTER ASSY	1							
39	2	124772-66720	SPRING, ADJUSTER	1							
40	2	124772-66730	PIN, IDLE ADJUSTOR	1							
41	2	124772-66750	LOCK NUT M12	1							
42	2	124772-66760	WASHER	1							
43	2	22272-000040	CIRCLIP E- 4	1							
44	2	26113-050128	BOLT M 5X 12	1							
45	2	26753-050002	NUT M 5	1							
46	1	124772-66200	JOINT ASSY	1							
48	2	124772-66220	PIN	1							
49	2	22113-050000	WASHER 5	1							
50	2	22414-160100	COTTER PIN 1.6X10	1							
51	1	124070-66100	SPRING, RETURN	1							
52	1	124070-66740	BRACKET, ADJUSTER	1							
53	1	26226-060122	STUD M 6X 12 PLATED	2							
54	1	22217-060000	SPRING WASHER 6	2							

Fig.14. GOVERNOR



(A)=2QM15

(B)=

(C)=

(D)=

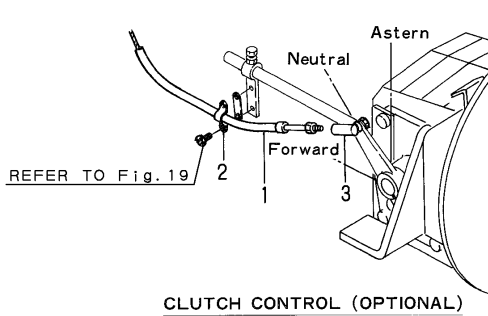
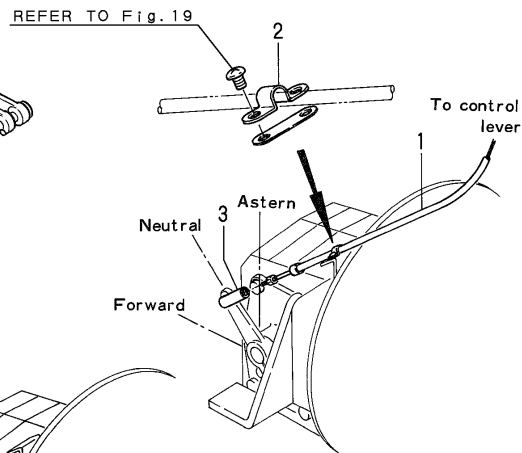
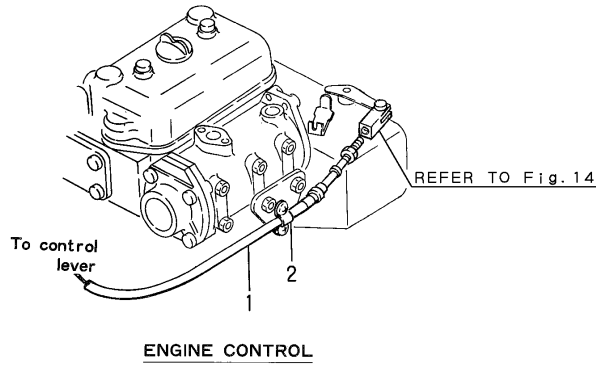
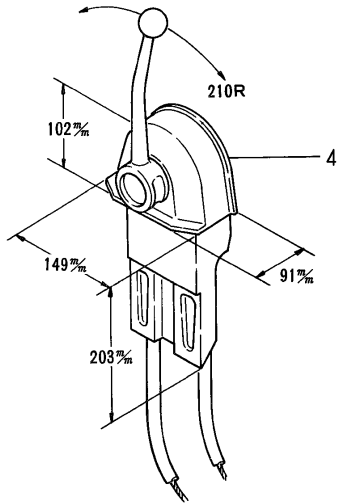
(E)=

(F)=

REF.	LEV.	PARTS NO.	DESCRIPTION	Q'TY						I	R
				(A)	(B)	(C)	(D)	(E)	(F)		
55	1	26716-060002	NUT 6	2							
56	1	124070-67100	BRACKET, CABLE	1							
57	1	22117-080000	WASHER 8	2							
58	1	26756-080002	LOCK NUT M 8 PLATED	2							
59	1	26557-050102	SCREW M 5X 10	2							
60	1	124070-67550	CABLE (L=3000), STOP	1							1

Remarks
(1)OPTIONAL

Fig.15. REMOTE-CONTROL DEVICE(OPTIONAL)



OCR10-G09108 15. REMOTE-CONTROL DEVICE(OPTIONAL)

(A)=2QM15

(B)=

(C)=

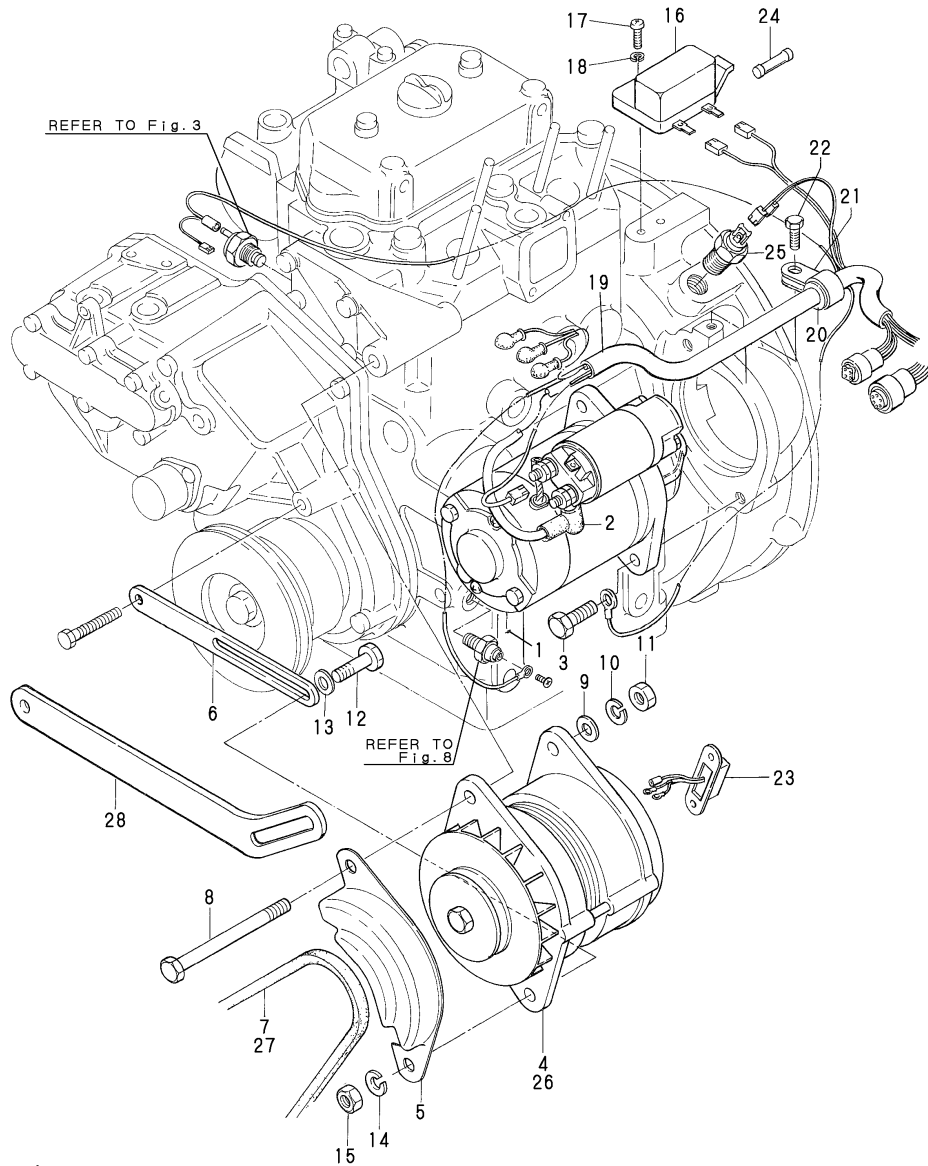
(D)=

(E)=

(F)=

REF.	LEV.	PARTS NO.	DESCRIPTION	QTY						I	R	
				(A)	(B)	(C)	(D)	(E)	(F)			
1	1	41710-000380	CABLE L=4000	2								
2	1	41710-000410	CLAMP	2								
3	1	41710-000790	JOINT	1								
4	1	41730-000680	HEAD, REMOTE-CONTROL	1								
5	1	41710-000400	CLEVIS	1								W
(A=EXXX)												

Fig.16. STARTING MOTOR & GENERATOR



(A)=2QM15

(B)=

(C)=

(D)=

(E)=

(F)=

REF.	LEV.	PARTS NO.	DESCRIPTION	QTY						I	R
				(A)	(B)	(C)	(D)	(E)	(F)		
1	1	124070-77010	STARTER(1.3KW/S-230)	1							
2	1	124550-77030	COVER, TERMINAL	1							
3	1	26116-100302	BOLT 10X30	2							
4	1	121370-77200	GENERATOR	1							
4-1	1	128170-77200	GENERATOR	1							R
(A=E/#89088)											
5	1	121250-77210	COVER, GENERATOR	1							
6	1	124450-77330	ADJUSTER, BELT	1							
7	1	105582-77790	V-BELT (31 INCH)	1							
8	1	26116-081202	BOLT M 8X120 PLATED	1							
9	1	22117-080000	WASHER 8	1							
10	1	22217-080000	SPRING WASHER 8	1							
11	1	26716-080002	NUT M8	1							
12	1	26116-080322	BOLT M 8X 32 PLATED	1							
13	1	22117-080000	WASHER 8	1							
14	1	22217-080000	SPRING WASHER 8	1							
15	1	26716-080002	NUT M 8	1							
16	1	124070-77800	BOX, FUSE	1							
16-1	1	124070-77801	BOX, FUSE (30A)	1							N
(A=E/#85304)											
17	1	26557-050162	SCREW M 5X 16	2							
18	1	22217-050000	SPRING WASHER 5	2							
19	1	124070-77920	HARNESS, WIRE	1							
20	1	124770-77940	PROTECTOR	1							
21	1	124070-77950	CLAMP	1							
22	1	26116-080122	BOLT M 8X 12 PLATED	1							
23	1	121370-77950	REGULATOR (TR1Z-28)	1							
24	1	46150-003660	FUSE 20A	1							
24-1	1	46150-003680	FUSE 30A	1							N
(A=E/#85304)											
25	1	124070-91160	SENDER	1							1
26	1	124070-77200	GENERATOR (LR155-04)	1							1
27	1	104107-44780	V-BELT	1							1
28	1	124070-77330	ADJUSTER, BELT	1							1

Remarks:

REFER No.4-1-marked parts : GENERATOR (AC) changed in Type from LR13531 to LR13574, effective from Aug.,1980 Engine serial number : From E/#89088~
Interchangeable between Old Type and New Type by GENERATOR ASS'Y. However some component parts of Old Type and New Type are not interchangeable.

Remarks
(1)OPTIONAL

Fig.17. INSTRUMENT PANEL

(A)=2QM15

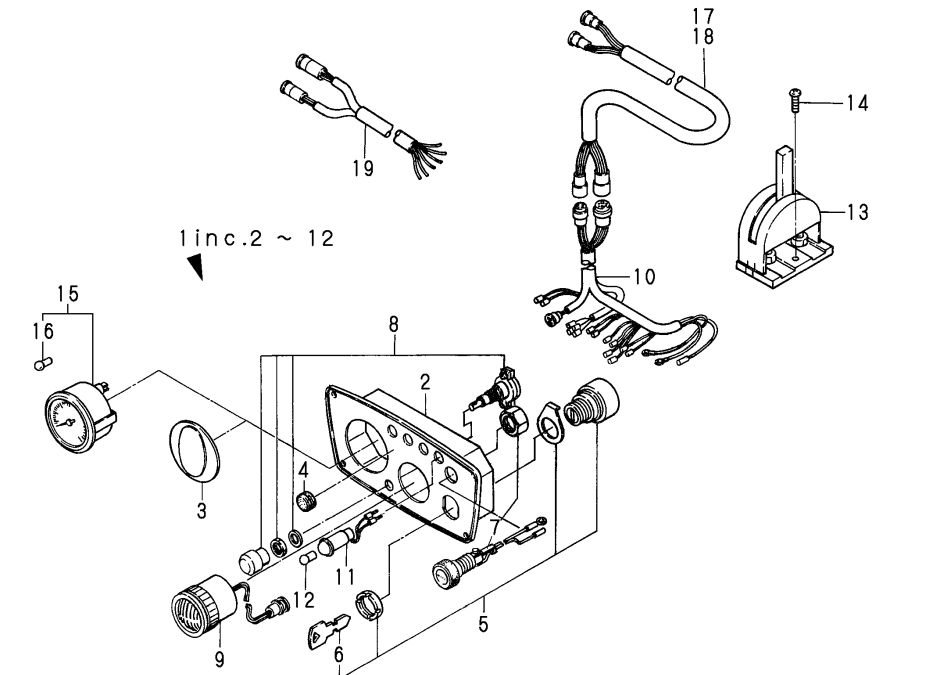
(B)=

(C)=

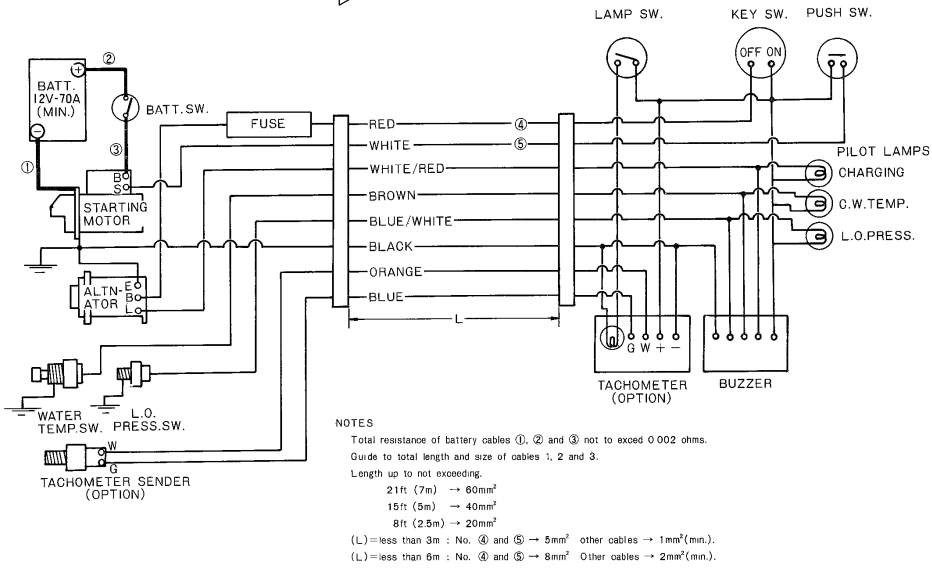
(D)=

(E)=

(F)=



REF.	LEV.	PARTS NO.	DESCRIPTION	Q'TY						I	R
				(A)	(B)	(C)	(D)	(E)	(F)		
1	1	124070-91000	PANEL ASSY, INSTRUM.	1							
2	2	124070-91010	HOUSING, PANEL	1							
3	2	124770-91200	COVER 80	1							
4	2	124770-91230	COVER 16	1							
5	2	124070-91250	SWITCH W/KEY	1							
6	3	124070-91290	KEY, SWITCH	1							
7	2	124070-91300	SWITCH	1							
8	2	124070-91310	SWITCH	1							
9	2	124070-91350	BUZZER	1							
9-1	2	104271-91350	BUZZER	1							R
		(A=E/XXX)									
9-2	2	104271-91351	BUZZER	1							N
		(A=E/#84741)									
10	2	124070-91030	HARNESS	1							
11	2	124770-91040	LAMP, PILOT	3							
12	3	46150-00110	BULB(12V3W/G11.BA9S)	3							
13	1	123310-77640	SWITCH, BATTERY	1							1
14	1	22724-800380	SCREW 8X 38	2							1
15	1	124070-91100	TACHOMETER	1							1
16	2	46150-00110	BULB(12V3W/G11.BA9S)	1							W 1
		(A=E/#83752)									
17	1	124770-91500	CORD	1							2
18	1	124070-91520	WIRE, EXTENSION 6M	1							2
19	1	124070-91550	OPEN WIRE	1							



Remarks
 (1)OPTIONAL
 (2)SELECTION USE PART.

Fig.18. CLUTCH HOUSING

(A)=2QM15

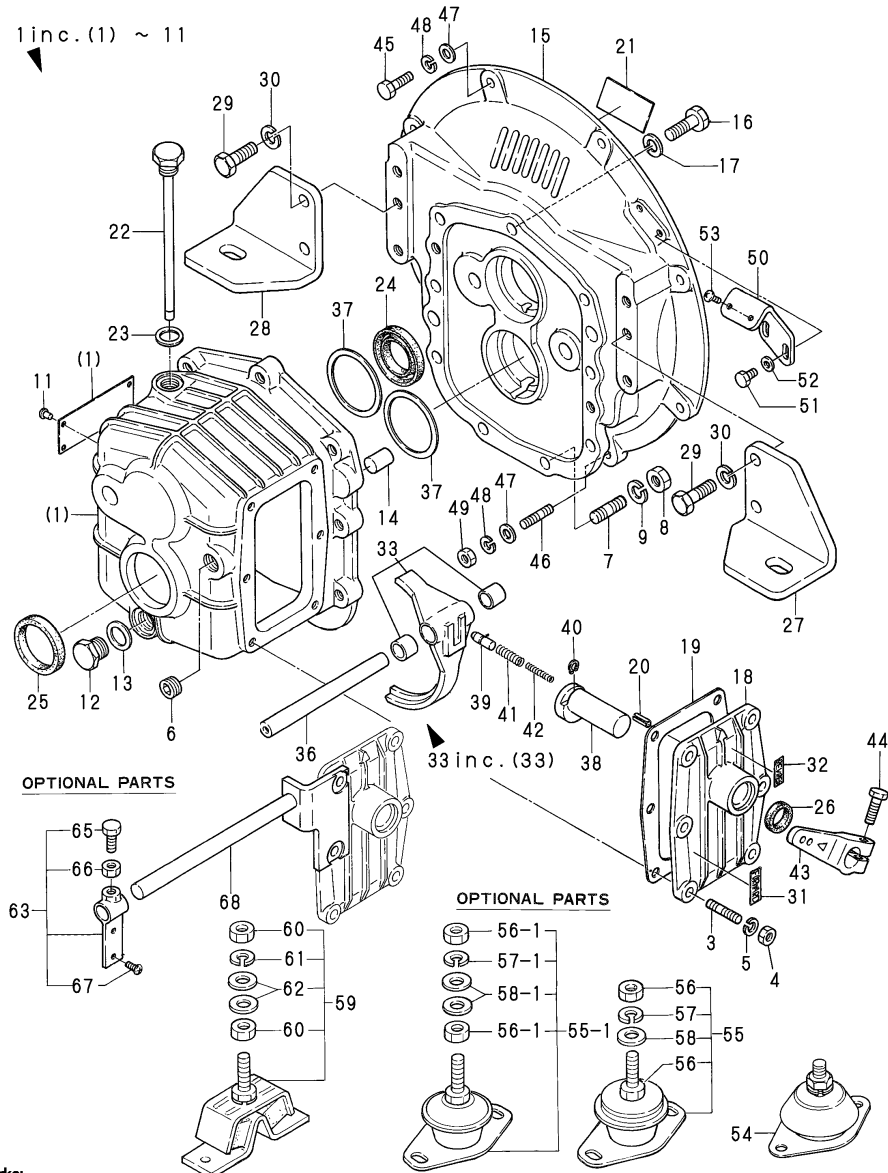
(B)=

(C)=

(D)=

(E)=

(F)=

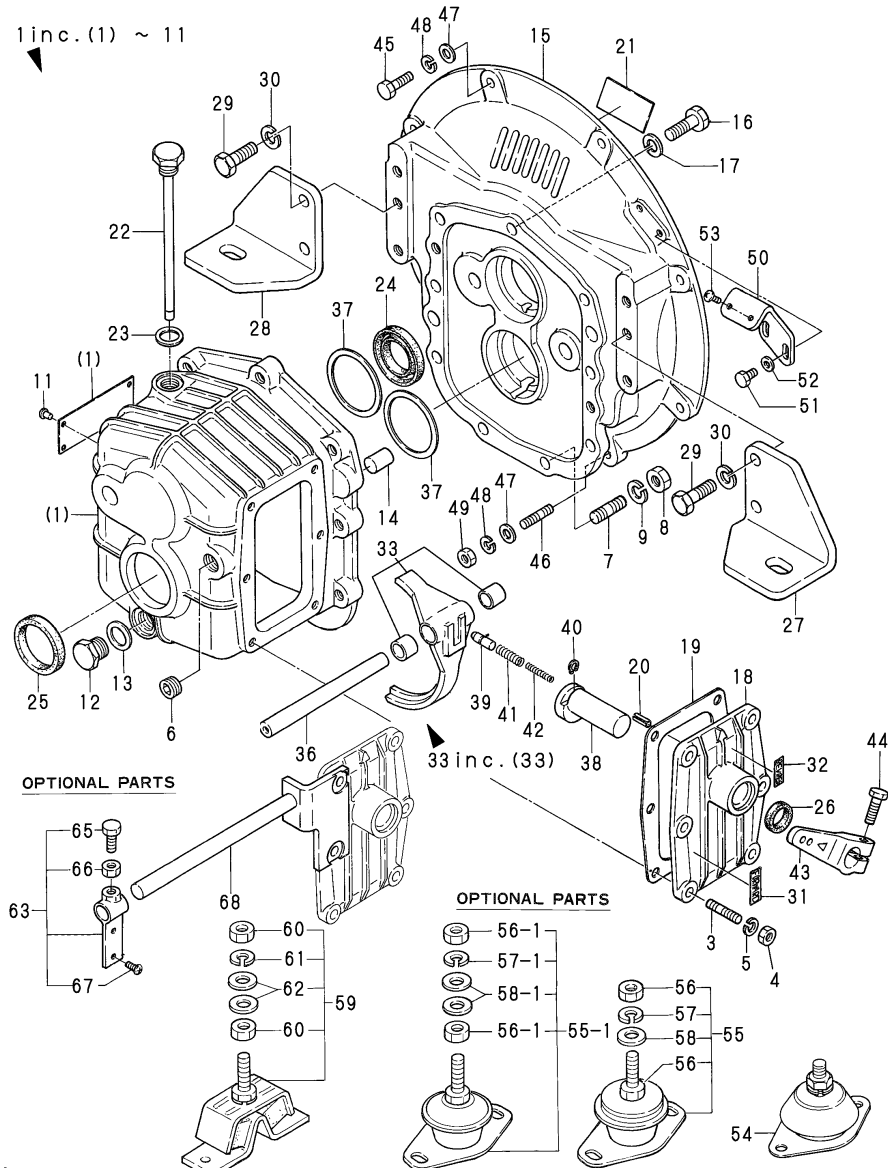


Remarks:
 REFER No.55-1-marked parts : Interchangeable between new type & old type by MOUNTING ASS'Y.
 However its component parts differ between the new type and the old type.
 Consequently, in the future case of fitting the new type parts, it is necessary to accept on of parts upon full confirmation in parts supply.

Remarks
 (1)OPTIONAL

REF.	LEV.	PARTS NO.	DESCRIPTION	(A)	(B)	(C)	(D)	(E)	(F)	QTY	I	R
1	1	777099-02550	HOUSING ASSY, CLUTCH	1								
3	2	26216-080222	STUD M 8X 22 PLATED	6								
4	2	26716-080002	NUT M 8	6								
5	2	22287-080000	LOCKING WASHER	6								
6	2	177099-06050	PLUG	1								
7	2	26226-100252	STUD M10X 25 PLATED	4								
8	2	26716-100002	NUT 10	4								
9	2	22287-100000	WASHER 10	4								
11	2	102210-07990	RIVET	4								
12	1	23884-160002	PLUG 16,HEX.	1								
12-1	1	23883-160002	PLUG 16	1								R
(A=EXXX)												
13	1	23414-160021	GASKET 16	1								
14	1	177099-02130	STRAIGHT PIN	2								
15	1	177080-02030	FLANGE, MOUNTING	1								
16	1	26116-100302	BOLT 10X30	5								
17	1	22287-100000	WASHER 10	5								
18	1	177099-02081	COVER, SIDE	1								
19	1	177099-02091	GASKET	1								
20	1	22352-040012	SPRING PIN 4X 12	1								
21	1	177095-02400	LABEL	1								
22	1	177099-02450	DIPSTICK W/BREATHER	1								
23	1	23414-160021	GASKET 16	1								
24	1	177099-02950	SEAL, OIL	1								
25	1	177099-02960	SEAL, OIL	1								
26	1	177095-02980	SEAL, OIL	1								
27	1	177080-02720	BRACKET (A)	1								
28	1	177080-02730	BRACKET (B)	1								
29	1	26116-100302	BOLT 10X30	4								
30	1	22287-100000	WASHER 10	4								
31	1	177090-02620	LABEL	1								
32	1	177090-02630	LABEL	1								
33	1	177099-06010	FORK ASSY, SHIFT	1								
36	1	177099-06041	SHAFT, SHIFT	1								
37	1	177099-02250	SHIM SET	2								
38	1	177095-06030	CAM, SHIFT	1								
39	1	177095-06050	PIN	1								
40	1	177095-06140	CIRCLIP	1								
41	1	177095-03200	SPRING	1								
42	1	177095-06060	SPRING	1								
43	1	177095-06040	LEVER	1								
44	1	26116-080252	BOLT M 8X 25 PLATED	1								
45	1	26116-080282	BOLT M 8X 28 PLATED	6								
46	1	26226-080222	STUD M 8X 22 PLATED	2								
47	1	22117-080000	WASHER 8	8								
48	1	22217-080000	SPRING WASHER 8	8								
49	1	26716-080002	NUT M 8	2								
50	1	124070-86300	BRACKET, CABLE	1								
51	1	26116-060122	BOLT 6X12	2								
52	1	22117-060000	WASHER 6	2								
53	1	26557-050102	SCREW M 5X 10	2								

Fig.18. CLUTCH HOUSING



Remarks:
 REFER No.55-1-marked parts : Interchangeable between new type & old type by MOUNTING ASS'Y.
 However its component parts differ between the new type and the old type.
 Consequently, in the future case of fitting the new type parts, it is necessary to accept on of parts upon full confirmation in parts supply.

Remarks
 (1)OPTIONAL

(A)=2QM15

(B)=

(C)=

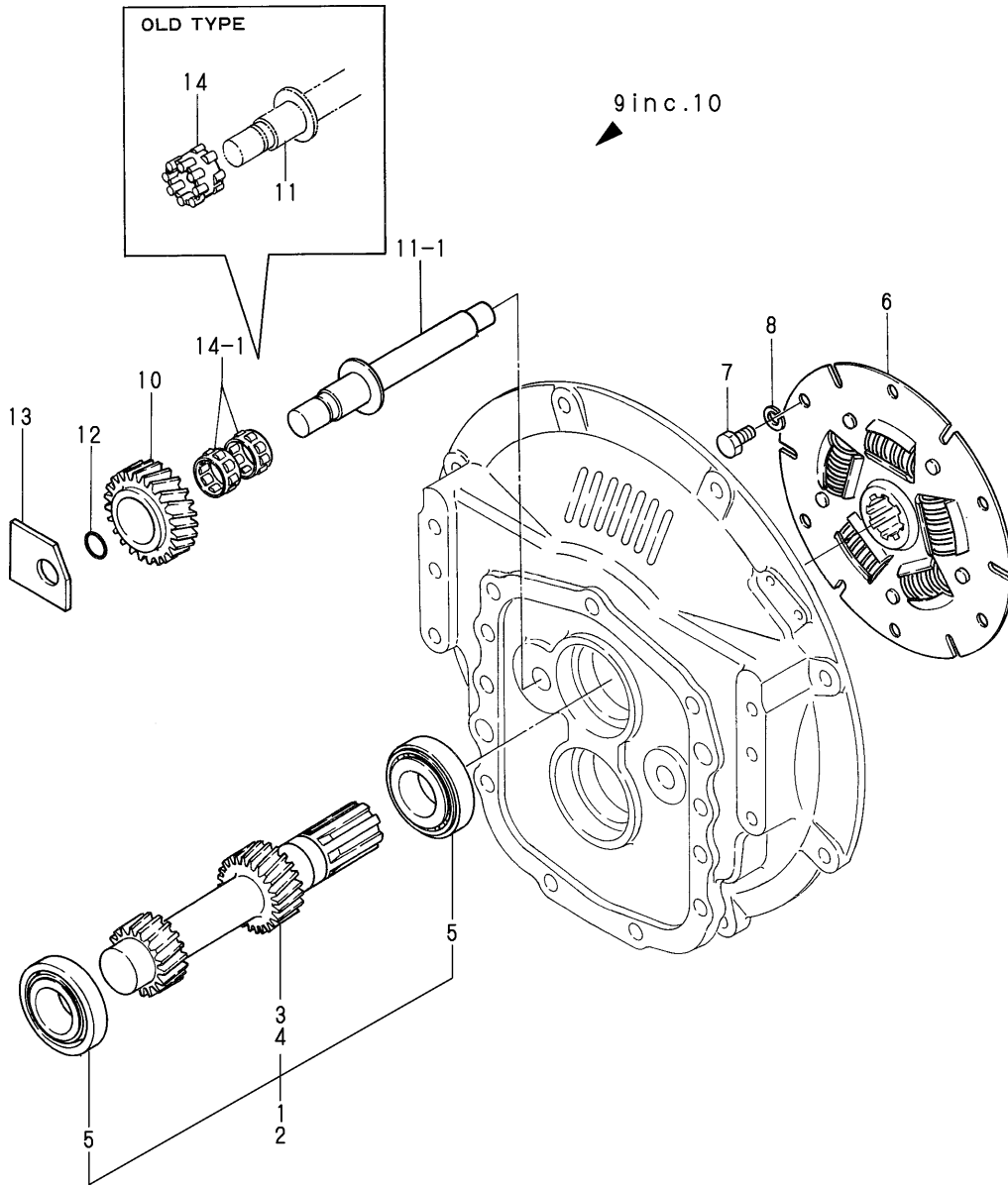
(D)=

(E)=

(F)=

REF.	LEV.	PARTS NO.	DESCRIPTION	Q'TY						I	R
				(A)	(B)	(C)	(D)	(E)	(F)		
54	1	104271-08340	MOUNTING, FLEXIBLE	4							1
55	1	124070-08340	MOUNTING, FLEXIBLE	4							1
55-1	1	124070-08341	MOUNTING, FLEXIBLE	4							N 1
(A=*1979.05)											
56	2	26716-120002	NUT 12	8							1
56-1	2	26716-140002	NUT M14	8							S 1
(A=*1979.05)											
57	2	22217-120000	SPRING WASHER	4							1
57-1	2	22217-140000	SPRING WASHER 14	4							S 1
(A=*1979.05)											
58	2	22137-120000	WASHER 12,POLISHED	4							1
58-1	2	22137-140000	WASHER 14,POLISHED	8							S 1
(A=*1979.05)											
59	1	124772-08340	MOUNTING, FLEXIBLE	4							1
60	2	26736-140002	NUT M14	8							1
61	2	22217-140000	SPRING WASHER 14	4							1
62	2	22137-140000	WASHER 14,POLISHED	8							1
63	1	124070-86410	BRACKET	1							1
65	2	26116-080182	BOLT 8X18	1							1
66	2	26756-080002	LOCK NUT M 8 PLATED	1							1
67	2	26557-050102	SCREW M 5X 10	2							1
68	1	124070-86400	RETAINER	1							1

Fig.19. INPUT SHAFT



Remarks

- (1)FOR I=2 (2QM15)
- (2)FOR I=3 (2QM15G)

(A)=2QM15

(B)=

(C)=

(D)=

(E)=

(F)=

REF.	LEV.	PARTS NO.	DESCRIPTION	QTY						I	R
				(A)	(B)	(C)	(D)	(E)	(F)		
1	1	777099-03011	SHAFT ASSY, INPUT	1							1
2	1	777099-03211	SHAFT ASSY, INPUT	1							2
3	2	177099-03011	SHAFT, INPUT (I=2)	1							1
4	2	177099-03411	SHAFT, INPUT (I=3)	1							2
5	2	177099-03920	ROLLER BEARING	2							
6	1	124772-81050	DISC,DAMPER	1							
7	1	26116-080142	BOLT 8X14	6							
8	1	22217-080000	SPRING WASHER 8	6							
9	1	777099-03021	SHAFT ASY, IDLE GEAR	1							
10	2	177099-03301	GEAR (Z=25), IDLE	1							
11	2	177099-03311	SHAFT, IDLE GEAR	1							
11-1	2	177099-03980	SHAFT	1							S
(A=E/#1456)											
12	2	24341-000150	O-RING 1A S-15.0	1							
13	2	177099-03321	WASHER, THRUST	1							
14	2	177099-03900	NEEDLE BEARING	1							
14-1	2	177099-03901	NEEDLE BEARING	2							S
(A=E/#1456)											

Fig.20. OUTPUT SHAFT

(A)=2QM15

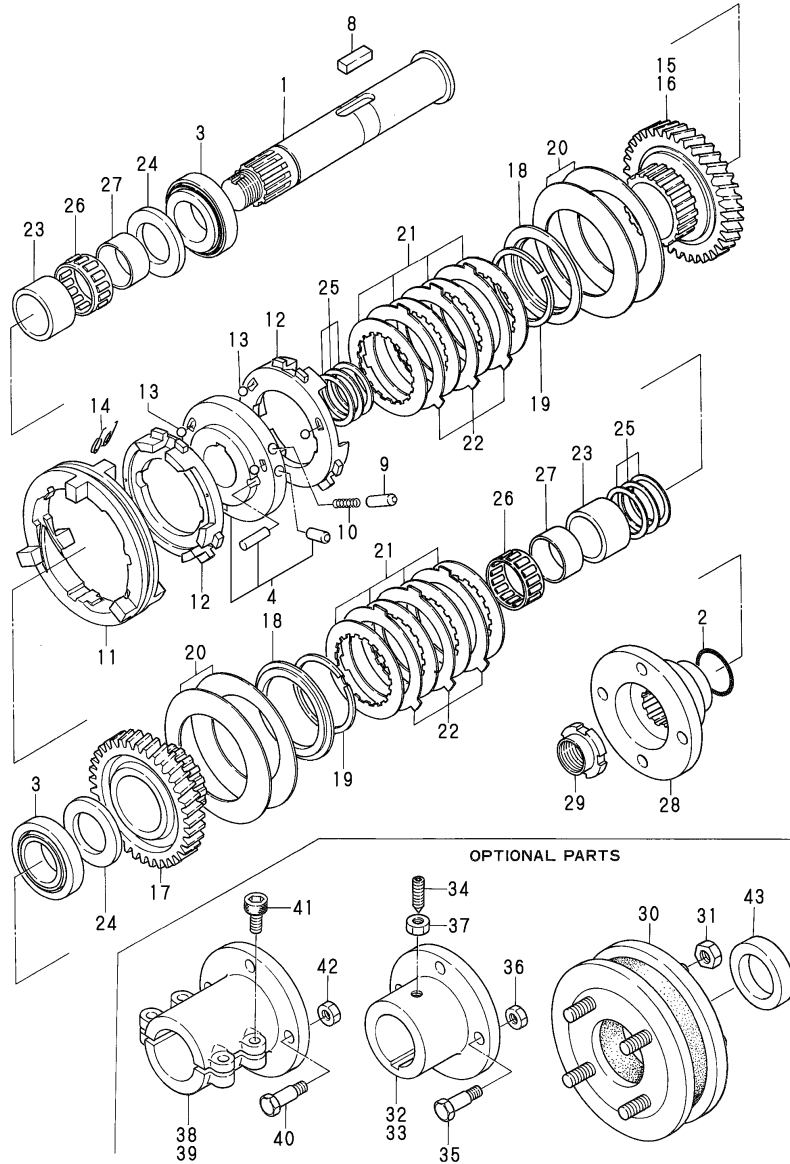
(B)=

(C)=

(D)=

(E)=

(F)=

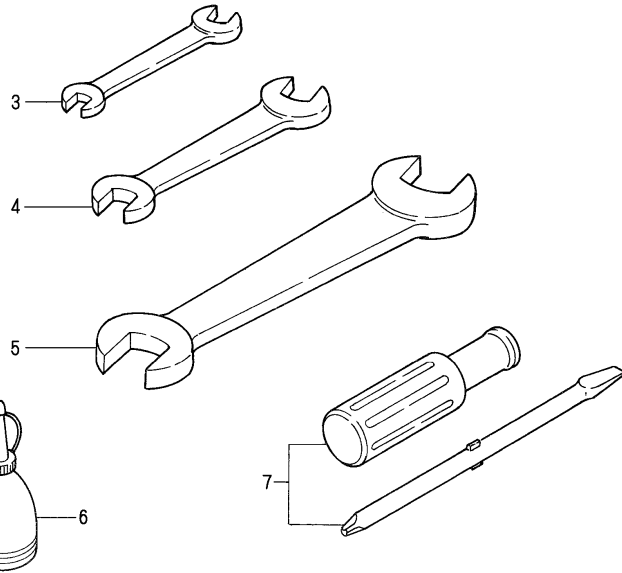
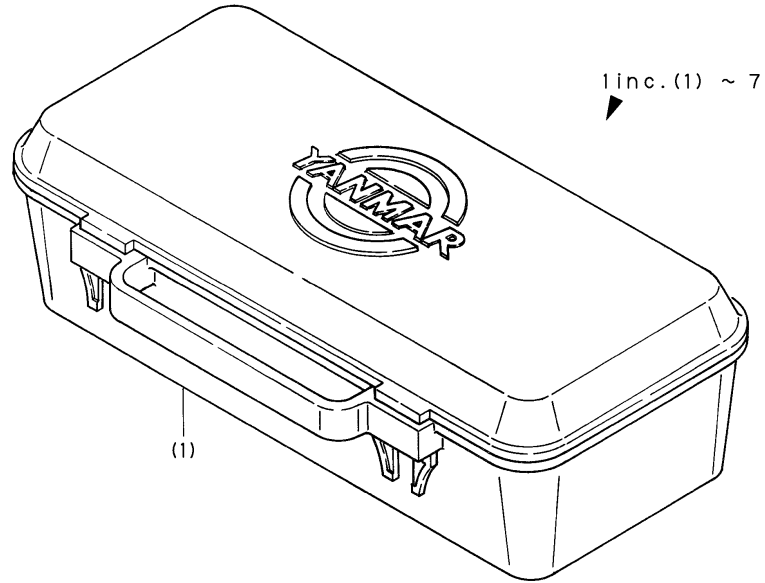


REF.	LEV.	PARTS NO.	DESCRIPTION	QTY						I	R
				(A)	(B)	(C)	(D)	(E)	(F)		
1	1	177099-03021	SHAFT, OUTPUT	1							
2	1	24341-000300	O-RING 1A S-30.0	1							
3	1	177099-03920	ROLLER BEARING	2							
4	1	177099-03040	PLATE ASSY, DRIVING	1							
8	1	177090-03230	KEY	1							
9	1	177095-03190	PIN	3							
10	1	177095-03200	SPRING	3							
11	1	177099-03070	RING, SHIFTING	1							
12	1	177099-03080	PLATE, PRESSURE	2							
13	1	177090-03180	BALL 8MM	6							
14	1	177095-03210	SPRING, RETURN	3							
15	1	177099-03101	GEAR (Z=47), FORWARD	1							1
16	1	177099-03431	GEAR (Z=51), FORWARD	1							2
17	1	177099-03111	GEAR (Z=45)	1							
18	1	177090-03110	RETAINER (B)	2							
19	1	177095-03280	CIRCLIP	2							
20	1	177090-03121	SPRING	4							
21	1	177090-03080	DISC, FRICTION	8							
22	1	177090-03090	PLATE, STEEL	6							
23	1	177099-03161	SPACER	2							
24	1	177090-03270	WASHER, THRUST	2							
25	1	177095-03800	SHIM SET	2							
26	1	177095-03900	ROLLER BEARING	2							
27	1	177099-03470	RACE INNER	2							
28	1	177099-03550	COUPLING, OUTPUT	1							
29	1	177099-03540	LOCK NUT	1							
30	1	124770-85400	COUPLING	1							3
31	1	26736-100002	NUT M10	8							3
32	1	48110-025062	COUPLING	1							1
33	1	48110-028062	COUPLING	1							2
34	1	48110-032411	SCREW	1							3
35	1	26116-100322	BOLT M10X 32 PLATED	4							3
36	1	26716-100002	NUT 10	4							3
37	1	26757-080002	LOCK NUT M 8 PLATED	1							3
37-1	1	26756-080002	LOCK NUT M 8 PLATED	1							R 3
(A=EXXX)											
38	1	104214-83980	COUPLING (20), SLIT	1							4
39	1	104214-83990	COUPLING (1 INCH)	1							5
40	1	26116-100322	BOLT M10X 32 PLATED	4							3
41	1	26450-080282	BOLT M 8X 28	4							3
42	1	26716-100002	NUT 10	4							3
43	1	124772-85910	FITTINGS, COUPLING	1							W 3
(A=EXXX)											

Remarks

- (1)FOR I=2 (2QM15)
- (2)FOR I=3 (2QM15G)
- (3)OPTIONAL
- (4)SLIT TYPE 20
- (5)SLIT TYPE 1

Fig.21. TOOL



(OPTIONAL PARTS)

Remarks:
 REFER No.6 : From April,1979,the gasoline feeder is availabel as an option.
 Applicable engine serial number : From E/#84819~

Remarks
 (1)OPTIONAL

(A)=2QM15

(B)=

(C)=

(D)=

(E)=

(F)=

REF.	LEV.	PARTS NO.	DESCRIPTION	Q'TY						I	R
				(A)	(B)	(C)	(D)	(E)	(F)		
1	1	704507-92100	TOOL ASY	1							
3	2	28110-100130	WRENCH 10X13	1							
4	2	28110-170190	WRENCH 17X19	1							
5	2	28110-220240	WRENCH 22X24	1							
6	2	28210-000150	FEEDER, OIL	1							1
7	2	104200-92350	DRIVER, SCREW	1							

Fig.22. SPECIAL TOOL (A)(OPTIONAL)

(A)=2QM15

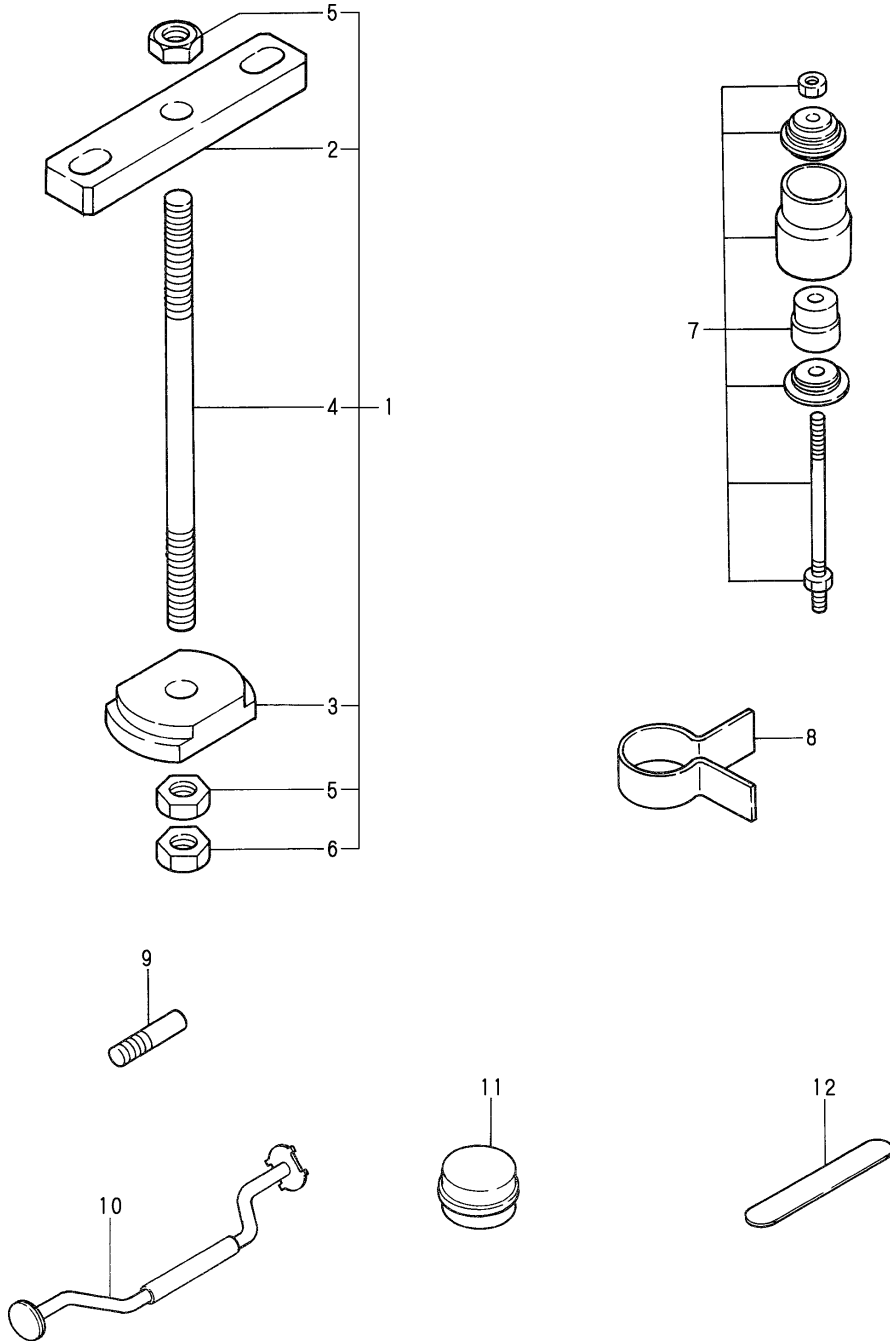
(B)=

(C)=

(D)=

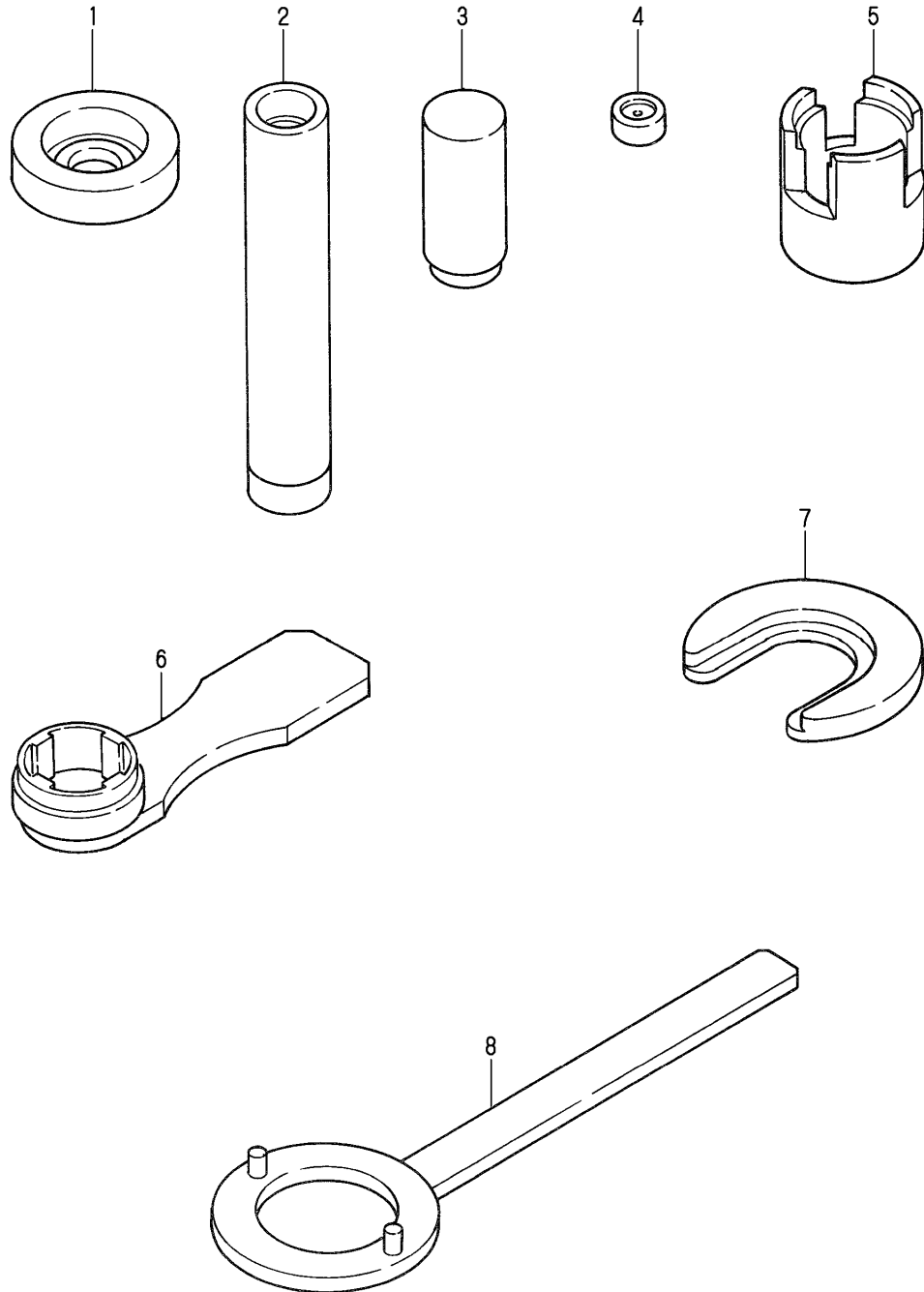
(E)=

(F)=



REF.	LEV.	PARTS NO.	DESCRIPTION	QTY						I	R
				(A)	(B)	(C)	(D)	(E)	(F)		
1	1	124070-92050	REMOVER ASSY, LINER	1							
2	2	124060-92010	REMOVER, LINER	1							
3	2	124660-92020	PLATE, LOWER	1							
4	2	103338-92030	BOLT	1							
5	2	26716-160002	NUT M16	2							
6	2	26756-160002	LOCK NUT M16 PLATED	1							
7	1	124060-92400	TOOL, MAIN-BEARING	1							
8	1	101300-92140	TOOL, PISTON&RING	1							
9	1	101104-92180	PULLER, NOZZLE	1							
10	1	28210-000031	RAPPING TOOL	1							
11	1	28210-000070	LAPPING POWDER	1							
12	1	28312-150750	THICKNESS GAUGE	1							

Fig.23. SPECIAL TOOL (B)(OPTIONAL)



OCR10-G09108 23. SPECIAL TOOL (B)(OPTIONAL)

(A)=2QM15

(B)=

(C)=

(D)=

(E)=

(F)=

REF.	LEV.	PARTS NO.	DESCRIPTION	Q'TY						I	R
				(A)	(B)	(C)	(D)	(E)	(F)		
1	1	177090-09010	SPACER	1							
2	1	177095-09020	REPLACER	1							
3	1	177099-09040	REPLACER	1							
4	1	177095-09170	REPLACER	1							
5	1	177095-09070	REPLACER	1							
6	1	177099-09010	WRENCH	1							
7	1	177099-09030	REPLACER	1							
8	1	177099-09020	WRENCH W/PIN	1							

Fig.24. STARTING MOTOR COMPONENT PART

(A)=2QM15

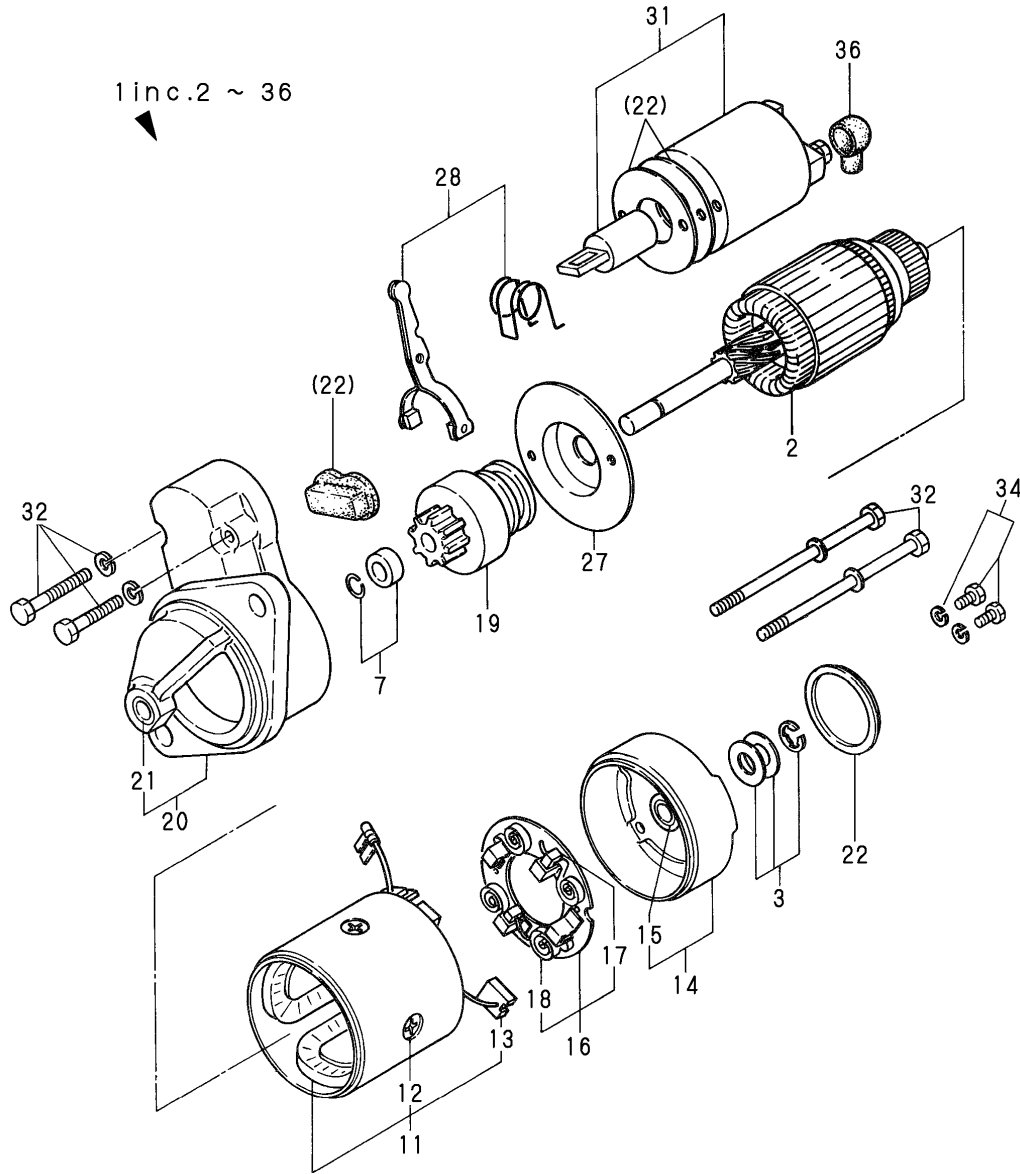
(B)=

(C)=

(D)=

(E)=

(F)=



REF.	LEV.	PARTS NO.	DESCRIPTION	QTY						I	R
				(A)	(B)	(C)	(D)	(E)	(F)		
1	1	124070-77010	STARTER(1.3KW/S-230)	1							
2	2	X211491001	ARMATURE ASSY	1							
3	2	X21148110	WASHER SET, THRUST	1							
7	2	X21147155	STOPPER SET	1							
11	2	X211432001	COIL ASSY, FIELD	1							
12	3	X21147215	SCREW, POLE CORE	4							
13	3	X21145312	BRUSH (+)	2							
14	2	X211453002	COVER ASSY, REAR	1							
15	3	X21145352	METAL	1							
16	2	X21141360	HOLDER ASSY, BRUSH	1							
17	3	X21145313	BRUSH(-)	2							
18	3	X21144314	SPRING, BRUSH	1							
19	2	X211455003	PINION ASSY	1							
20	2	X211416007	CASE ASSY, GEAR	1							
21	3	X21144661	METAL, GEAR CASE	1							
22	2	X21143963	COVER KIT, DUCT	1							
27	2	X21143454	PLATE, CENTER	1							
28	2	X21148652	LEVER SET, SHIFT	1							
31	2	X211467005	SWITCH ASSY, MAGNET	1							
32	2	X21146815	BOLT, THROUGH	2							
33	2	26013-060322	BOLT M 6X 32	2							
34	2	X21142835	SCREW SET	1							
36	2	X21142742	COVER (A), RUBBER	1							

Fig.25. GENERATOR COMPONENT PART

(A)=2QM15

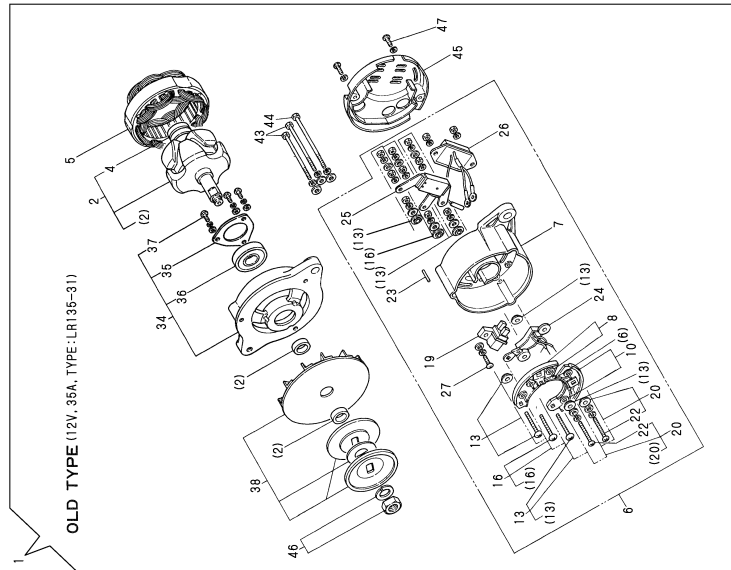
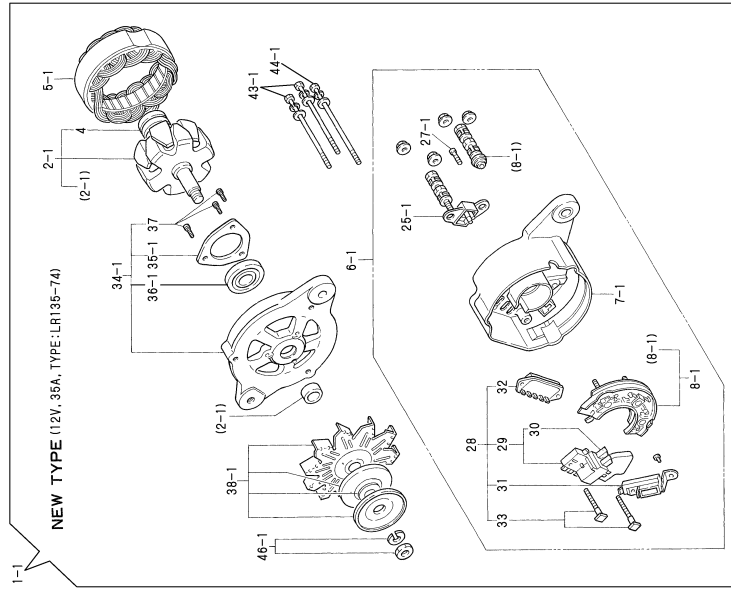
(B)=

(C)=

(D)=

(E)=

(F)=



Remarks:
 REFER No. 1-1 marked parts: GENERATOR (AC) was changed in Type from LR13531 to LR13574, effective from Aug. 1980.
 In the arrangement of Old Type and New Type by GENERATOR ASS'Y. However some component parts of Old Type(LR13531) and New Type(LR13574) are the same. Therefore, when ordering individual parts, confirm of Type of GENERATOR with LABEL provided to the article in question.
 Beside, parts apply for GENERATOR shall be operated with New Type(LR13574) in the future to replace the generator of Old Type engine with New Type generator; please pay much attention to this regard in your parts ordering.

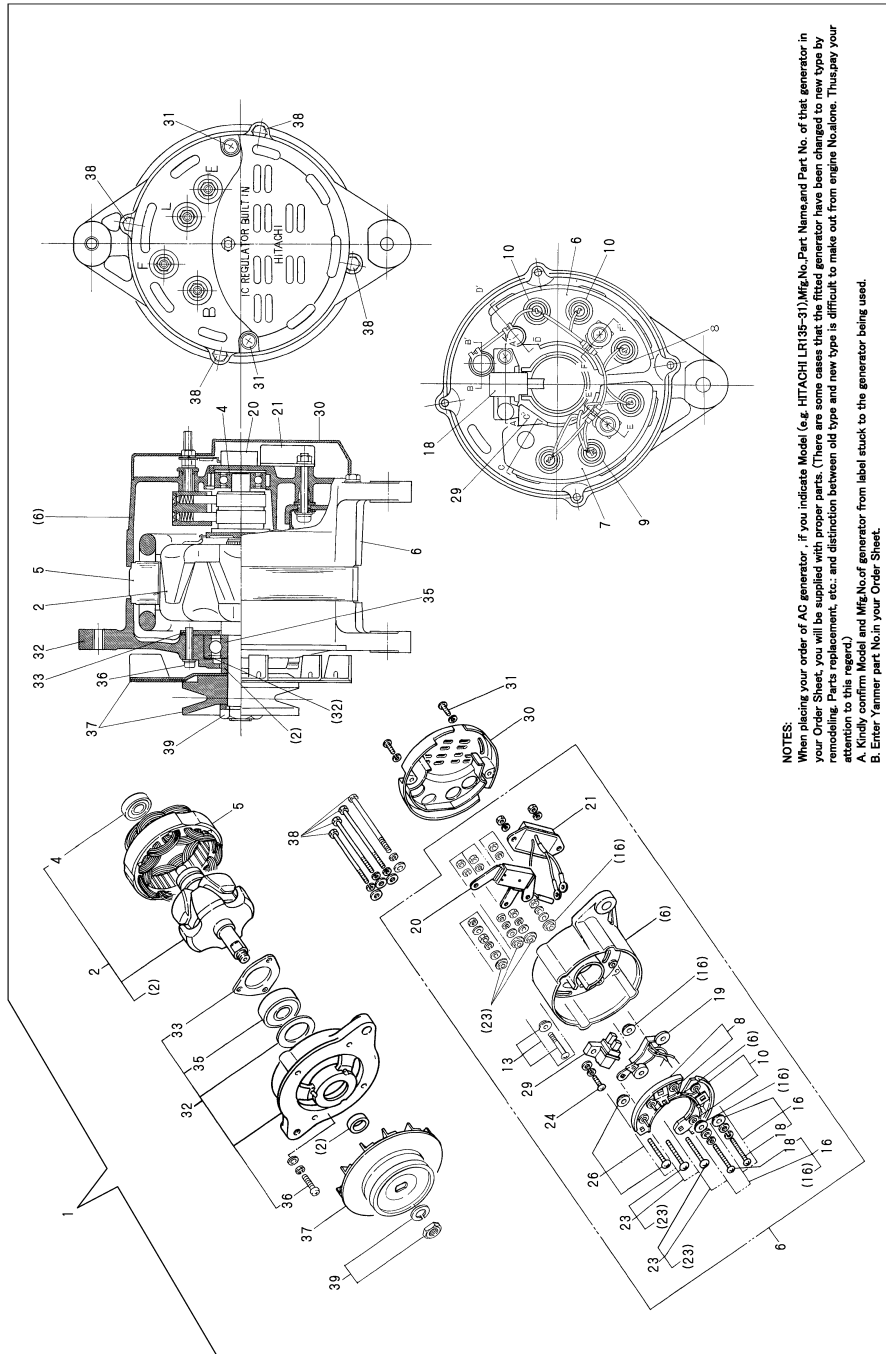
NOTES:
 When placing your order of AG generator, if you indicate Model (e.g. HITACHI LR135-31), Mfg.No., Part Name and Part No. of that generator in your Order Sheet, you will be supplied with proper parts. (There are some cases that the fitted generator have been replaced with the same type and new type. In such cases, please pay attention to the distinction between old type and new type is difficult to make out from engine No. alone. Thus, pay your attention to this regard.)
 A. Kindly confirm Model and Mfg.No. of generator from label stuck to the generator being used.
 B. Enter Varmer part No. in your Order Sheet.

Remarks
 (1)INC 30.

REF.	LEV.	PARTS NO.	DESCRIPTION	QTY						I	R
				(A)	(B)	(C)	(D)	(E)	(F)		
1	1	121370-77200	GENERATOR	1							
1-1	1	128170-77200	GENERATOR	1							R
		(A=EXXX)									
2	2	XLR135Y1100	ROTOR ASSY	1							
2-1	2	XL13561001	ROTOR ASSY	1							S
		(A=EXXX)									
4	3	X6201SD	BEARING	1							
5	2	XL135Y1200	STATOR ASSY	1							
5-1	2	XL1356200	STATOR ASSY	1							S
		(A=EXXX)									
6	2	XL135Y1300	COVER ASSY, REAR	1							
6-1	2	XL13523001	COVER ASSY, REAR	1							S
		(A=EXXX)									
7	3	XL135Y1301	COVER, REAR	1							
7-1	3	XL1358301	COVER	1							S
		(A=EXXX)									
8	3	XL135Y1302	SR HOLDER (+)	1							
8-1	3	XL1353320	DIODE ASSY	1							S
		(A=EXXX)									
10	3	XL135Y1303	SR HOLDER (-)	1							Z
		(A=EXXX)									
13	3	XL135Y1310	TERMINAL ASSY	2							Z
		(A=EXXX)									
16	3	XL135Y1311	TERMINAL ASSY	1							Z
		(A=EXXX)									
19	3	XL135Y1320	BRUSH HOLDER ASY	1							Z
		(A=EXXX)									
20	3	XL135Y1803	SCREW SET	2							Z
		(A=EXXX)									
22	4	26557-050362	SCREW M5X 36	2							Z
		(A=EXXX)									
23	3	XL135Y1810	LOCK, BEARING	1							Z
		(A=EXXX)									
24	3	XMV11305	CONTROL UNIT, FIELD	1							Z
		(A=EXXX)									
25	3	XMV11306	CR ASSY	1							
25-1	3	XL1202310	BOLT ASSY, TERMINAL	1							S
		(A=EXXX)									
26	4	XTR1Z28	IC REGULATOR	1							Z
		(A=EXXX)									
27	3	26557-050162	SCREW M 5X 16	1							
27-1	3	26557-050142	SCREW M 5X 14	1							S
		(A=EXXX)									
28	3	XL13533151	BRUSH W/REGURATOR	1							W
		(A=EXXX)									
29	4	XL1208326	BRUSH ASSY	1							W 1
		(A=EXXX)									
30	4	XL12013262	BRUSH	2							W
		(A=EXXX)									
31	4	XL1351318	CONDENSER	1							W
		(A=EXXX)									

N:Old $\xrightarrow{\text{Yes}}$ New, Q:Old $\xrightarrow{\text{No}}$ New, R:Old $\xrightarrow{\text{Yes}}$ New, S:Old $\xrightarrow{\text{No}}$ New, W:Add, Z:Discontinued, F:Interchangeable by set, K:Q'ty Change
 ++ CONTINUE ++
 (C)Copy Rights YANMAR CO.,LTD.

Fig.26. GENERATOR COMPONENT PART(OPTIONAL)



NOTES:
 When placing your order of AC generator, if you indicate Model (e.g. HITACHI LR135-31), Mfg.No, Part Name and Part No. of that generator in your order sheet, you will be supplied with proper parts. (There are some cases that the AC generator have been changed to new type by model change, etc. Please refer to the Part Name, etc. and distinction between old type and new type is difficult to make out from engine No. alone. Therefore your attention to this regard.)
 A. Kindly confirm Model and Mfg.No. of generator from label stuck to the generator being used.
 B. Enter Yanner part No. in your Order Sheet.

(A)=2QM15

(B)=

(C)=

(D)=

(E)=

(F)=

REF.	LEV.	PARTS NO.	DESCRIPTION	QTY						I	R
				(A)	(B)	(C)	(D)	(E)	(F)		
1	1	124070-77200	GENERATOR (LR155-04)	1							
2	2	XL16011006	ROTOR ASSY	1							
4	3	X6201SD	BEARING	1							
5	2	XL15512001	STATOR ASSY	1							
6	2	XL155Y1300	COVER ASSY, REAR	1							
8	3	XL155Y1302	SR HOLDER (+)	1							
10	3	XL155Y1303	SR HOLDER (-)	1							
13	3	XL155Y1312	TERMINAL ASSY	1							
16	3	XL155Y1803	SCREW SET	2							
18	4	26557-050402	SCREW M 5X 40	2							
19	3	XMV11305	CONTROL UNIT, FIELD	1							
20	3	XMV11306	CR ASSY	1							
21	3	XTR1Z28	IC REGULATOR	1							
22	3	26557-050162	SCREW M 5X 16	2							1
23	3	XL155Y1310	TERMINAL ASSY	2							
26	3	XL155Y1311	TERMINAL ASSY	1							
29	3	XL135Y1320	BRUSH HOLDER ASY	1							
30	2	XL155Y1820	COVER	1							
31	2	26557-050102	SCREW M 5X 10	2							
32	2	XL155Y1400	COVER ASSY, FRONT	1							
33	3	XL15014041	RETAINER, BEARING	1							
35	3	X6302B	BALL BEARING	1							
36	3	26557-050202	SCREW M 5X 20	3							
37	2	XL155Y1504	PULLEY ASSY	1							
38	2	XL1602801Y	BOLT, THROUGH	4							
39	2	XB474214A	BOLT, THROUGH	1							

Fig.27. PACKING KIT(OPTIONAL)

(A)=2QM15
(B)=
(C)=

(D)=
(E)=
(F)=

REF.	LEV.	PARTS NO.	DESCRIPTION	Q'TY						I	R
				(A)	(B)	(C)	(D)	(E)	(F)		
1	1	724070-92600	GASKET SET	1							
2	2	124070-01510	GASKET, GEAR CASE	1							
3	2	124070-01530	GASKET	1							
4	2	124070-01560	GASKET	1							
5	2	124060-01741	GASKET	1							
5-1	2	124060-01742	GASKET	1							R
(A=E XXX)											
6	2	124223-01850	GASKET	1							
7	2	124060-02020	GASKET	1							
8	2	124060-01750	GASKET	1							
9	2	101204-11450	GASKET, CHAMBER	1							
9-1	2	101204-11452	GASKET, CHAMBER	1							N
(A=E XXX)											
10	2	103854-11490	INSULATOR	2							
11	2	124450-11681	GASKET	1							
12	2	124060-32091	GASKET	1							
12-1	2	124060-32092	GASKET	1							N
(A=E XXX)											
13	2	124060-34841	GASKET	2							
13-1	2	124060-34842	GASKET	2							N
(A=E XXX)											
14	2	104211-42090	GASKET	1							
15	2	104211-49160	PACKING	1							
16	2	174307-51270	GASKET	2							
17	2	124550-51350	GASKET, DELIVERY	2							
18	2	172100-53200	GASKET	2							
19	2	124060-77170	GASKET	1							
20	2	23414-080000	GASKET 8, ROUND	20							
21	2	23414-100000	GASKET 10, ROUND	5							
22	2	23414-120000	GASKET 12, ROUND	20							
23	2	23414-160000	GASKET 16, ROUND	5							
24	2	23414-250000	GASKET 25,ROUND	5							
25	2	43400-500400	SEAL WASHER 6	2							
26	2	43400-500410	SEAL WASHER 8S	4							
27	2	43400-500430	SEAL WASHER 10S	2							
28	2	43400-500490	SEAL WASHER 16S	1							

Remarks
THIS FIGURE ARE NOT ILLUSTRATED.

Fig.28. SPAIR PART KIT

(A)=2QM15

(B)=

(C)=

(D)=

(E)=

(F)=

REF.	LEV.	PARTS NO.	DESCRIPTION	Q'TY						I	R
				(A)	(B)	(C)	(D)	(E)	(F)		
1	1	724070-92500	REPAIR SET	1							
2	2	124060-01330	GASKET, CYL. HEAD	1							
3	2	124770-13130	GASKET	1							
4	2	124770-13170	GASKET	1							
5	2	124770-13180	GASKET	1							
6	2	724070-22500	RING SET,PISTON	2							
7	2	124450-35100	FILTER, LUB. OIL	1							
8	2	124060-39451	SENDER, OIL PRESSURE	1							
9	2	104211-42070	IMPELLER, C. WATER	1							
10	2	124770-49200	THERMOSTAT	1							
11	2	124770-53000	NOZZLE ASSY,F.INJECT	2							
12	2	104500-55710	ELEMENT, FUEL	1							
13	2	104514-77350	V-BELT (HM-23)	1							
14	2	105582-77790	V-BELT (31 INCH)	1							
15	2	27210-200300	ZINC, ANTI-CORROSIVE	2							
16	2	46150-001110	BULB(12V3W/G11.BA9S)	3							
17	2	46150-003660	FUSE 20A	1							
17-1	2	46150-003680	FUSE 30A	1							N
(A=EXXX)											
18	2	46150-004530	SENDER	1							
18-1	2	46150-004531	SENDER	1							N
(A=EXXX)											

Remarks
THIS FIGURE ARE NOT ILLUSTRATED.

Part Number Index

All parts are stipulated in the order of part numbers.

(Depending on the area in which the part is used.)

This index will display the location of the part according to each part number.

PARTS No. INDEX

PARTS No.	Fig.	Ref.No.
101104-92180	22	9
101147-11900	3	46
101147-59810	13	33
101158-11190	3	12
101158-11230	3	54
101204-11450	3	44
	27	9
101204-11452	3	44 -1
	27	9 -1
101300-92140	22	8
101720-55750	13	7
102103-55520	13	6
102210-07990	18	11
103338-01240	1	8
		8 -1
103338-32570	8	5
103338-92030	22	4
103854-11490	3	45
	27	10
103854-53100	12	2
103854-53120	12	6
103854-53180	12	9
103854-66420	14	29
104107-44780	16	27
104200-03600	3	59
104200-03641	3	66
104200-11100	3	3
104200-11110	3	4
104200-11180	3	11
104200-11350	3	6
104200-11920	4	12
104200-14200	5	7
104200-22300	7	7
104200-53080	12	4
104200-59170	13	19
104200-92350	21	7
104211-11370	3	50
104211-21600	6	20
104211-42050	9	9
		26
104211-42070	9	8
	28	9
104211-42080	9	13
104211-42090	9	14
		25
	27	14
104211-42100	9	7
104211-42110	9	6
104211-42120	9	12
104211-42130	9	11

PARTS No.	Fig.	Ref.No.
104211-49060	9	20
	10	22
		26
104211-49080	10	35
104211-49160	10	27
	27	15
104211-61200	14	4
104211-61520	14	21
104214-03700	3	82
104214-13580	4	32
104214-46000	9	22
104214-46830	9	27
104214-46840	9	28
104214-83980	20	38
104214-83990	20	39
104264-39700	8	28
104264-39710	8	29
104271-08340	18	54
104271-49060	9	20 -1
	10	26 -1
104271-91350	17	9 -1
104271-91351	17	9 -2
104300-01220	1	7
		7 -1
	3	80
104500-55710	13	3
	28	12
104514-77350	9	21
	28	13
104564-49210	4	33
105425-51500	11	21
105582-49900	10	3
		6
105582-59150	13	18
105582-59190	13	38
105582-77790	16	7
	28	14
105584-59090	13	17
110250-53150	12	8
110250-55610	13	5
113200-53110	12	5
113200-53120	12	7
114060-11290	3	48
121250-77210	16	5
121370-11750	3	25
121370-49060	10	1 -1
121370-55600	13	1
121370-55601	13	1 -1
121370-55730	13	4
121370-77200	16	4

PARTS No.	Fig.	Ref.No.
121370-77200	25	1
121370-77950	16	23
121400-39240	13	32 -1
121450-01960	8	22 -1
121575-49300	10	25 -1
122117-51560	11	25
123210-09310	3	38
	10	20
123220-46910	9	32
123220-46922	9	34
123220-46951	9	36
123310-77640	17	13
124060-01050	1	3
124060-01200	1	4
		4 -1
124060-01201	1	5
124060-01300	1	18
124060-01330	1	19
	28	2
124060-01540	1	13
124060-01741	1	25
	27	5
124060-01742	1	25 -1
	27	5 -1
124060-01750	27	8
124060-01900	2	7
124060-02020	6	13
	27	7
124060-02101	6	11
		17
124060-02110	6	16
		18
124060-02220	6	12
124060-03760	3	62
124060-11120	3	10
124060-11160	3	8
124060-11170	3	9
124060-11260	3	47
124060-11280	3	34
124060-11310	3	73
124060-11311	3	73 -1
124060-14400	5	8
124060-21200	6	5
124060-23100	7	12
124060-23201	7	11
124060-23300	7	13
124060-32091	8	9
	27	12
124060-32092	8	9 -1
	27	12 -1

PARTS No.	Fig.	Ref.No.
124060-32130	8	11
124060-32990	8	6
124060-34841	1	10
		42
	27	13
124060-34842	1	10 -1
		42 -1
	27	13 -1
124060-39200	8	24
124060-39451	8	27
	28	8
124060-51300	11	13
124060-59101	2	20
124060-59900	13	12
124060-66010	14	22
124060-77170	3	27
	27	19
124060-92010	22	2
124060-92400	22	7
124070-01400	1	41
124070-01510	2	21
	27	2
124070-01530	2	22
	27	3
124070-01550	1	29
124070-01560	1	30
	27	4
124070-01600	1	34
124070-01720	1	24
124070-01850	2	23
124070-03080	2	15
124070-03100	2	19
124070-03720	3	74
124070-03750	3	61
124070-03770	3	63
124070-07230	3	79
124070-08110	1	46
124070-08340	18	55
124070-08341	18	55 -1
124070-11400	3	40 -1
124070-11410	3	43
124070-11420	3	40
124070-11650	3	26
124070-11670	3	28
124070-12700	4	3
124070-13300	4	30
124070-13500	4	22
124070-13520	4	28
124070-14090	5	11
124070-14100	5	12

PARTS No. INDEX

PARTS No.	Fig.	Ref.No.
124070-14600	5	13
124070-14760	5	5
124070-21590	6	19
124070-21650	6	6
124070-21950	6	7
124070-34800	1	40
124070-34830	1	9
124070-42000	9	1
124070-42060	9	3
124070-42400	9	16
124070-42410	9	19
124070-42420	9	18
124070-46820	9	24
124070-49020	10	8
124070-49060	10	4
124070-49070	10	1
124070-49310	10	11
124070-49910	10	7
124070-51100	11	3
124070-52010	13	26
124070-59010	13	15
124070-59030	13	16
124070-59060	13	36
124070-59500	13	31
124070-59650	13	20
124070-59810	13	10
124070-59820	13	11
124070-61090	14	9
124070-61110	14	2
124070-61220	14	3
124070-61600	14	8
124070-61900	14	12
124070-61910	14	19
124070-66010	14	22 -1
124070-66100	14	51
124070-66550	14	31
124070-66740	14	52
124070-67100	14	56
124070-67550	14	60
124070-76790	2	36
124070-77010	16	1
	24	1
124070-77200	16	26
	26	1
124070-77330	16	28
124070-77800	16	16
124070-77801	16	16 -1
124070-77920	16	19
124070-77950	16	21
124070-86300	18	50

PARTS No.	Fig.	Ref.No.
124070-86400	18	68
124070-86410	18	63
124070-91000	17	1
124070-91010	17	2
124070-91030	17	10
124070-91100	17	15
124070-91160	16	25
124070-91250	17	5
124070-91290	17	6
124070-91300	17	7
124070-91310	17	8
124070-91350	17	9
124070-91520	17	18
124070-91550	17	19
124070-92050	22	1
124160-01210	1	6
124160-01750	3	71
124160-11340	3	13
124160-11360	3	77
124160-21500	6	21
124220-09320	3	35
	10	18
124220-51890	11	29 -1
124223-01850	13	27
	27	6
124223-46100	9	33
124223-49300	4	9
	10	25
124223-49750	4	11
124224-09340	3	39
	10	21
124450-01800	2	12
124450-11320	3	14
124450-11681	3	29
	27	11
124450-11900	4	19
124450-35070	8	21
124450-35100	8	12
	28	7
124450-35301	8	13
124450-35320	8	16
124450-35330	8	17
124450-35350	5	4
	8	19
124450-39140	8	25
124450-39240	13	32
124450-44560	1	23
124450-77330	16	6
124550-51011	11	2
124550-51320	11	14

PARTS No.	Fig.	Ref.No.
124550-51341	11	15
124550-51350	11	16
	27	17
124550-51370	11	26
124550-51950	2	24
124550-77030	16	2
124660-92020	22	3
124770-11770	2	16
124770-12500	4	1
124770-12540	4	2
124770-13130	4	20
	28	3
124770-13150	4	13
124770-13170	4	14
	28	4
124770-13180	4	16
	28	5
124770-13690	4	24
124770-49040	4	25
124770-49190	10	23
124770-49200	10	29
	28	10
124770-49310	10	12
124770-53000	12	3
	28	11
124770-77940	16	20
124770-85400	20	30
124770-91040	17	11
124770-91200	17	3
124770-91230	17	4
124770-91500	17	17
124772-08340	18	59
124772-13160	4	15
124772-35060	8	20
124772-59660	13	21
124772-59670	13	22
124772-66200	14	46
124772-66220	14	48
124772-66700	14	37
		38
124772-66720	14	39
124772-66730	14	40
124772-66750	14	41
124772-66760	14	42
124772-81050	19	6
124772-85910	20	43
128170-77200	16	4 -1
	25	1 -1
135210-61090	14	35
138603-59380	13	39

PARTS No.	Fig.	Ref.No.
145410-46960	2	6
172100-22400	7	8
172100-53200	12	10
	27	18
174100-54120	11	12
174307-51170	11	4
174307-51181	11	5
174307-51190	11	6
174307-51250	11	17
174307-51270	11	18
	27	16
174307-51450	11	19
174307-51460	11	20
174307-51510	11	22
174307-51550	11	23
174307-51560	11	24
174307-51700	11	27
177080-02030	18	15
177080-02720	18	27
177080-02730	18	28
177090-02620	18	31
177090-02630	18	32
177090-03080	20	21
177090-03090	20	22
177090-03110	20	18
177090-03121	20	20
177090-03180	20	13
177090-03230	20	8
177090-03270	20	24
177090-09010	23	1
177095-02400	18	21
177095-02980	18	26
177095-03190	20	9
177095-03200	18	41
	20	10
177095-03210	20	14
177095-03280	20	19
177095-03800	20	25
177095-03900	20	26
177095-06030	18	38
177095-06040	18	43
177095-06050	18	39
177095-06060	18	42
177095-06140	18	40
177095-09020	23	2
177095-09070	23	5
177095-09170	23	4
177099-02081	18	18
177099-02091	18	19
177099-02130	18	14

PARTS No. INDEX

PARTS No.	Fig.	Ref.No.
177099-02250	18	37
177099-02450	18	22
177099-02950	18	24
177099-02960	18	25
177099-03011	19	3
177099-03021	20	1
177099-03040	20	4
177099-03070	20	11
177099-03080	20	12
177099-03101	20	15
177099-03111	20	17
177099-03161	20	23
177099-03301	19	10
177099-03311	19	11
177099-03321	19	13
177099-03411	19	4
177099-03431	20	16
177099-03470	20	27
177099-03540	20	29
177099-03550	20	28
177099-03900	19	14
177099-03901	19	14 -1
177099-03920	19	5
	20	3
177099-03980	19	11 -1
177099-06010	18	33
177099-06041	18	36
177099-06050	18	6
177099-09010	23	6
177099-09020	23	8
177099-09030	23	7
177099-09040	23	3
189040-01860	1	26
41710-000380	15	1
41710-000400	15	5
41710-000410	15	2
41710-000790	15	3
41730-000680	15	4
43400-500400	1	44
	27	25
43400-500410	2	5
	27	26
43400-500430	14	32
	27	27
43400-500490	14	20
	27	28
43600-500290	1	20
43662-010020	10	30
43662-010030	10	30 -1
43666-020951	10	37

PARTS No.	Fig.	Ref.No.
46150-001110	17	12
		16
	28	16
46150-003660	16	24
	28	17
46150-003680	16	24 -1
	28	17 -1
46150-004530	3	81
	28	18
46150-004531	3	81 -1
	28	18 -1
48110-025062	20	32
48110-028062	20	33
48110-032411	20	34
704507-92100	21	1
711100-51540	11	9
724060-02500	6	9
724060-11650	3	51
724060-21700	6	1
724060-22722	7	1 -1
724060-53101	12	1
724070-01560	1	1
724070-01610	2	1
724070-01620	2	13
724070-01730	10	15
724070-01900	1	16
724070-03600	3	58
724070-11520	3	56
724070-11700	3	1
724070-13200	4	21
724070-13300	4	27
724070-13500	4	7
724070-14580	5	1
724070-22500	7	3
	28	6
724070-22720	7	1
724070-32700	8	1
724070-51700	11	1
724070-61500	14	13
724070-61520	14	1
724070-66530	14	23
724070-92500	28	1
724070-92600	27	1
724550-51520	11	7
724660-23100	7	9
777099-02550	18	1
777099-03011	19	1
777099-03021	19	9
777099-03211	19	2
83211-002013	13	35

PARTS No.	Fig.	Ref.No.
X21141360	24	16
X211416007	24	20
X21142742	24	36
X21142835	24	34
X211432001	24	11
X21143454	24	27
X21143963	24	22
X21144314	24	18
X21144661	24	21
X211453002	24	14
X21145312	24	13
X21145313	24	17
X21145352	24	15
X211455003	24	19
X211467005	24	31
X21146815	24	32
X21147155	24	7
X21147215	24	12
X21148110	24	3
X21148652	24	28
X211491001	24	2
X6201SD	25	4
	26	4
X6302B	25	36
	26	35
X6302BM	25	36 -1
XB4444001A	25	46
XB474214A	26	39
XB495469B	25	46 -1
XL12013262	25	30
XL1202310	25	25 -1
XL1208326	25	29
XL1254801	25	43 -1
XL1255801	25	44 -1
XL13513134	25	33
XL1351318	25	31
XL13514042	25	35 -1
XL13523001	25	6 -1
XL13525001	25	38 -1
XL13533151	25	28
XL1353320	25	8 -1
XL13561001	25	2 -1
XL1356200	25	5 -1
XL1358301	25	7 -1
XL1359400	25	34 -1
XL135Y1200	25	5
XL135Y1300	25	6
XL135Y1301	25	7
XL135Y1302	25	8
XL135Y1303	25	10

PARTS No.	Fig.	Ref.No.
XL135Y1310	25	13
XL135Y1311	25	16
XL135Y1320	25	19
	26	29
XL135Y1400	25	34
XL135Y1401	25	35
XL135Y1531	25	38
XL135Y1801	25	43
XL135Y1802	25	44
XL135Y1803	25	20
XL135Y1810	25	23
XL135Y1820	25	45
XL15014041	26	33
XL15512001	26	5
XL155Y1300	26	6
XL155Y1302	26	8
XL155Y1303	26	10
XL155Y1310	26	23
XL155Y1311	26	26
XL155Y1312	26	13
XL155Y1400	26	32
XL155Y1504	26	37
XL155Y1803	26	16
XL155Y1820	26	30
XL16011006	26	2
XL1602801Y	26	38
XLR135Y1100	25	2
XMV11305	25	24
	26	19
XMV11306	25	25
	26	20
XTR1Z28	25	26
	26	21
XTR1Z49	25	32



YANMAR CO., LTD.