



# PARTS CATALOG

Published

2008/7 (Jul.)

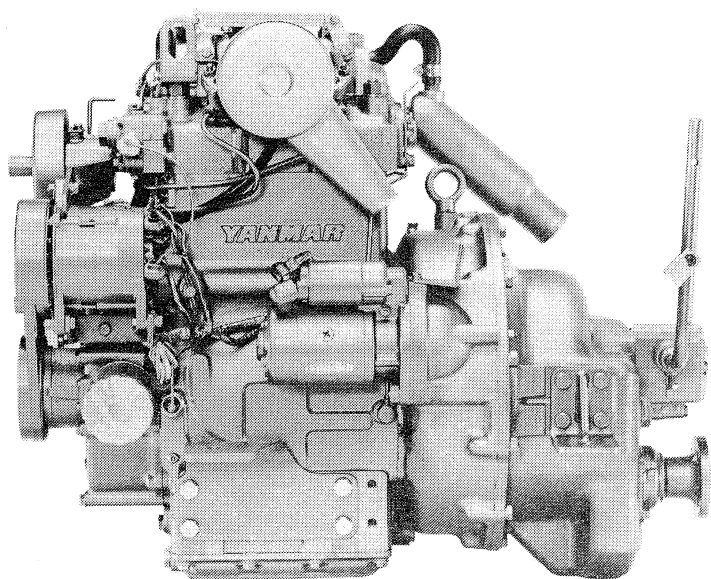
---

0CR10-G09109

# Introduction

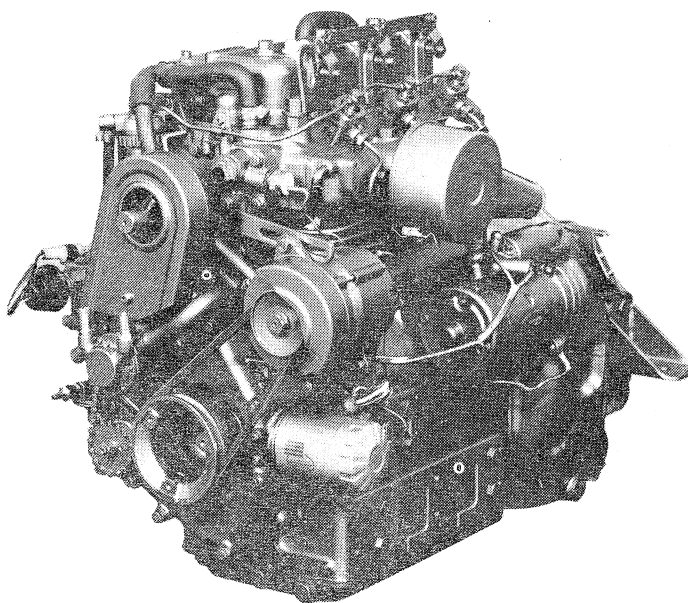
1. This is the parts catalog for 2QM20, 3QM30, 2QM, 3QM Diesel engine.  
(Parts catalog No. 000Y00R0919)
2. This parts catalog does not contain the technical data needed for maintenance service.
3. The illustrations used in this parts catalog have been simplified for clarity.
4. The contents of this parts catalog are subject to change without notice.
5. Be sure to use only Yanmar genuine part for repairs. If imitation parts are used, it may cause engine defects.

# Export Models (貿易用機関)



2QM20

First Published: May, 1973  
First Revised: May, 1975  
Second Revised: July, 1976  
3rd Revised: June, 1977  
4th Revised: September, 1979



3QM30

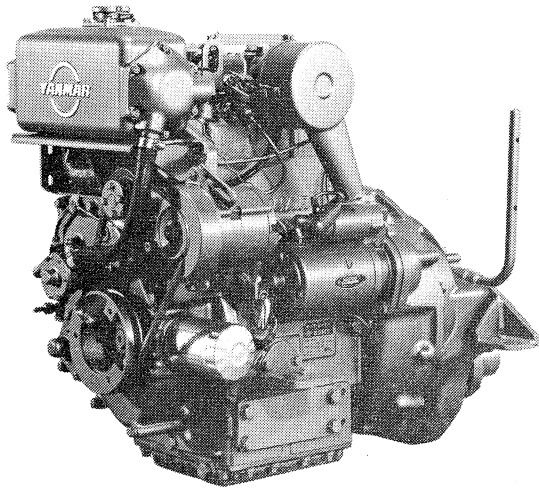
**MODEL 2QM20 · 3QM30**

September, 1979

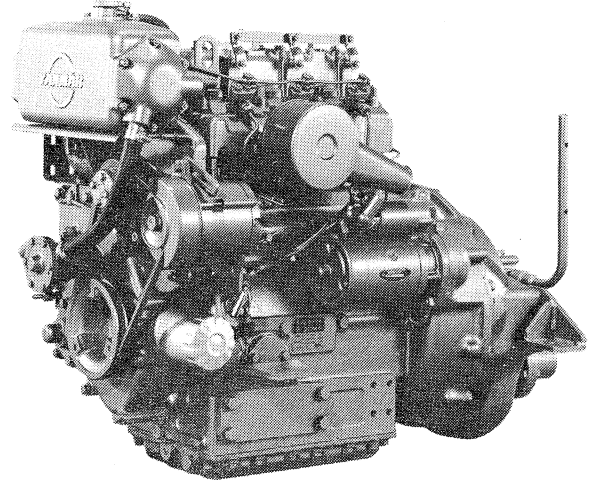
Pub. No. 000Y00R0919

# 国内用機関

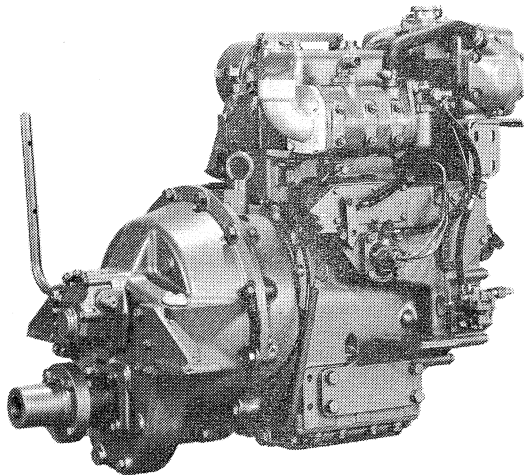
(Domestic Models)



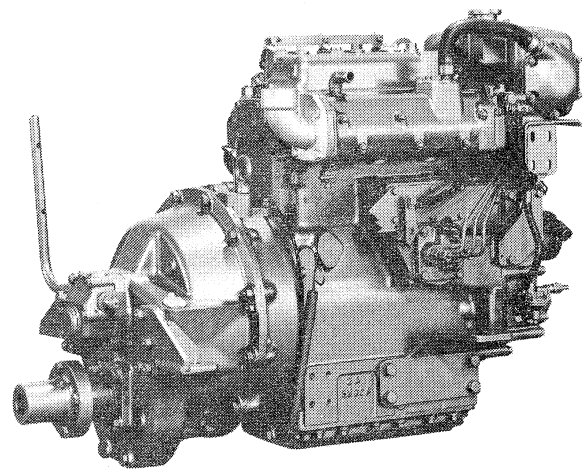
2QM



3QM



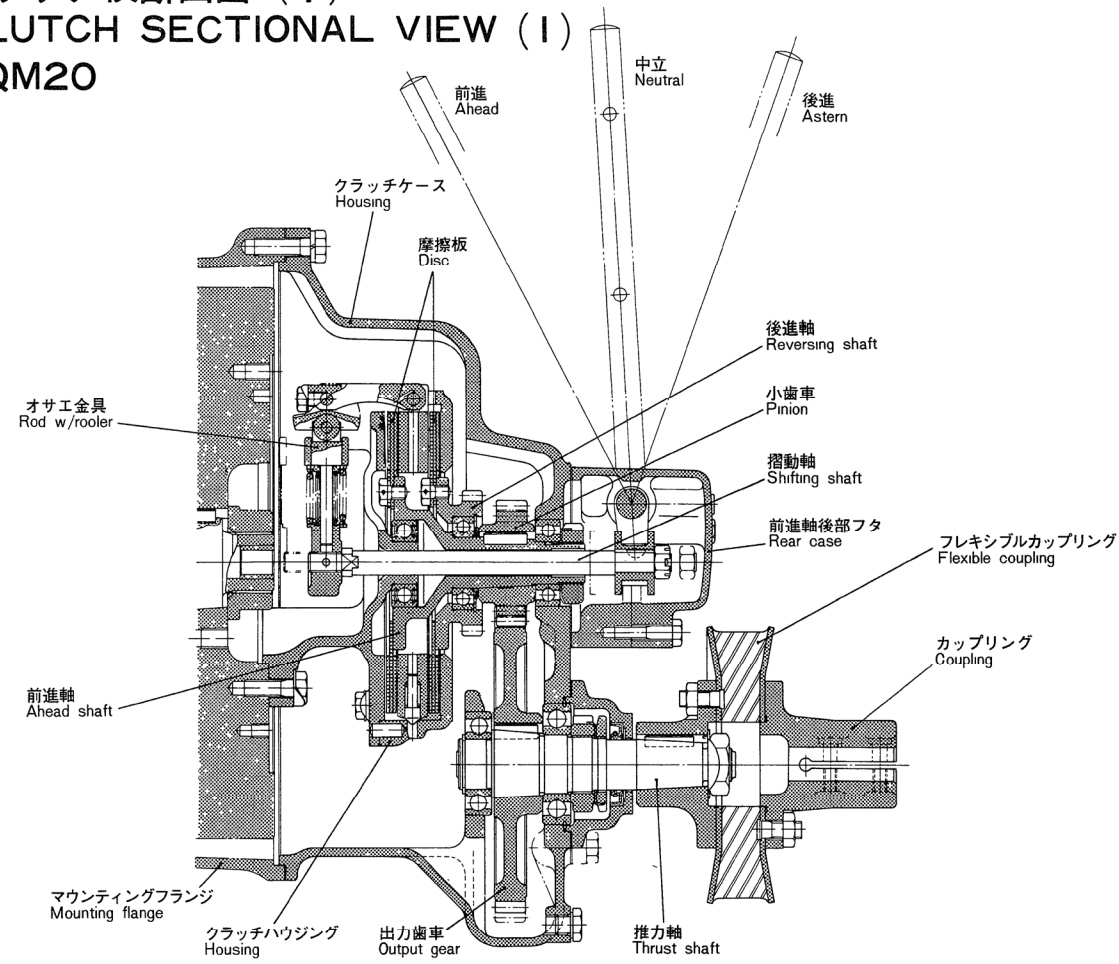
2QM



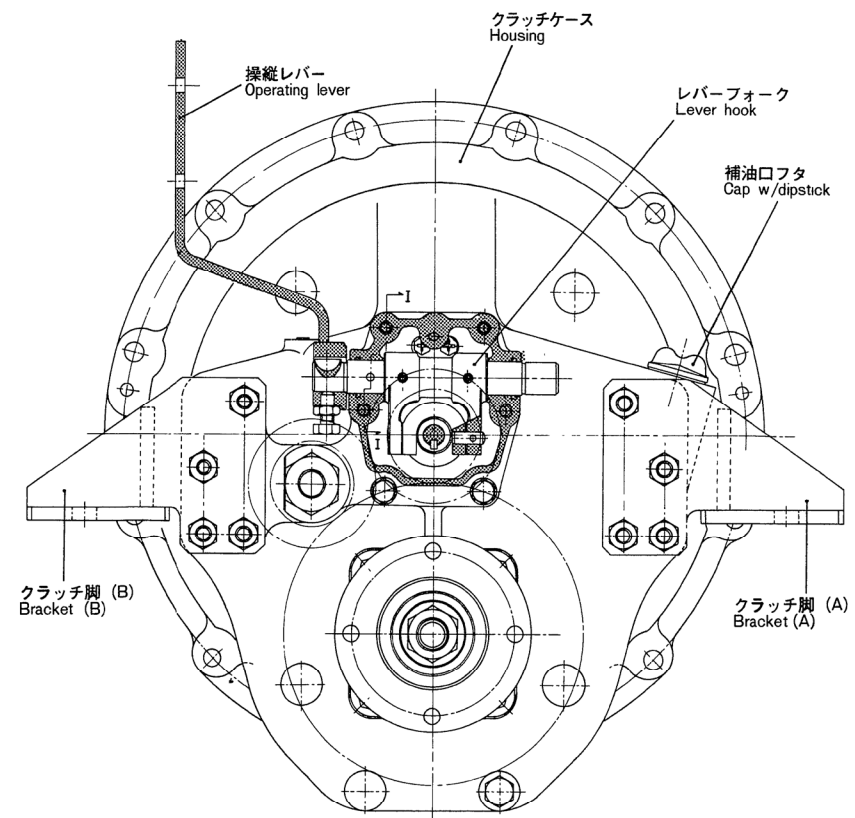
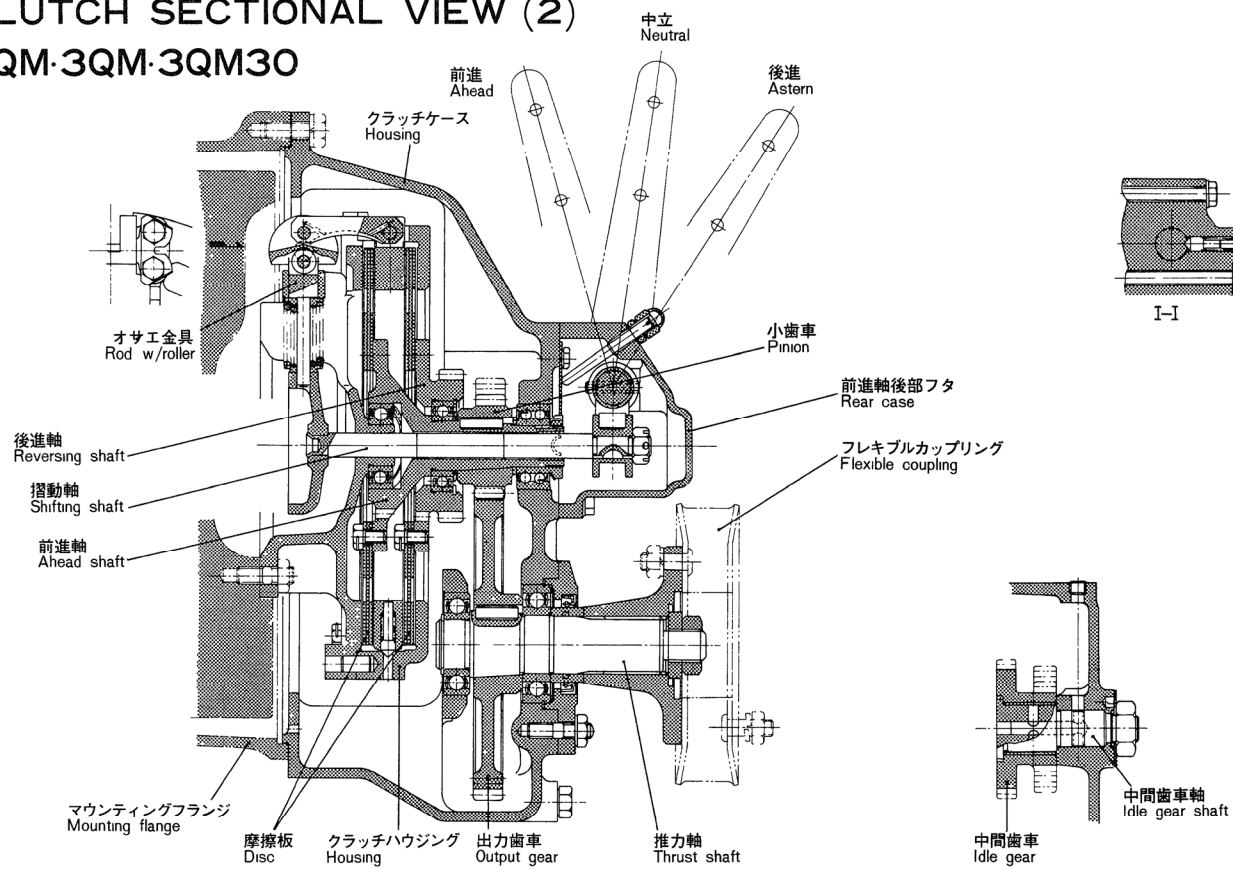
3QM

MODEL **2QM·3QM**

クラッチ横断面図 (1)  
CLUTCH SECTIONAL VIEW (1)  
2QM20



クラッチ横断面図 (2)  
CLUTCH SECTIONAL VIEW (2)  
2QM・3QM・3QM30



# CONTENTS

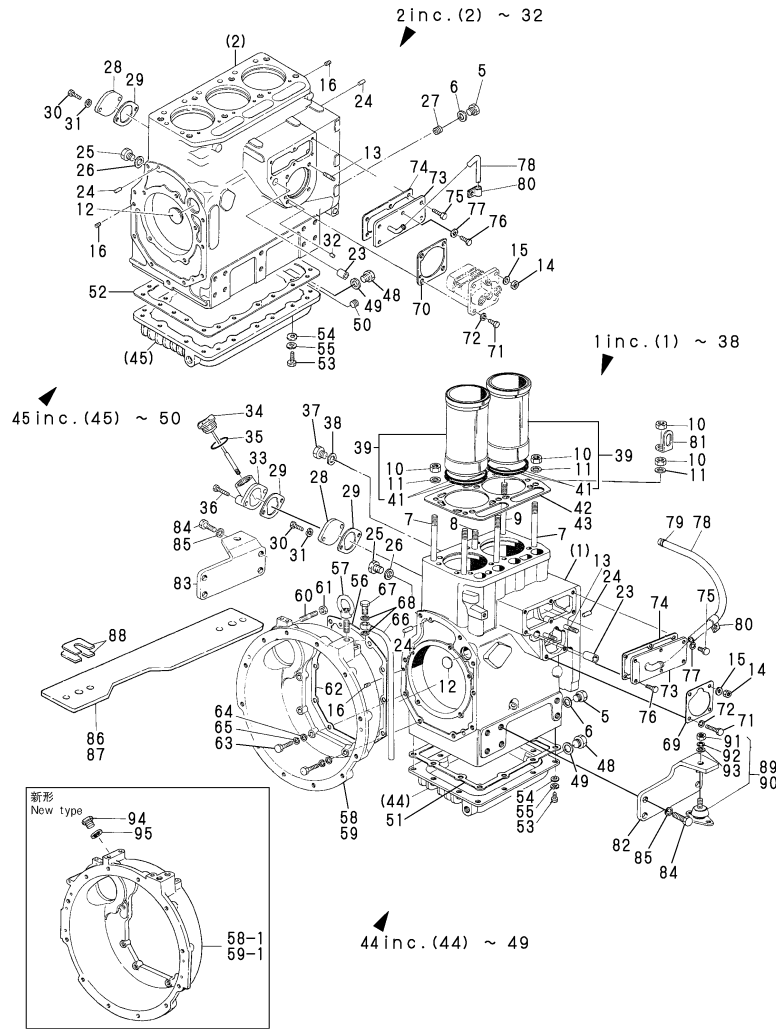
MODEL : 2QM(20)/3QM(30)

PC NO : 0CR10-G09109

Fig.No.	GROUP NAME
2QM(20)/3QM(30)	
1.	CYLINDER BLOCK
2.	GEAR HOUSING
3.	CYLINDER HEAD
4.	SILENCER & EXHAUST MANIFOLD
5.	CAMSHAFT
6.	MAIN METAL & CRANKSHAFT
7.	PISTON & CONNECTING ROD
8.	LUB.OIL SYSTEM
9.	C.S.W.PUMP & BILGE PUMP
10.	C.S.W.PUMP & BILGE PUMP
11.	C.F.W.PUMP & C.F.W.COOLER
12.	COOLING WATER SYSTEM
13.	FUEL INJECTION PUMP
14.	FUEL INJECTION VALVE
15.	FUEL SYSTEM
16.	REMOTE-CONTROL DEVICE(OPTIONAL)
17.	GOVERNOR
18.	HAND STARTING MECHANISM
19.	STARTING MOTOR & GENERATOR
20.	INSTRUMENT PANEL
21.	INSTRUMENT PANEL
22.	CLUTCH HOUSING
23.	FRICTION DISC & AHEAD SHAFT
24.	IDLE GEAR SHAFT & THRUST SHAFT
25.	TOOL
26.	SPECIAL TOOL(OPTIONAL)
27.	PACKING KIT(OPTIONAL)
28.	SPAIR PART KIT
29.	REPAIR KIT FOR INSPECTION

Fig.No.	GROUP NAME
30.	GENERATOR COMPONENT PART
31.	STARTING MOTOR COMPONENT PART(12V 1.0KW)
32.	STARTING MOTOR COMPONENT PART(12V 1.8KW)
33.	CLUTCH KBW-10A(FOR 2QM20)(OPTIONAL)
34.	CLUTCH KH-18A(FOR 3QM30)(OPTIONAL)
35.	SPECIAL TOOL(KBW-10A & KH18-A)

Fig.1. CYLINDER BLOCK

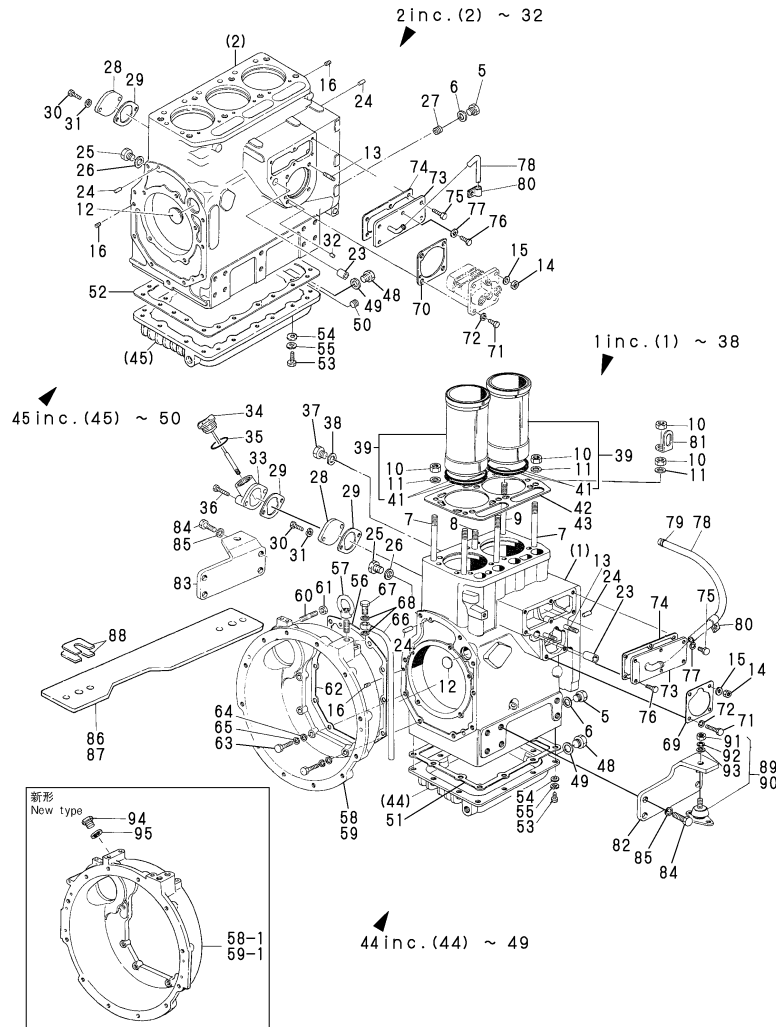


Remarks  
 (1)CYL.BLOCK ASSY FOR 2QM OR 2QM20 CONTAINS THE ABOVE-MENTIONED PART FROM REF.NO.33 UP TO REF.NO.38 AS EXTRAS IN ORDER TO MAKE THE ASSY INTERCHGEABLE WITH CYL.BLOCK ASSY OF TORACTOR. THUS,PAY MUCH ATTENTION TO THIS REGARD AT THE TIME OF REPAIRING OR REASSEMBLY. PLEASE BE SURE TO REMOVE.  
 (2)REFER TO FIG.6 FOR ILLUSTRATED.  
 (3)OPTIONAL(SELECTION USE PARATS)

(A)=2QM20 (D)=3QM  
 (B)=3QM30 (E)=  
 (C)=2QM (F)=

REF.	LEV.	PARTS NO.	DESCRIPTION	Q'TY						I	R
				(A)	(B)	(C)	(D)	(E)	(F)		
1	1	724465-01561	BLOCK ASSY, CYLINDER	1			1				
2	2	721370-01560	BLOCK ASSY, CYLINDER		1			1			
5	2	23897-020002	PLUG PF1/4,HEX.	1	1	1	1				
5-1	2	124160-01910	PLUG PT1/4	1		1					N
		(A=*1976.11)	(C=*1976.11)								
6	2	23414-120000	GASKET 12, ROUND	1	1	1	1				
6-1	2	23414-120000	GASKET 12, ROUND	1		1					Z
		(A=*1976.11)	(C=*1976.11)								
7	2	124450-01210	STUD, CYL. HEAD	4	7	4	7				
8	2	124450-01220	STUD, CYL. HEAD	1		1					
9	2	124450-01230	STUD, CYL. HEAD	1	1	1	1				
10	2	124450-01250	NUT, CYL. HEAD	7	9	7	9				
11	2	124450-01240	WASHER	6	8	6	8				
12	2	27231-400000	PLUG 40	1	1	1	1				
12-1	2	27233-400000	PLUG 40	1	1	1	1				N
		(A=EXXX)	(B=EXXX)	(C=EXXX)	(D=EXXX)						
13	2	26216-080222	STUD M 8X 22 PLATED	2	2	2	2				
14	2	26716-080002	NUT M 8	2	2	2	2				
15	2	43400-500410	SEAL WASHER 8S	2	2	2	2				
16	2	124060-01050	PLUG PT1/8	2	2	2	2				W
		(A=EXXX)	(B=EXXX)	(C=EXXX)	(D=EXXX)						
17	2	724465-02500	HOUSING ASSY,BEARING	1		1					2
18	2	721250-02500	HOUSING ASSY		1		1				2
19	2	124460-02150	GASKET	1	1	1	1				2
20	2	26116-100252	BOLT M10X 25 PLATED	5	5	5	5				2
21	2	22217-100000	SPRING WASHER 10	5	5	5	5				2
22	2	121250-02100	MEIN METAL	1	1	1	1				2
23	2	124550-01900	BUSH, REGULATOR	1	1	1	1				
24	2	22312-080160	PARALLEL PIN 8X 16	4	4	4	4				
25	2	23887-100002	PLUG 10	1	3	1	3				
25-1	2	23883-100002	PLUG 10	1	3	1	3				N
		(A=EXXX)	(B=EXXX)	(C=EXXX)	(D=EXXX)						
26	2	121250-01990	GASKET	1	3	1	3				
27	2	124160-01910	PLUG PT1/4		1		1				
28	2	124772-01400	COVER	1	1	1	1				
29	2	124160-34842	GASKET	1	1	1	1				
29-1	2	124160-34843	GASKET	1	1	1	1				N
		(A=EXXX)	(B=EXXX)	(C=EXXX)	(D=EXXX)						
29-2	2	124160-34844	GASKET	1	1	1	1				N
		(A=EXXX)	(B=EXXX)	(C=EXXX)	(D=EXXX)						
30	2	26116-080162	BOLT 8X16	2	2	2	2				
31	2	22212-080000	SPRING WASHER 8	2	2	2	2				
31-1	2	22217-080000	SPRING WASHER 8	2	2	2	2				N
		(A=EXXX)	(B=EXXX)	(C=EXXX)	(D=EXXX)						
32	2	22312-040100	PARALLEL PIN 4X10		1		1				
33	2	121250-01520	FLANGE	1		1					1
33-1	2	121250-01522	FLANGE	1		1					N 1
		(A=EXXX)	(C=EXXX)								
34	2	121250-01791	CAP W/DIPSTICK	1		1					1
35	2	24321-000350	O-RING 1A G-35.0	1		1					1
36	2	26116-080352	BOLT M 8X 35	2		2					1

Fig.1. CYLINDER BLOCK



Remarks  
 (1)CYL.BLOCK ASSY FOR 2QM OR 2QM20 CONTAINS THE ABOVE-MENTIONED PART FROM REF.NO.33 UP TO REF.NO.38 AS EXTRAS IN ORDER TO MAKE THE ASSY INTERCHGEABLE WITH CYL.BLOCK ASSY OF TORACTOR. THUS,PAY MUCH ATTENTION TO THIS REGARD AT THE TIME OF REPAIRING OR REASSEMBLY. PLEASE BE SURE TO REMOVE.  
 (2)REFER TO FIG.6 FOR ILLUSTRATED.  
 (3)OPTIONAL(SELECTION USE PARATS)

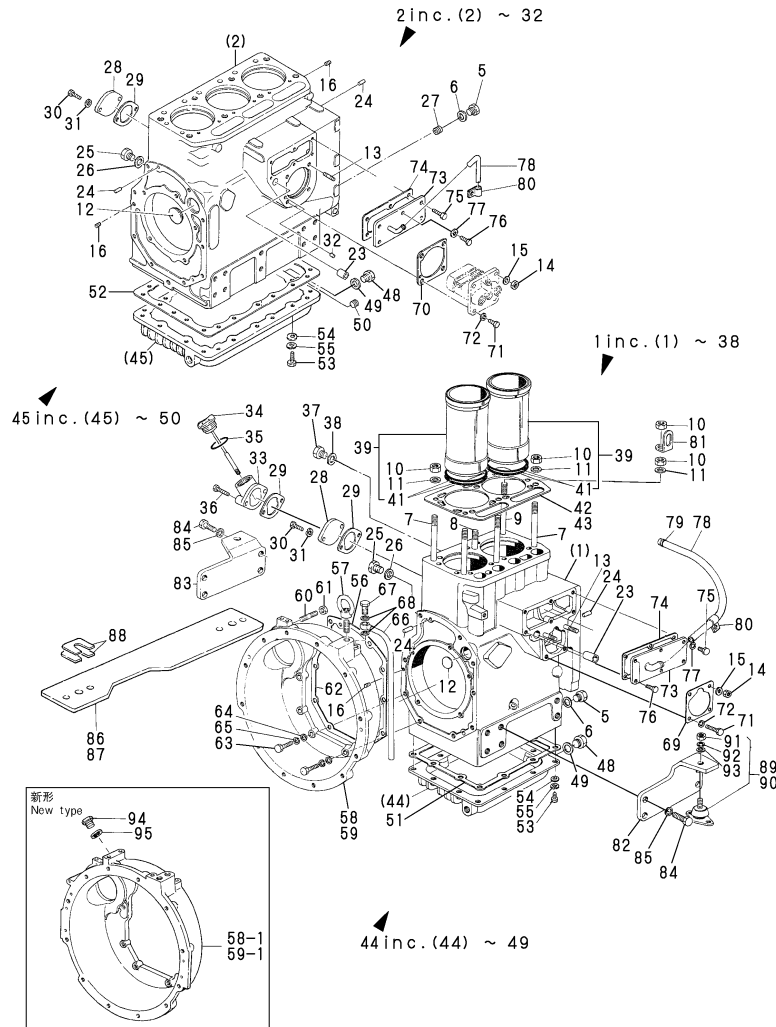
OCR10-G09109 1. CYLINDER BLOCK

(A)=2QM20 (D)=3QM  
 (B)=3QM30 (E)=  
 (C)=2QM (F)=

REF.	LEV.	PARTS NO.	DESCRIPTION	Q'TY						I	R
				(A)	(B)	(C)	(D)	(E)	(F)		
37	2	124450-01960	PLUG M14X15	1	1						1
38	2	124450-01980	GASKET	1	1						1
39	1	724770-01900	LINER W/PACKING, CYL	2	3	2	3				
41	2	124550-01300	PACKING, LINER	4	6	4	6				
42	1	124750-01331	GASKET, CYL. HEAD	1	1						
42-1	1	124772-01330	GASKET, CYL. HEAD	1	1						N
(A=*1976.12) (C=*1976.12)											
43	1	121370-01330	GASKET, CYL. HEAD		1		1				
43-1	1	121370-01331	GASKET, CYL. HEAD		1		1				N
(B=*1976.12) (D=*1976.12)											
44	1	724772-01540	SUMP ASSY, LUB OIL	1		1					
45	1	721370-01540	SUMP ASSY, LUB OIL		1		1				
48	2	23884-160002	PLUG 16	1	1	1	1				
48-1	2	23883-160002	PLUG 16	1	1	1	1				N
(A=EXXX) (B=EXXX) (C=EXXX) (D=EXXX)											
49	2	23414-160000	GASKET 16, ROUND	1	1	1	1				
50	2	23873-020000	PLUG PT 1/4		1		1				
51	1	124465-01750	GASKET	1		1					
51-1	1	124465-01751	GASKET	1		1					N
(A=EXXX) (C=EXXX)											
52	1	121250-01750	GASKET, OIL SUMP		1		1				
52-1	1	121250-01751	GASKET, OIL SUMP		1		1				N
(B=EXXX) (D=EXXX)											
53	1	26113-080302	BOLT M 8X 30	16	20	16	20				
54	1	22113-080000	WASHER 8	16	20	16	20				
55	1	189040-01860	SPRING WASHER 8	16	20	16	20				
56	1	124770-07210	STUD	1	1	1	1				
57	1	26620-120002	EYE NUT M12	1	1	1	1				
58	1	124772-01600	FLANGE, MOUNTING	1							
58-1	1	124790-01601	FLANGE, MOUNTING	1							S
(A=E/#84249)											
59	1	124790-01600	FLANGE, MOUNTING		1	1	1				
59-1	1	124790-01601	FLANGE, MOUNTING		1	1	1				N
(B=E/#81052) (C=E/#81097) (D=E/#81061)											
60	1	26226-120252	STUD M12X 25 PLATED	2	2	2	2				
61	1	26716-120002	NUT 12	2	2	2	2				
62	1	124772-01610	GASKET	1	1	1	1				
63	1	26116-100382	BOLT M10X 38 PLATED	9	9	9	9				
64	1	22137-100000	WASHER 10,POLISHED	9	9	9	9				
65	1	22212-100000	WASHER, 10	9	9	9	9				
65-1	1	22217-100000	SPRING WASHER 10	9	9	9	9				N
(A=EXXX) (B=EXXX) (C=EXXX) (D=EXXX)											
66	1	124770-03200	PIPE, BREATHER	1	1	1	1				
67	1	101147-59810	BOLT 8, PIPE JOINT	1	1	1	1				
68	1	23414-080000	GASKET 8, ROUND	2	2	2	2				
69	1	124550-51950	SHIM SET	1		1					
69-1	1	124550-51951	SHIM SET	1		1					N
(A=*1978.06) (C=*1978.06)											
70	1	121250-01950	SHIM SET		1		1				
70-1	1	121250-01951	SHIM SET		1		1				N
(B=*1978.06) (D=*1978.06)											



Fig.1. CYLINDER BLOCK

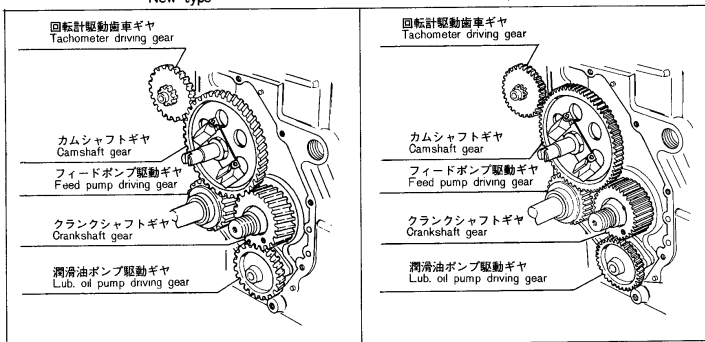
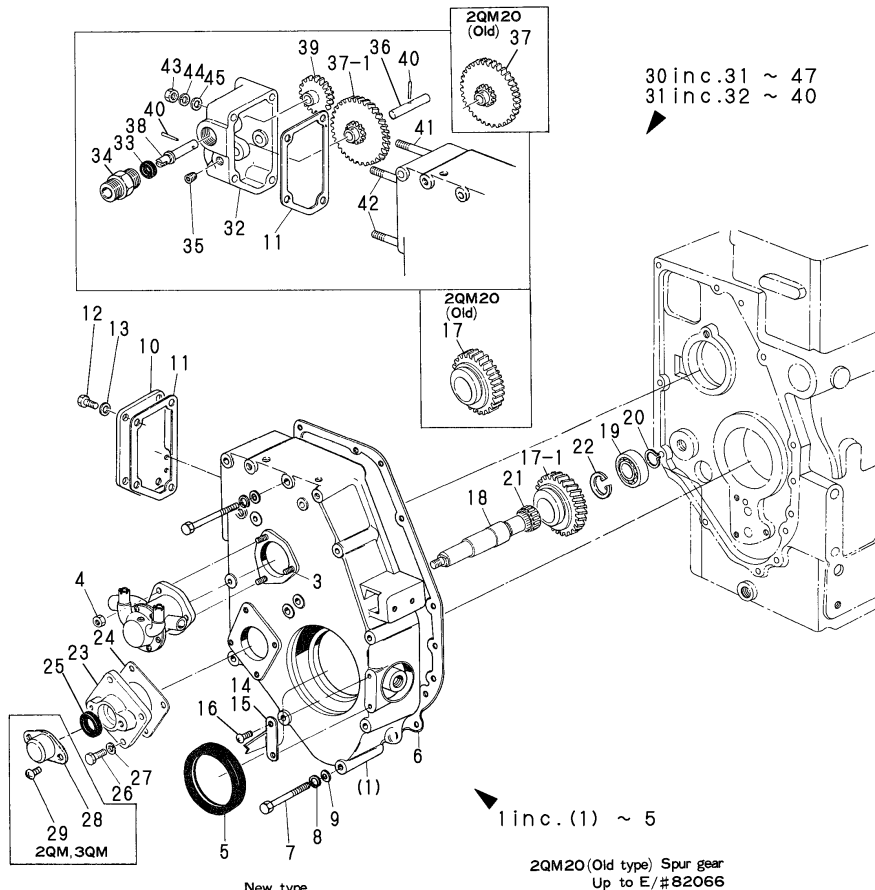


Remarks  
 (1)CYL.BLOCK ASSY FOR 2QM OR 2QM20  
 CONTAINS THE ABOVE-MENTIONED PART  
 FROM REF.NO.33 UP TO REF.NO.38 AS  
 EXTRAS IN ORDER TO MAKE THE ASSY  
 INTERCHGEABLE WITH CYL.BLOCK ASSY  
 OF TORACTOR. THUS,PAY MUCH ATTEN  
 -TION TO THIS REGARD AT THE TIME  
 OF REPAIRRING OR REASSEMBLY.  
 PLEASE BE SURE TO REMOVE.  
 (2)REFER TO FIG.6 FOR ILLUSTRATED.  
 (3)OPTIONAL(SELECTION USE PARATS)

(A)=2QM20  
 (B)=3QM30  
 (C)=2QM  
 (D)=3QM  
 (E)=  
 (F)=

REF.	LEV.	PARTS NO.	DESCRIPTION	Q'TY						I	R
				(A)	(B)	(C)	(D)	(E)	(F)		
71	1	26116-080222	BOLT M 8X 22 PLATED	2	2	2	2				
72	1	22212-080000	SPRING WASHER 8	2	2	2	2				
72-1	1	22217-080000	SPRING WASHER 8	2	2	2	2				N
		(A=E/XXX) (B=E/XXX) (C=E/XXX) (D=E/XXX)									
73	1	121250-01850	COVER	1	1	1	1				
74	1	124160-01861	GASKET	1	1	1	1				
74-1	1	124160-01862	GASKET	1	1	1	1				N
		(A=E/XXX) (B=E/XXX) (C=E/XXX) (D=E/XXX)									
74-2	1	124160-01863	GASKET	1	1	1	1				N
		(A=E/XXX) (B=E/XXX) (C=E/XXX) (D=E/XXX)									
75	1	26116-060122	BOLT 6X12	4	4	4	4				
76	1	26116-060162	BOLT 6X16	2	2	2	2				
77	1	22137-060000	WASHER 6, POLISHED	4	4	4	4				
78	1	23065-090620	PIPE 9X 620	1	1	1	1				
78-1	1	124772-03100	PIPE, BREATHER	1	1	1	1				N
		(A=*1976.12) (B=*1976.12) (C=*1976.12) (D=*1976.12)									
79	1	124223-49750	BAND	1	1	1	1				
79-1	1	124766-59050	CLAMP 12	1	1	1	1				N
		(A=*1976.12) (B=*1976.12) (C=*1976.12) (D=*1976.12)									
80	1	124250-01650	CLAMP	1	1	1	1				Z
		(A=*1976.12) (B=*1976.12) (C=*1976.12) (D=*1976.12)									
81	1	124770-07230	LIFTER, ENGINE	1	1	1	1				
81-1	1	124070-07230	LIFTER, ENGINE	1	1	1	1				N
		(A=E/#85335) (B=E/#81577) (C=E/#81899) (D=E/#81809)									
82	1	124770-08110	BRACKET (B), ENGINE	1	1	1	1				
83	1	124770-08120	BRACKET (B), ENGINE	1	1	1	1				
84	1	26116-120302	BOLT M12X 30 PLATED	8	8	8	8				
85	1	22212-120000	SPRING WASHER 12	8	8	8	8				
85-1	1	22217-120000	SPRING WASHER	8	8	8	8				N
		(A=E/XXX) (B=E/XXX) (C=E/XXX) (D=E/XXX)									
86	1	124790-08120	BRACKET			2					
87	1	121390-08120	BRACKET							2	
88	1	124223-92800	SHIM SET ASSY, FOOT			1	1				
89	1	124770-08340	ABSORBER	4	4	4	4				3
90	1	121370-08340	MOUNTING, FEXIBLE	4	4	4	4				3
91	2	124770-08910	NUT M12	4	4	4	4				
92	2	22217-120000	SPRING WASHER	4	4	4	4				
93	2	22137-120000	WASHER 12,POLISHED	4	4	4	4				
94	1	23883-180000	PLUG M18	1	1						W
		(A=E/#85658) (B=E/#81661)									
95	1	23414-180023	GASKET 18	1	1						W
		(A=E/#85658) (B=E/#81661)									

Fig.2. GEAR HOUSING



Remarks  
 (1)OPTIONAL  
 (2)REFER TO FIG.20 FOR ILLUSTRATED.

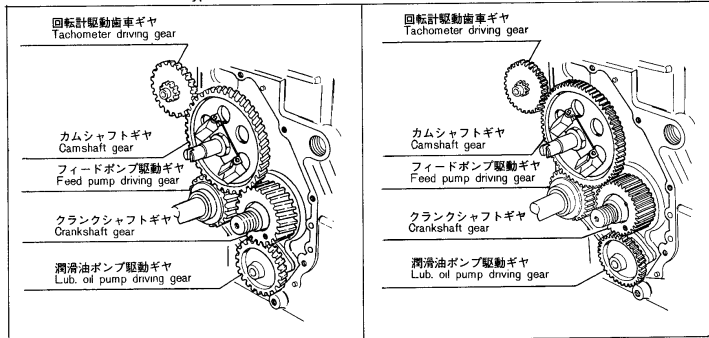
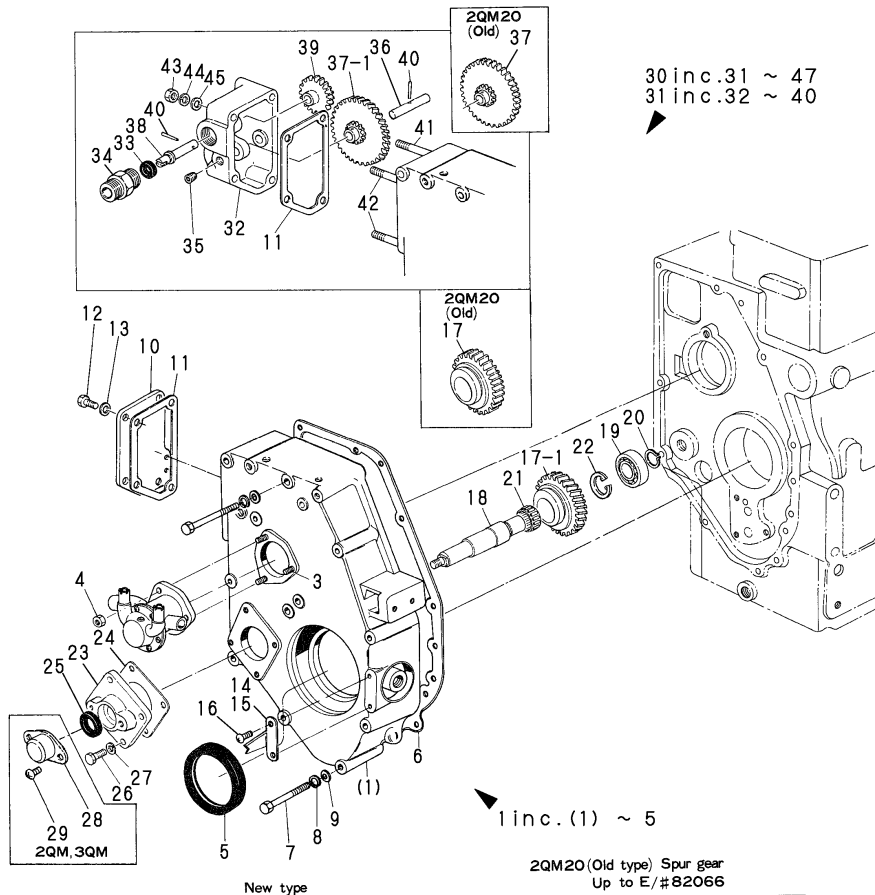
OCR10-G09109 2. GEAR HOUSING

(A)=2QM20  
 (B)=3QM30  
 (C)=2QM  
 (D)=3QM  
 (E)=  
 (F)=

REF.	LEV.	PARTS NO.	DESCRIPTION	QTY						I	R
				(A)	(B)	(C)	(D)	(E)	(F)		
1	1	724772-01500	HOUSING ASSY, GEARS	1	1	1	1				
3	2	26216-080182	STUD M 8X 18 PLATED	3	3	3	3				
4	2	26716-080002	NUT M 8	3	3	3	3				
5	2	124450-01800	OIL SEAL HTC588012	1	1	1	1				
6	1	124450-01511	GASKET, GEAR HOUSING	1	1	1	1				
6-1	1	124450-01512	GASKET, GEAR HOUSING	1	1	1	1				N
		(A=E/XXX) (B=E/XXX) (C=E/XXX) (D=E/XXX)									
7	1	26116-081052	BOLT M 8X105 PLATED	9	9	9	9				
8	1	22212-080000	SPRING WASHER 8	9	9	9	9				
8-1	1	22217-080000	SPRING WASHER 8	9	9	9	9				N
		(A=E/XXX) (B=E/XXX) (C=E/XXX) (D=E/XXX)									
9	1	22137-080000	WASHER 8, POLISHED	9	9	9	9				
10	1	124772-01850	COVER	1	1	1	1				
11	1	124770-01861	GASKET	1	1	1	1				
12	1	26116-080202	BOLT M 8X 20 PLATED	4	4	4	4				
13	1	23414-080000	GASKET 8, ROUND	3	3	3	3				
14	1	124772-07300	POINTER	1	1						
15	1	124790-07300	POINTER			1	1				
16	1	26557-060102	SCREW 6X10	2	2	2	2				
17	1	124770-52100	GEAR, PUMP DRIVING	1							
17-1	1	124772-52100	GEAR, PUMP DRIVING	1	1	1	1				S
		(A=E/#82067)									
18	1	124770-52110	SHAFT	1	1	1	1				
19	1	24101-062044	BALL BEARING #6204	1	1	1	1				
20	1	22242-000200	CIRCLIP 20	1	1	1	1				
21	1	124770-52120	CLUTCH, ROLLER	1	1	1	1				
21-1	1	124772-52120	CLUTCH, ROLLER	1	1	1	1				N
		(A=*1976.12) (B=*1976.12) (C=*1976.12) (D=*1976.12)									
22	1	22252-000470	CIRCLIP 47		1	1	1				
23	1	124770-52150	COVER, GEAR SHAFT	1	1	1	1				
24	1	124240-01881	GASKET, HYD.OIL PUMP	1	1	1	1				
24-1	1	124240-01882	GASKET, HYD.OIL PUMP	1	1	1	1				N
		(A=E/XXX) (B=E/XXX) (C=E/XXX) (D=E/XXX)									
25	1	124770-52180	SEAL, OIL	1	1	1	1				
26	1	26116-080252	BOLT M 8X 25 PLATED	4	4	4	4				
27	1	22212-080000	SPRING WASHER 8	4	4	4	4				
27-1	1	22217-080000	SPRING WASHER 8	4	4	4	4				N
		(A=E/XXX) (B=E/XXX) (C=E/XXX) (D=E/XXX)									
28	1	124790-01870	COVER			1	1				
29	1	26557-060082	SCREW M 6X 8			2	2				
30	1	724770-09550	TACHOMETER UNIT	1							1
30-1	1	724772-09550	TACHOMETER UNIT	1	1	1	1				S 1
		(A=E/#82067)									
30-2	1	724772-09550	TACHOMETER UNIT	1	1						Z 1
		(A=E/#85657) (B=E/#81660)									
31	2	724770-09500	TACHOMETER UNIT	1							
31-1	2	724772-09500	TACHOMETER UNIT	1	1	1	1				S
		(A=E/#82067)									
31-2	2	724772-09500	TACHOMETER UNIT	1	1						Z
		(A=E/#85657) (B=E/#81660)									
32	3	124770-09010	TACHOMETER UNIT	1	1	1	1				

N:Old  $\begin{matrix} \text{Yes} \\ \text{No} \end{matrix}$  New, Q:Old  $\begin{matrix} \text{No} \\ \text{Yes} \end{matrix}$  New, R:Old  $\begin{matrix} \text{Yes} \\ \text{No} \end{matrix}$  New, S:Old  $\begin{matrix} \text{No} \\ \text{Yes} \end{matrix}$  New, W:Add, Z:Discontinued, F:Interchangeable by set, K:Q'ty Change  
 ++ CONTINUE ++  
 (C)Copy Rights YANMAR CO.,LTD.

Fig.2. GEAR HOUSING



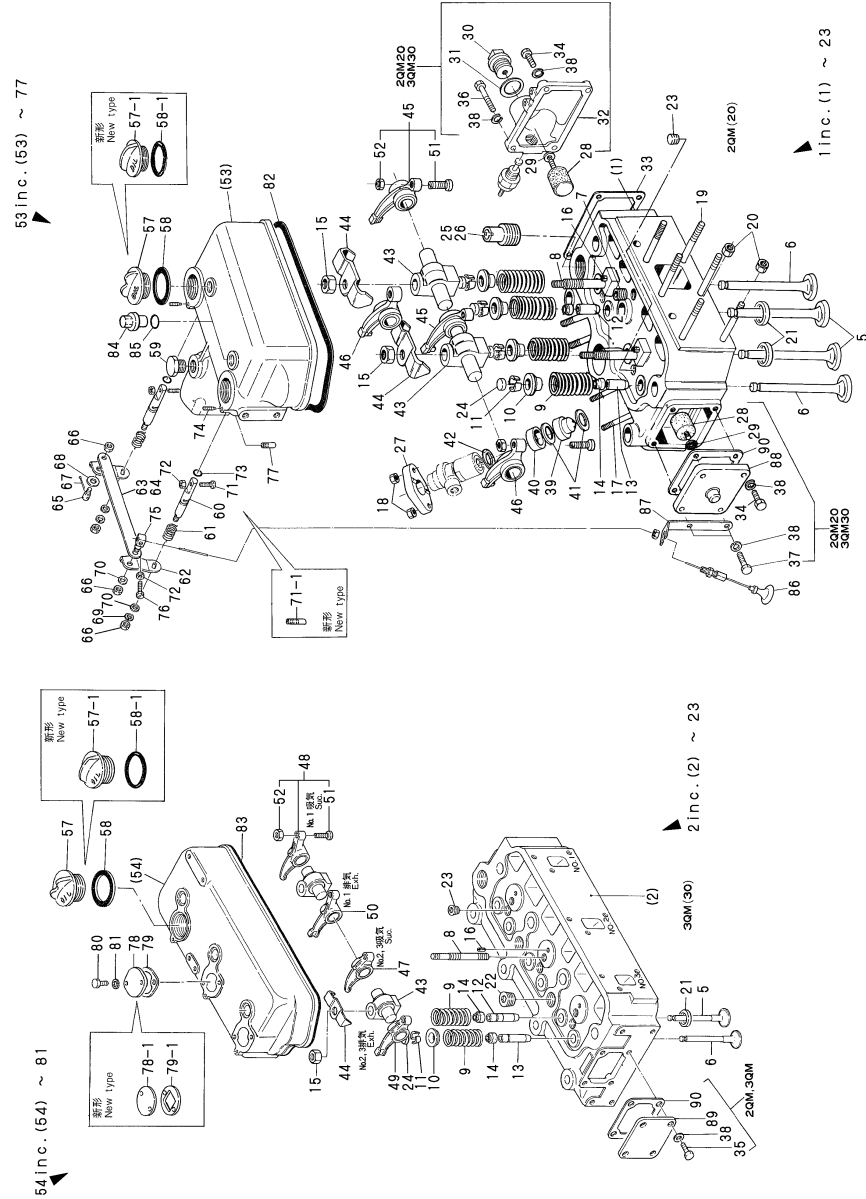
Remarks  
 (1)OPTIONAL  
 (2)REFER TO FIG.20 FOR ILLUSTRATED.

OCR10-G09109 2. GEAR HOUSING

(A)=2QM20  
 (B)=3QM30  
 (C)=2QM  
 (D)=3QM  
 (E)=  
 (F)=

REF.	LEV.	PARTS NO.	DESCRIPTION	Q'TY						I	R
				(A)	(B)	(C)	(D)	(E)	(F)		
33	3	122410-61670	SEAL, OIL	1	1	1	1				
34	3	124770-09250	CONNECTOR	1	1	1	1				
35	3	23871-020000	PLUG PT1/4,SCREW	1	1	1	1				
35-1	3	23872-020000	PLUG PT1/4,SCREW	1	1	1	1				N
36	3	124770-09100	SHAFT	1	1	1	1				
37	3	124770-09150	GEAR ASSY	1							
37-1	3	124772-09150	GEAR ASSY	1	1	1	1				S
(A=E/#82067)											
38	3	124770-09200	SHAFT, OUTPUT	1	1	1	1				
39	3	124770-09140	GEAR	1	1	1	1				
40	3	22351-030020	SPRING PIN 3X20	2	2	2	2				
41	2	26226-080652	STUD M 8X 65 PLATED	2	2	2	2				
42	2	26226-080502	STUD M 8X 50 PLATED	2	2	2	2				
43	2	26716-080002	NUT M 8	4	4	4	4				
44	2	22212-080000	SPRING WASHER 8	4	4	4	4				
44-1	2	22217-080000	SPRING WASHER 8	4	4	4	4				N
(A=E/XXX) (B=E/XXX) (C=E/XXX) (D=E/XXX)											
45	2	22137-080000	WASHER 8, POLISHED	4	4	4	4				
46	2	124770-91100	TACHOMETER, ELECTRIC	1	1	1	1				2
47	2	124770-91160	SENDER UNIT	1	1	1	1				2
47-1	2	124770-91161	SENDER UNIT	1	1	1	1				N 2
(A=E/XXX) (B=E/XXX) (C=E/XXX) (D=E/XXX)											

Fig.3. CYLINDER HEAD



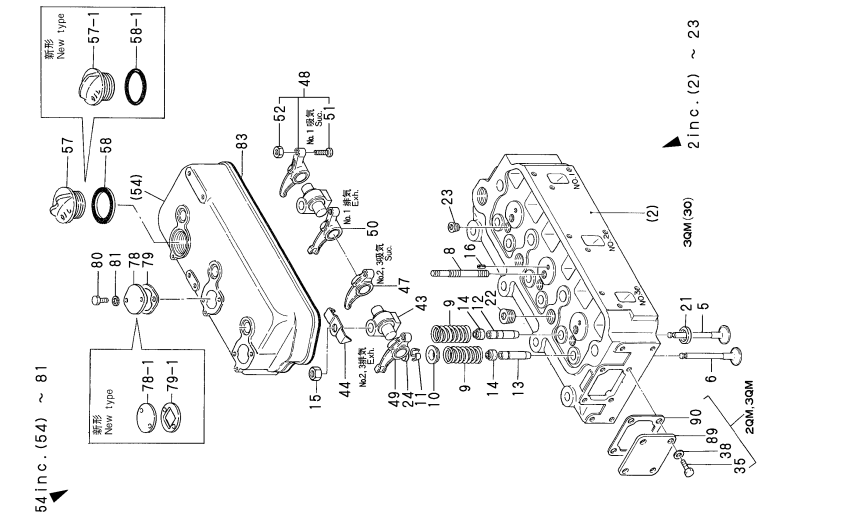
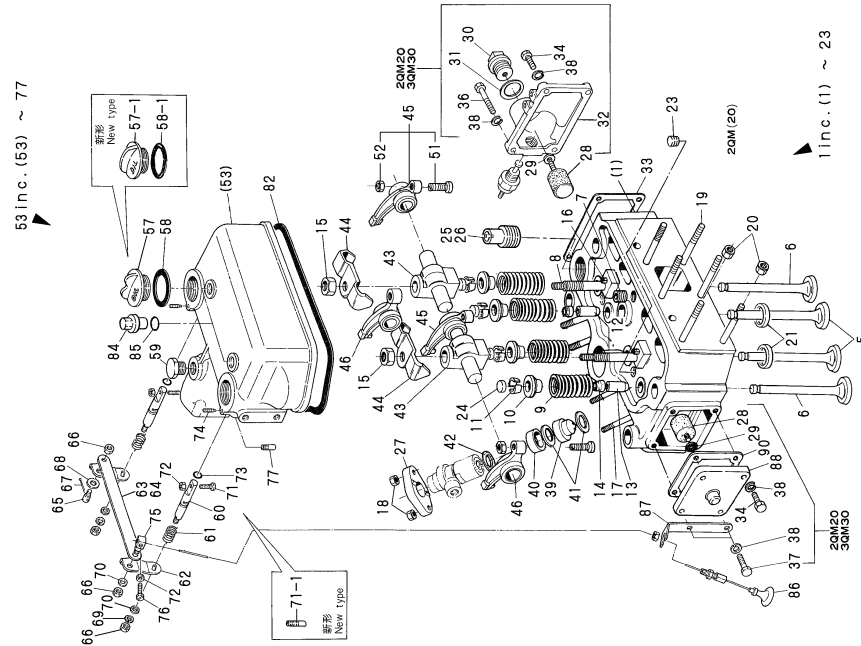
Remarks  
 (1)INC.55 & 56.  
 (2)OPTIONAL  
 (3)2QM & 3QM:OPTIONAL  
 2QM20 & 3QM30:STANDARD EQUIPPED

OCR10-G09109 3. CYLINDER HEAD

(A)=2QM20  
 (B)=3QM30  
 (C)=2QM  
 (D)=3QM  
 (E)=  
 (F)=

REF.	LEV.	PARTS NO.	DESCRIPTION	Q'TY						I	R
				(A)	(B)	(C)	(D)	(E)	(F)		
1	1	724772-11700	HEAD ASSY, CYLINDER	1		1					
2	1	721370-11700	HEAD ASSY, CYLINDER		1		1				
5	2	104600-11100	VALVE, SUCTION	2	3	2	3				
6	2	104600-11110	VALVE, EXHAUST	2	3	2	3				
7	2	124250-11880	PLUG	1		1					
8	2	104700-11350	STUD	2	3	2	3				
9	2	124772-11120	SPRING, VALVE	4	6	4	6				
10	2	103338-11180	RETAINER, SPRING	4	6	4	6				
11	2	103338-11190	COTTER 8	4	6	4	6				
12	2	124450-11160	GUIDE, SUC.VALVE	2	3	2	3				
12-1	2	124450-11161	GUIDE, SUC.VALVE	2	3	2	3				N
		(A=*1978.11) (B=*1978.11) (C=*1978.11) (D=*1978.11)									
13	2	124450-11170	GUIDE, EXH.VALVE	2	3	2	3				
13-1	2	124450-11171	GUIDE, EXH.VALVE	2	3	2	3				N
		(A=*1978.11) (B=*1978.11) (C=*1978.11) (D=*1978.11)									
14	2	124770-11340	SEAL, VALVE STEM	4	6	4	6				
15	2	124460-11270	NUT M12	2	3	2	3				
16	2	22351-060014	SPRING PIN 6X14	2	3	2	3				
17	2	26216-080602	STUD M 8X 60 PLATED	4		4					
17A	2	26216-080502	STUD M 8X 50 PLATED		6		6				
18	2	26716-080002	NUT M 8	4	6	4	6				
19	2	26213-081002	STUD M 8X100	6	6	6	6				
20	2	26713-080002	NUT, 8	6	6	6	6				
21	2	121370-11080	SEAT, SUCTION VALVE	2	3	2	2				
22	2	124060-11510	PLUG PT1/2		2		2				
23	2	121250-11520	PLUG PT1/4	2	3	2	3				
24	1	104511-11370	CAP, VALVE	1	1						
25	1	121370-11750	JOINT	1	1						
26	1	134790-49600	JOINT			1	1				
27	1	173400-11900	FLANGE	2	3	2	3				
28	1	27210-200300	ZINC, ANTI-CORROSIVE	2	2						
29	1	123210-09310	PACKING	2	2						
30	1	124220-09320	PLUG	1	1						
31	1	23414-250000	GASKET 25,ROUND	1	1						
32	1	124770-11650	COVER	1	1						
33	1	124450-44410	GASKET	1	1						
34	1	26116-080222	BOLT M 8X 22 PLATED	4	4						
35	1	26116-080142	BOLT 8X14			4	4				
36	1	26116-080402	BOLT M 8X 40 PLATED	2	2						
37	1	26116-080252	BOLT M 8X 25 PLATED	2	2						
38	1	22212-080000	SPRING WASHER 8	8	8	4	4				
38-1	1	22217-080000	SPRING WASHER 8	8	8	4	4				N
		(A=EXXX) (B=EXXX) (C=EXXX) (D=EXXX)									
39	1	124770-11420	CHAMBER, FRONT	2	3	2	3				
40	1	104900-11410	CHAMBER, REAR	2	3	2	3				
41	1	104900-11450	GASKET, CHAMBER	4	6	4	6				
42	1	103854-11490	INSULATOR	2	3	2	3				
43	1	124772-11250	SUPPORT, ROCKER ARM	2	3	2	3				
44	1	124450-11290	RETAINER	2	3	2	3				
45	1	724450-11650	ARM ASSY, ROCKER	2	2						1
46	1	724450-11660	ARM ASSY, ROCKER	2	2						1

Fig.3. CYLINDER HEAD



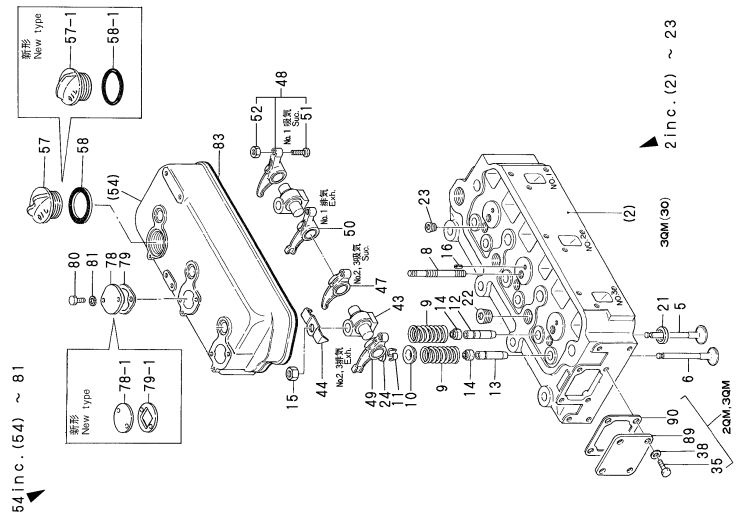
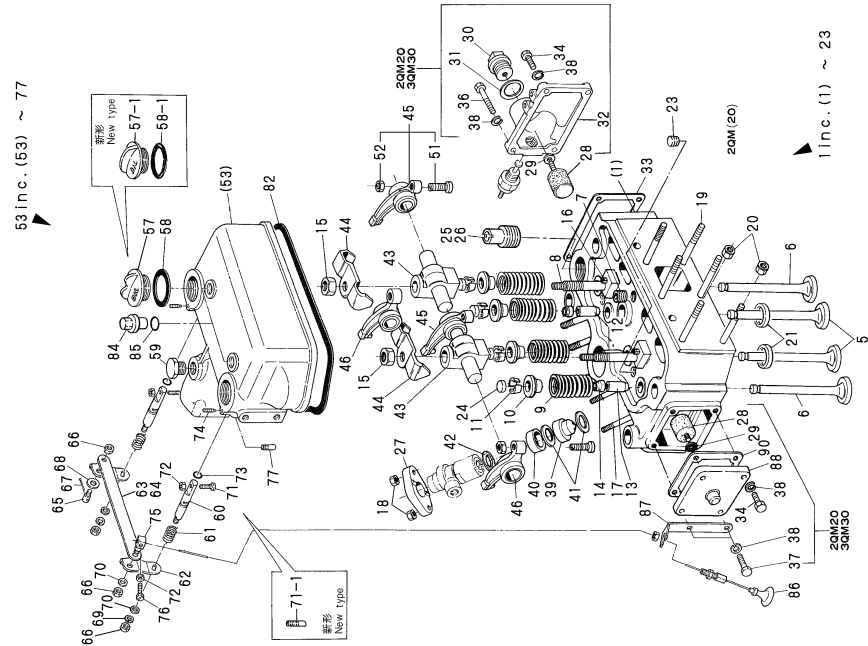
Remarks  
 (1)INC.55 & 56.  
 (2)OPTIONAL  
 (3)2QM & 3QM:OPTIONAL  
 2QM20 & 3QM30:STANDARD EQUIPPED

(A)=2QM20  
 (B)=3QM30  
 (C)=2QM  
 (D)=3QM  
 (E)=  
 (F)=

REF.	LEV.	PARTS NO.	DESCRIPTION	QTY						I	R
				(A)	(B)	(C)	(D)	(E)	(F)		
47	1	721250-11650	ARM ASSY, ROCKER		2		2				1
48	1	721250-11680	ARM ASSY, ROCKER		1		1				1
49	1	721250-11660	ARM ASSY, ROCKER		2		2				1
50	1	721250-11670	ARM ASSY, ROCKER			1		1			1
51	2	101158-11230	SCREW, VALVE	4	6	4	6				
52	2	26756-080002	LOCK NUT M 8 PLATED	4	6	4	6				
53	1	724772-11520	BONNET ASSY, HEAD	1		1					
53-1	1	724772-11521	BONNET ASSY, HEAD (A=E/#84766) (C=E/#81551)	1		1					N
54	1	721370-11520	BONNET ASSY, HEAD		1		1				
54-1	1	721370-11521	BONNET ASSY, HEAD (B=E/#81446) (D=E/#81621)		1		1				N
57	2	101104-01750	CAP	2	1	2	1				
57-1	2	124160-01750	CAP (A=E/#84766) (B=E/#81446) (C=E/#81551) (D=E/#81621)	2	1	2	1				S
57-2	2	124160-01751	COVER,FILLER (A=E/EXXX) (B=E/EXXX) (C=E/EXXX) (D=E/EXXX)	2	1	2	1				N
58	2	101104-01760	GASKET, CAP	2	1	2	1				
58-1	2	24321-000350	O-RING 1A G-35.0 (A=E/#84766) (B=E/#81446) (C=E/#81551) (D=E/#81621)	2	1	2	1				S
59	2	124450-11320	PLUG U7/8	1		1					
60	2	124770-03600	SHAFT, DECOMPRESSION	2	3	2	3				
61	2	104200-03641	SPRING,DECOMPRESSION	2	3	2	3				
62	2	124770-03610	LEVER, DECOMPRESSION	2	3	2	3				
63	2	124770-03680	CONNECTOR	1		1					
64	2	121370-03680	CONNECTOR		1		1				
65	2	124770-03690	PIN	1	2	1	2				
66	2	26757-060002	NUT 6	4	6	4	6				
67	2	22360-080000	SNAP PIN 8	1	2	1	2				
68	2	22137-080000	WASHER 8, POLISHED	1	2	1	2				
69	2	22212-060000	SPRING WASHER 6	2		2					
69-1	2	22217-060000	SPRING WASHER 6 (A=E/EXXX) (B=E/EXXX) (C=E/EXXX) (D=E/EXXX)	2		2					N
70	2	22137-060000	WASHER 6, POLISHED	3	3	3	3				
71	2	124250-03630	SCREW, DECOMP	2	3	2	3				
71-1	2	120220-03660	SCREW (A=E/#84915) (B=E/#81384) (C=E/#81653) (D=E/#81520)	2	3	2	3				N
72	2	26756-050002	LOCK NUT M 5 PLATED	3	4	3	4				
73	2	24311-000070	O-RING 1A P-7.0	2	3	2	3				
74	2	124250-03640	SCREW, STOP	2	3	2	3				
75	2	124770-03710	FITTINGS	1	1	1	1				
76	2	26113-050128	BOLT M 5X 12	1	1	1	1				
77	2	124770-11770	JOINT PT1/8	1		1					
78	2	121370-11320	COVER		2		2				
78-1	2	124460-03650	COVER (B=E/#81446) (D=E/#81621)		2		2				S
79	2	121370-11331	GASKET		2		2				
79-1	2	124460-03662	GASKET (B=E/#81446) (D=E/#81621)		2		2				S
79-2	2	124460-03663	GASKET (B=E/EXXX) (D=E/EXXX)		2		2				N

N:Old  $\begin{matrix} \leftarrow \text{Yes} \\ \text{No} \end{matrix}$  New, Q:Old  $\begin{matrix} \leftarrow \text{No} \\ \text{Yes} \end{matrix}$  New, R:Old  $\begin{matrix} \leftarrow \text{Yes} \\ \text{Yes} \end{matrix}$  New, S:Old  $\begin{matrix} \leftarrow \text{No} \\ \text{No} \end{matrix}$  New, W:Add, Z:Discontinued, F:Interchangeable by set, K:Q'ty Change  
 ++ CONTINUE ++  
 (C)Copy Rights YANMAR CO.,LTD.

Fig.3. CYLINDER HEAD

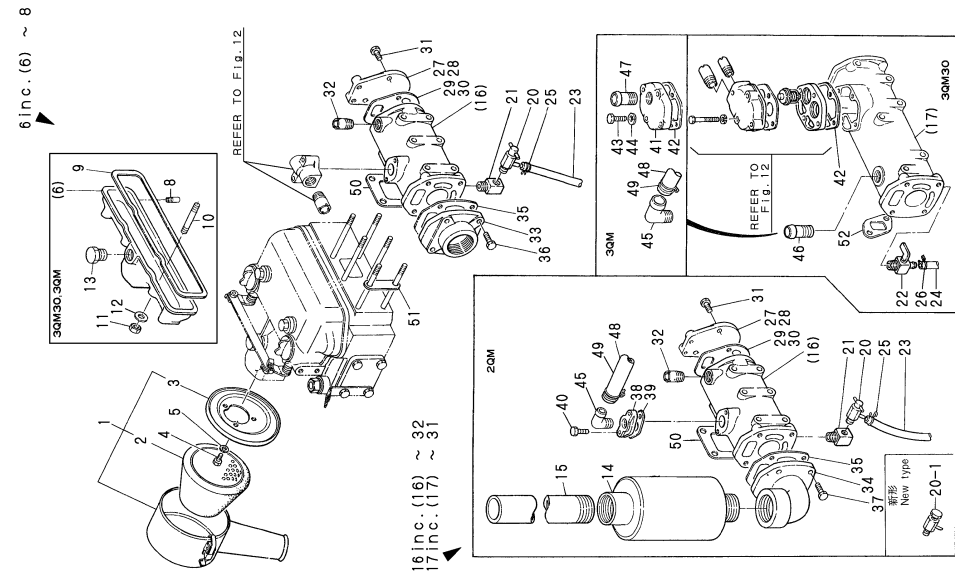
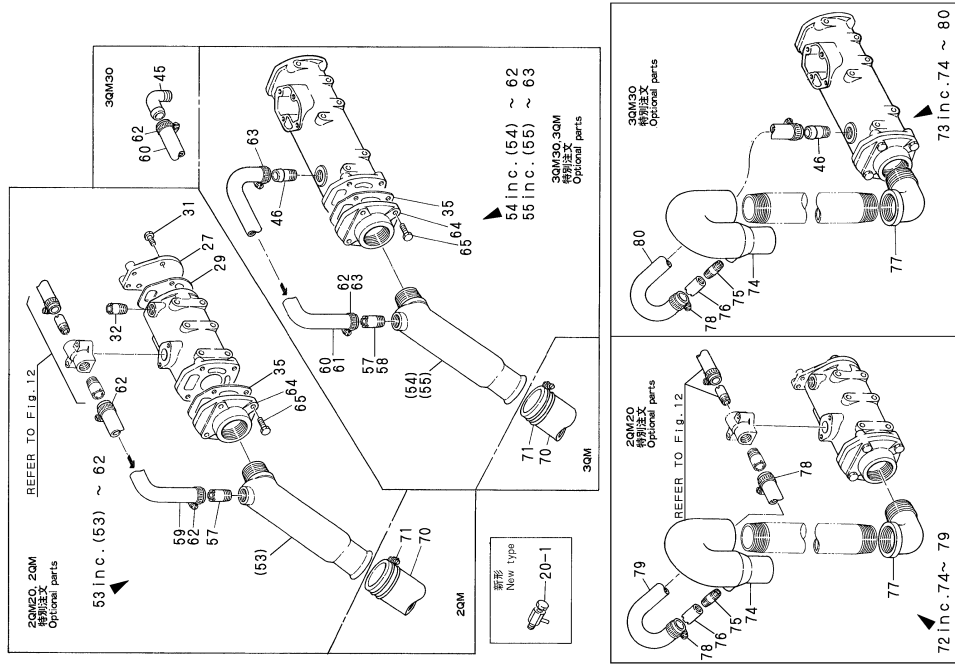


Remarks  
 (1)INC.55 & 56.  
 (2)OPTIONAL  
 (3)2QM & 3QM:OPTIONAL  
 2QM20 & 3QM30:STANDARD EQUIPPED

(A)=2QM20 (D)=3QM  
 (B)=3QM30 (E)=  
 (C)=2QM (F)=

REF.	LEV.	PARTS NO.	DESCRIPTION	Q'TY						I	R
				(A)	(B)	(C)	(D)	(E)	(F)		
80	2	26116-060142	BOLT M 6X 14		4		4				
81	2	22212-060000	SPRING WASHER 6		4		4				
81-1	2	22217-060000	SPRING WASHER 6		4		4			N	
				(B=EXXX)		(D=EXXX)					
82	1	124450-11310	GASKET, BONNET	1			1				
83	1	121370-11310	GASKET, BONNET		1		1				
84	1	124460-11360	CAP	2	3		2	3			
85	1	24311-000140	O-RING 1A P-14.0	2	3		2	3			
86	1	104214-03700	CABLE,REMO-CON.	1	1	1	1			2	
87	1	124770-03720	BRACKET	1	1	1	1			3	
88	1	124770-11670	COVER	1	1						
89	1	124450-11671	COVER, SIDE				1	1			
90	1	124450-11681	GASKET	1	1	1	1				

Fig.4. SILENCER & EXHAUST MANIFOLD

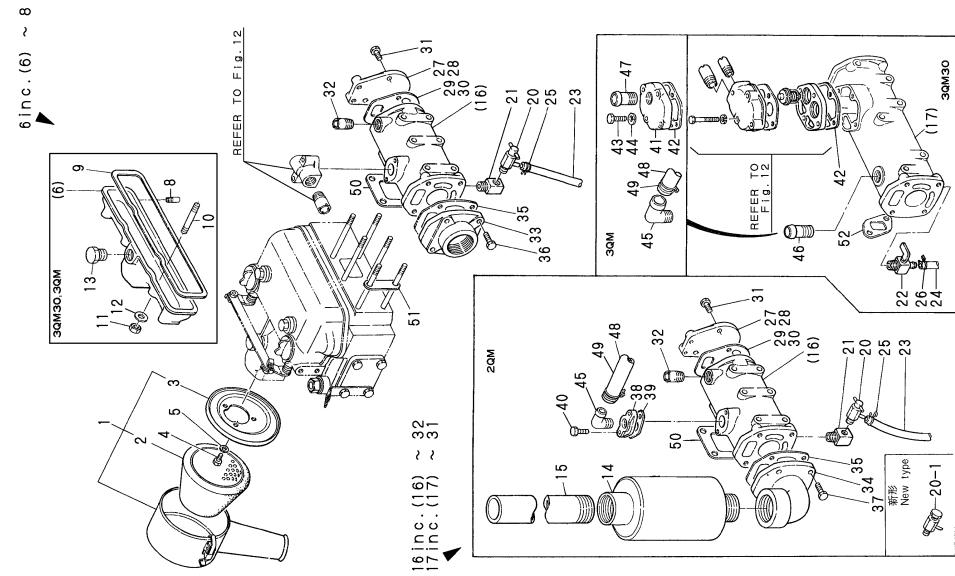
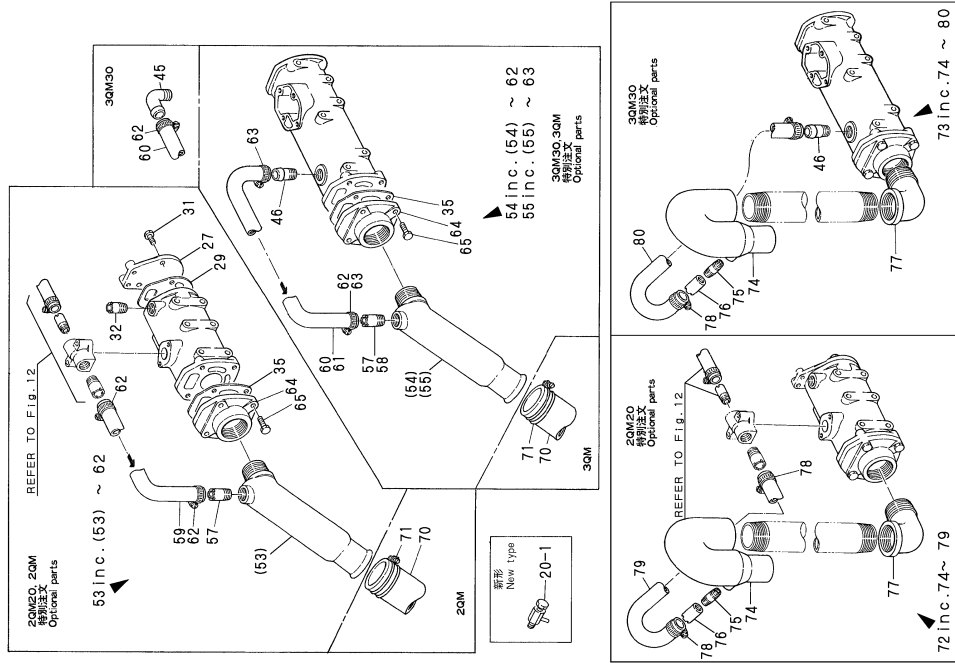


Remarks  
(1) NOT ILLUSTRATED.

(A)=2QM20 (D)=3QM  
(B)=3QM30 (E)=  
(C)=2QM (F)=

REF.	LEV.	PARTS NO.	DESCRIPTION	QTY						I	R
				(A)	(B)	(C)	(D)	(E)	(F)		
1	1	124770-12500	SILENCER, AIR INTAKE	1	1	1	1				
2	1	124770-12540	ELEMENT, CLEANER	1	1	1	1				
3	1	124770-12530	PLATE	1	1	1	1				
4	1	26117-060149	BOLT M 6X 14 PLATED	3	3	3	3				
5	1	22212-060000	SPRING WASHER 6	3	3	3	3				
5-1	1	22217-060000	SPRING WASHER 6	3	3	3	3				N
		(A=E-XXXX) (B=E-XXXX) (C=E-XXXX) (D=E-XXXX)									
6	1	121370-12730	MANIFOLD, AIR INTAKE		1		1				
8	2	124770-11770	JOINT PT1/8		1		1				
9	1	121250-12710	GASKET, INT.MANIFOLD		1		1				
10	1	121250-11550	BOLT, INT.MANIFOLD		2		2				
11	1	26716-080002	NUT M 8		2		2				
12	1	22137-080000	WASHER 8, POLISHED		2		2				
13	1	124450-11320	PLUG U7/8		1		1				
14	1	120220-13510	SILENCER, EXHAUST			1	1				
15	1	120220-13010	PIPE, EXHAUST			1	1				
16	1	724772-13500	MANIFOLD ASSY, EXH.	1		1					
17	1	721370-13500	MANIFOLD ASSY, EXH.		1		1				
20	2	43600-001200	SEE 43600-500290	1		1					
20-1	2	43600-500290	COCK 1/4	1		1					N
		(A=E-XXXX) (C=E-XXXX)									
21	2	124772-13410	JOINT	1		1					
22	2	104200-11920	COCK		1		1				
23	2	23061-070500	PIPE 7X 500	1		1					
24	2	23061-100500	PIPE 10X 500		1		1				
25	2	124450-44560	CLAMP	1		1					
25-1	2	124460-77680	RETAINER	1		1					N
		(A=*1976.12) (C=*1976.12)									
26	2	124223-49750	BAND		1		1				
27	2	124772-13160	COVER	1		1					
28	2	121370-13160	COVER		1		1				
29	2	124770-13180	GASKET	1		1					
30	2	124770-13170	GASKET	1		1					
31	2	26113-080222	BOLT M 8X 22	4	4	4	4				
32	2	124223-49300	JOINT, PIPE	1		1					
33	1	124770-13150	CONNECTOR, EXHAUST	1		1					
34	1	124223-13070	ELBOW, EXHAUST			1	1				
35	1	124770-13170	GASKET	1		1	1				
36	1	26113-080282	BOLT M 8X 28	4	4						
37	1	26113-080222	BOLT M 8X 22			4	4				
38	1	124790-49250	FLANGE		1						
39	1	104211-49160	PACKING		1						
40	1	26116-060182	BOLT M 6X 18		2						
41	1	121390-13250	COVER				1				
42	1	121370-49160	PACKING				1				
43	1	26116-060252	BOLT 6X25				4				
44	1	22212-060000	SPRING WASHER 6				4				
44-1	1	22217-060000	SPRING WASHER 6				4				N
		(D=E-XXXX)									
45	1	124790-49290	ELBOW (PT1/2)			1	1				
46	1	124770-13690	JOINT 1/2, PIPE		1						

Fig.4. SILENCER & EXHAUST MANIFOLD



Remarks  
(1) NOT ILLUSTRATED.

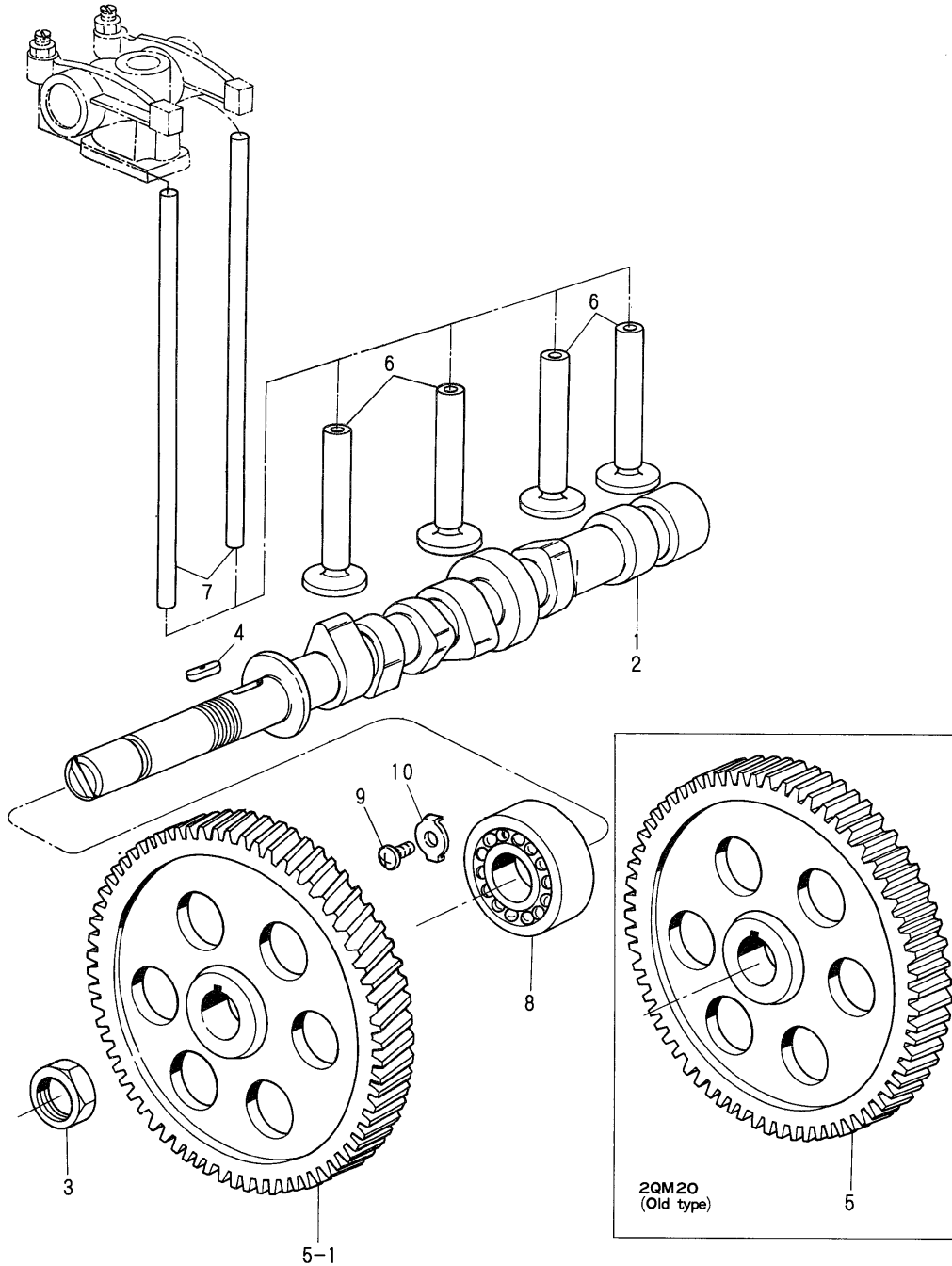
(A)=2QM20  
(B)=3QM30  
(C)=2QM

(D)=3QM  
(E)=  
(F)=

REF.	LEV.	PARTS NO.	DESCRIPTION	QTY						I	R
				(A)	(B)	(C)	(D)	(E)	(F)		
47	1	123325-49220	JOINT, PIPE						1		
48	1	23093-191000	PIPE 19X1000						1	1	
49	1	23000-035000	CLAMP 35						2	2	
50	1	124450-11900	GASKET	1		1					
51	1	124770-13130	GASKET	1		1					
52	1	121250-13520	GASKET, EXH.MANIFOLD		3				3		
53	1	724770-13200	MIXINGELBOW ASSY	1		1					
54	1	721370-13200	MIXINGELBOW ASSY		1						
55	1	721390-13200	MIXINGELBOW ASSY						1		
57	2	124770-13690	JOINT 1/2, PIPE	1	1	1					
58	2	123325-49220	JOINT, PIPE							1	
59	2	124770-49040	PIPE, COOLING WATER	1		1					
60	2	121370-49040	PIPE, COOLING WATER		1						
61	2	121390-49040	PIPE, COOLING WATER							1	
62	2	23000-025000	CLAMP 25	2	2	2					
63	2	23000-035000	CLAMP 35							2	
64	1	124770-13150	CONNECTOR, EXHAUST						1	1	
65	1	26113-080282	BOLT M 8X 28						4	4	
66	1	124790-49260	FLANGE						1		1
67	1	26116-060352	BOLT M 6X 35 PLATED						2		1
68	1	124223-49300	JOINT, PIPE						1		1
69	1	123325-49220	JOINT, PIPE							1	1
70	1	23072-204000	HOSE (51/62X4000)						1	1	
71	1	23000-070000	CLAMP 70						2	2	
72	1	724770-13300	ELBOW ASSY (U-TYPE)	1							
73	1	721370-13300	ELBOW ASSY (U-TYPE)		1						
74	2	124770-13550	ELBOW, MIXING	1	1						
75	3	124770-49100	JOINT, PIPE	1	1						
76	3	124770-49110	CONNECTOR	1	1						
77	2	23112-140000	STREET ELBOW PT1+1/2	1	1						
78	2	23000-025000	CLAMP 25	2	2						
79	2	124770-49050	PIPE, COOLING WATER	1							
80	2	121370-49050	PIPE, COOLING WATER						1		



Fig.5. CAMSHAFT

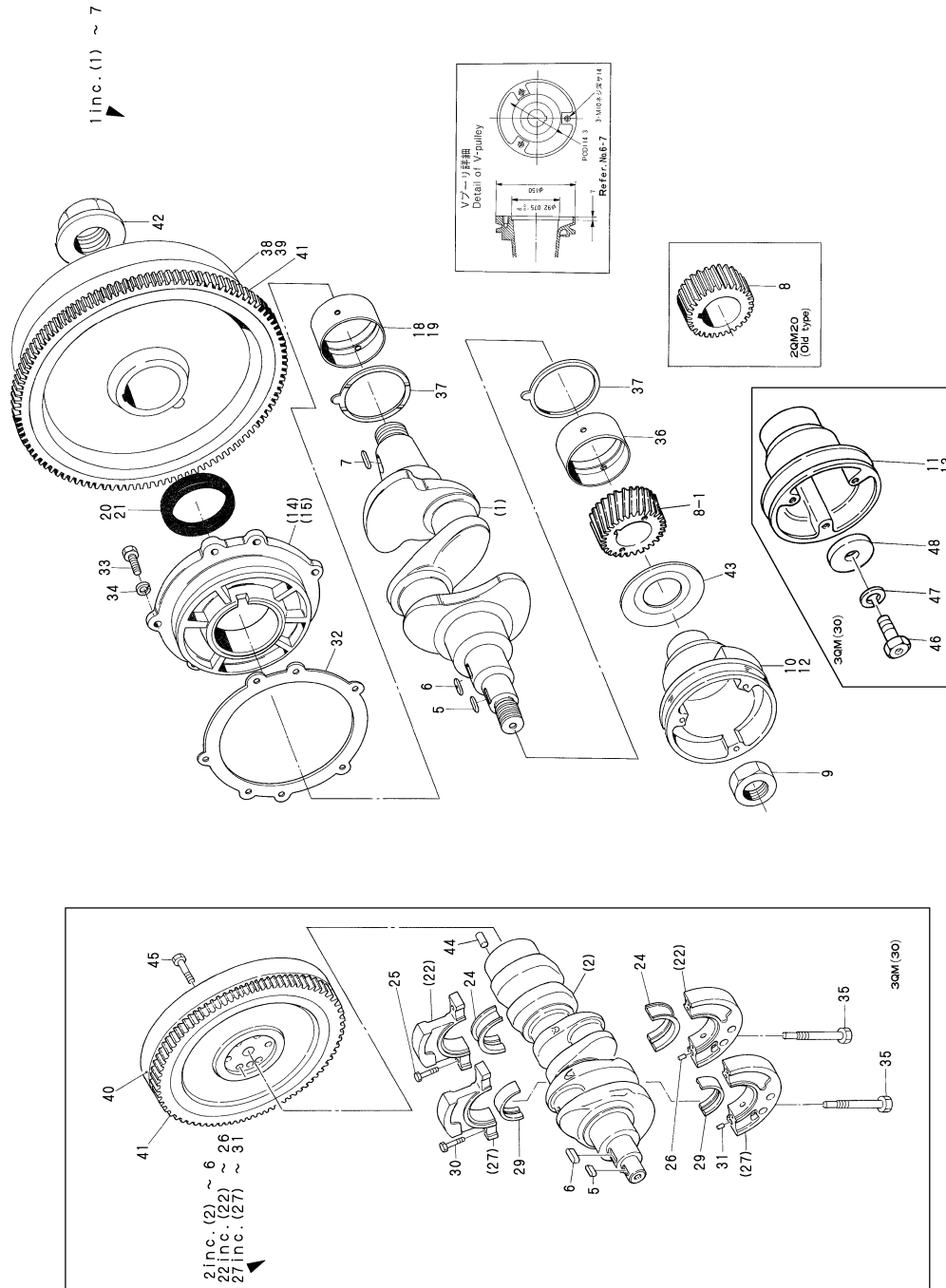


OCR10-G09109 5. CAMSHAFT

(A)=2QM20  
(B)=3QM30  
(C)=2QM  
(D)=3QM  
(E)=  
(F)=

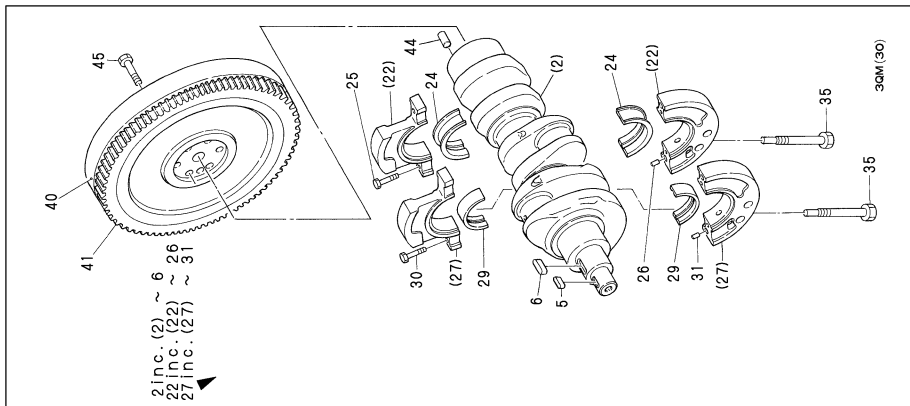
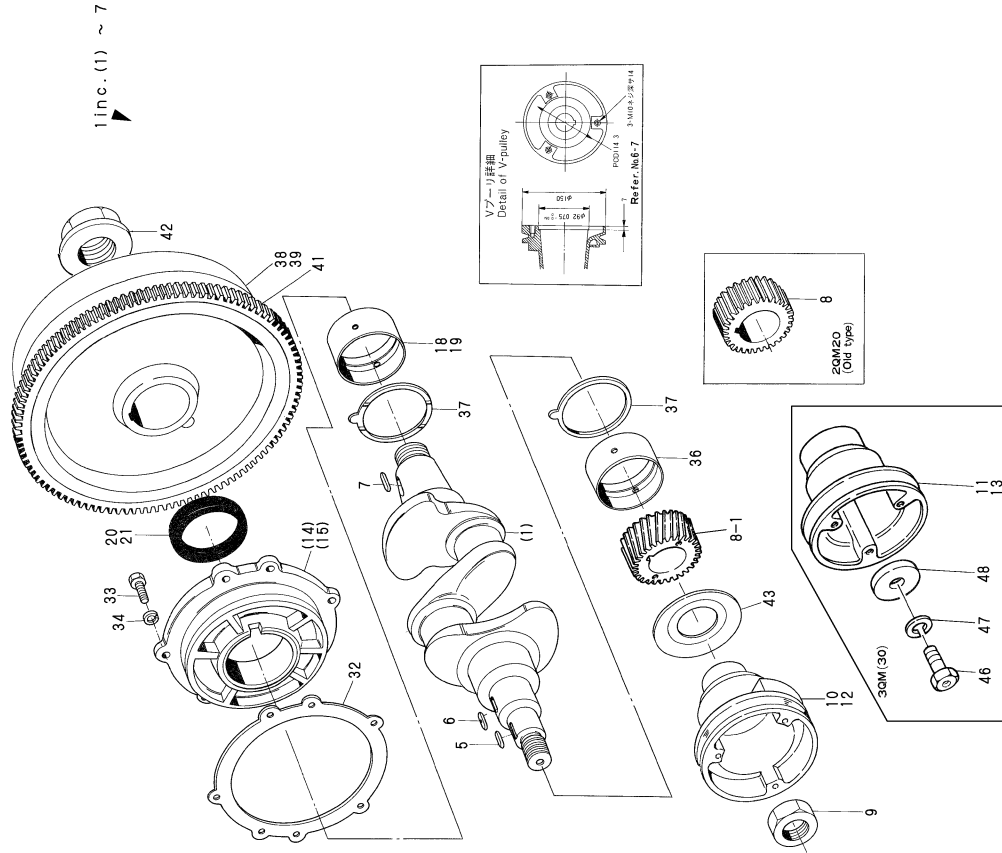
REF.	LEV.	PARTS NO.	DESCRIPTION	Q'TY						I	R
				(A)	(B)	(C)	(D)	(E)	(F)		
1	1	124465-14010	CAMSHAFT	1	1						
1-1	1	724465-14580	CAMSHAFT ASSY	1	1						N
(A=FROM 1ST) (C=FROM 1ST)											
2	1	121250-14010	CAMSHAFT		1		1				
2-1	1	721250-14580	CAMSHAFT ASSY		1		1				N
(B=FROM 1ST) (D=FROM 1ST)											
3	2	124450-14120	NUT	1	1	1	1				
4	2	22512-070180	KEY 7X 18	1	1	1	1				
5	1	124450-14100	GEAR, CAMSHAFT	1							
5-1	1	121250-14100	GEAR, CAMSHAFT	1	1	1	1				S
6	1	103338-14200	TAPPET	4	6	4	6				
7	1	124450-14400	ROD, PUSH	4	6	4	6				
8	1	24101-062064	BALL BEARING	1	1	1	1				
9	1	26587-080122	SCREW M 8X 12	1	1	1	1				
10	1	121250-02450	RETAINER	1	1	1	1				

Fig.6. MAIN METAL & CRANKSHAFT



REF.	LEV.	PARTS NO.	DESCRIPTION	QTY						I	R
				(A)	(B)	(C)	(D)	(E)	(F)		
1	1	724550-21701	CRANKSHAFT ASSY	1	1						
1-1	1	724450-21702	CRANKSHAFT ASSY	1	1						N
(A=E/#84365) (C=E/#81201)											
2	1	721250-21700	CRANKSHAFT ASSY		1	1					
5	2	22512-070240	KEY 7X 24	1	1	1	1				
6	2	22512-070280	KEY 7X 28	1	1	1	1				
7	2	22512-100360	KEY 10X 36	1	1						
8	1	124450-21200	GEAR, CRANKSHAFT	1							
8-1	1	121250-21200	GEAR, CRANKSHAFT	1	1	1	1				S
(A=E/#82067)											
9	1	124160-21670	NUT M30	1		1					
10	1	124772-21650	V-PULLEY	1							
10-1	1	124772-21651	V-PULLEY	1							N
(A=E/XXX)											
11	1	121370-21651	V-PULLEY		1						
12	1	124790-21650	V-PULLEY			1					
12-1	1	124790-21651	V-PULLEY			1					N
(C=E/XXX)											
13	1	121390-21650	V-PULLEY							1	
14	1	724465-02500	HOUSING ASSY, BEARING	1		1					
15	1	721250-02500	HOUSING ASSY		1	1					
18	2	121250-02100	MAIN METAL	1		1					
19	2	121250-02110	MAIN METAL		1	1	1				
20	2	124450-02220	SEAL, OIL	1		1					
21	2	121250-02220	SEAL, OIL		1		1				
22	1	721250-02610	HOUSING ASSY, METAL		1		1				
24	2	121250-01220	MAIN METAL		1		1				
25	2	26116-100501	BOLT M10X 50 PLATED		2		2				
26	2	22312-060140	PARALLEL PIN 6X14		2		2				
27	1	721250-02620	HOUSING ASSY, METAL	1			1				
29	2	121250-02130	MAIN METAL		1		1				
30	2	26116-100501	BOLT M10X 50 PLATED		2		2				
31	2	22312-060140	PARALLEL PIN 6X14		2		2				
32	1	124460-02150	GASKET	1	1	1	1				
33	1	26116-100252	BOLT M10X 25 PLATED	5	5	5	5				
34	1	22217-100000	SPRING WASHER 10	5	5	5	5				
34-1	1	22217-100000	SPRING WASHER 10	5	5	5	5				N
(A=E/XXX) (B=E/XXX) (C=E/XXX) (D=E/XXX)											
35	1	121250-02300	BOLT		2		2				
36	1	121250-02100	MAIN METAL	1	1	1	1				
37	1	124450-02110	BEARING THRUST	2		2					
38	1	124770-21590	FLYWHEEL W/RING GEAR	1							
38-1	1	124770-21591	FLYWHEEL W/RING GEAR	1							N
(A=E/XXX)											
39	1	124790-21590	FLYWHEEL W/RING GEAR			1					
39-1	1	124790-21591	FLYWHEEL W/RING GEAR			1					N
(C=E/XXX)											
40	1	121370-21591	FLYWHEEL W/RING GEAR		1		1				
41	1	124550-21600	RING GEAR	1	1	1	1				
42	1	124450-21530	END NUT	1		1					
43	1	124160-21700	DISC, OIL SHIELD	1	1	1	1				

Fig.6. MAIN METAL & CRANKSHAFT

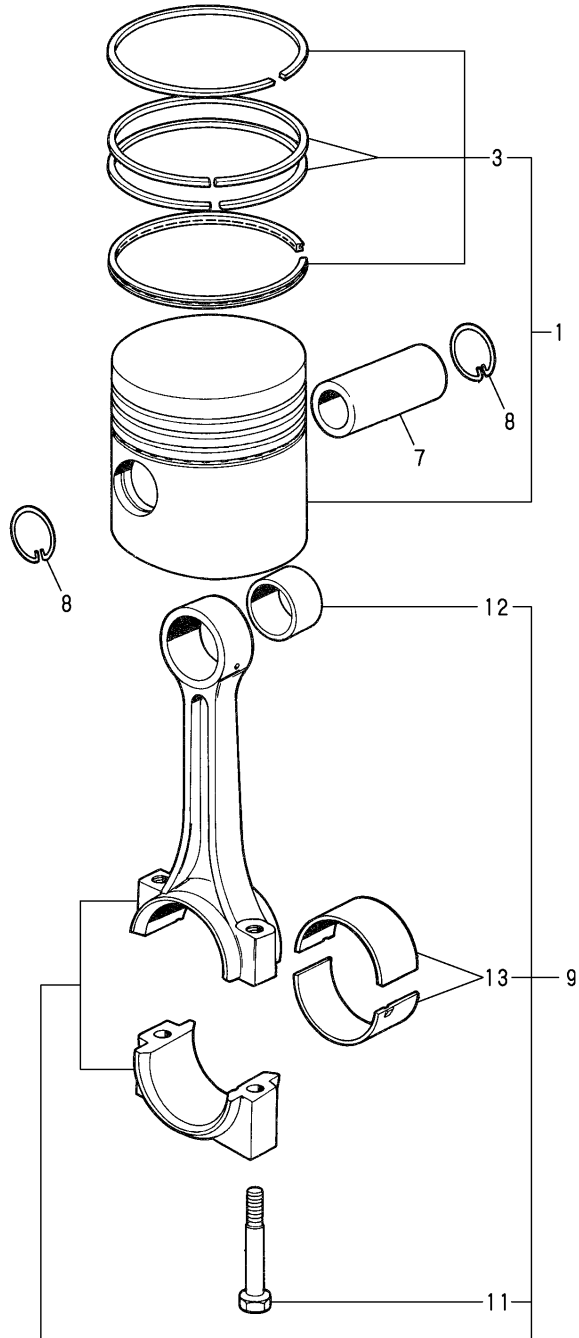


OCR10-G09109 6. MAIN METAL & CRANKSHAFT

(A)=2QM20  
(B)=3QM30  
(C)=2QM  
(D)=3QM  
(E)=  
(F)=

REF.	LEV.	PARTS NO.	DESCRIPTION	Q'TY						I	R	
				(A)	(B)	(C)	(D)	(E)	(F)			
44	1	124227-21920	PARALLEL PIN		1		1					
45	1	124250-21501	BOLT, REAMER		6		6					
46	1	121370-21680	BOLT		1		1					
47	1	22212-120000	SPRING WASHER 12		1		1					
47-1	1	22217-120000	SPRING WASHER		1		1					N
			(B=EXXX) (D=EXXX)									
48	1	124060-21660	WASHER		1		1					

Fig.7. PISTON & CONNECTING ROD



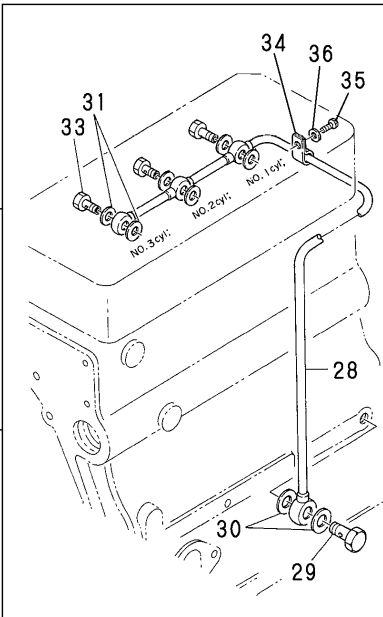
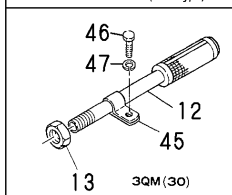
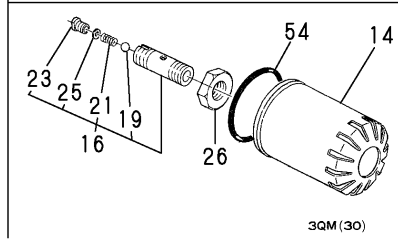
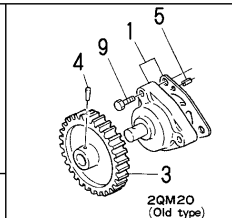
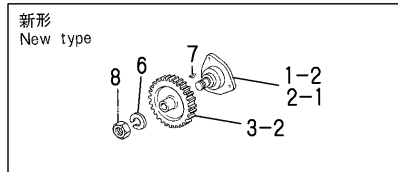
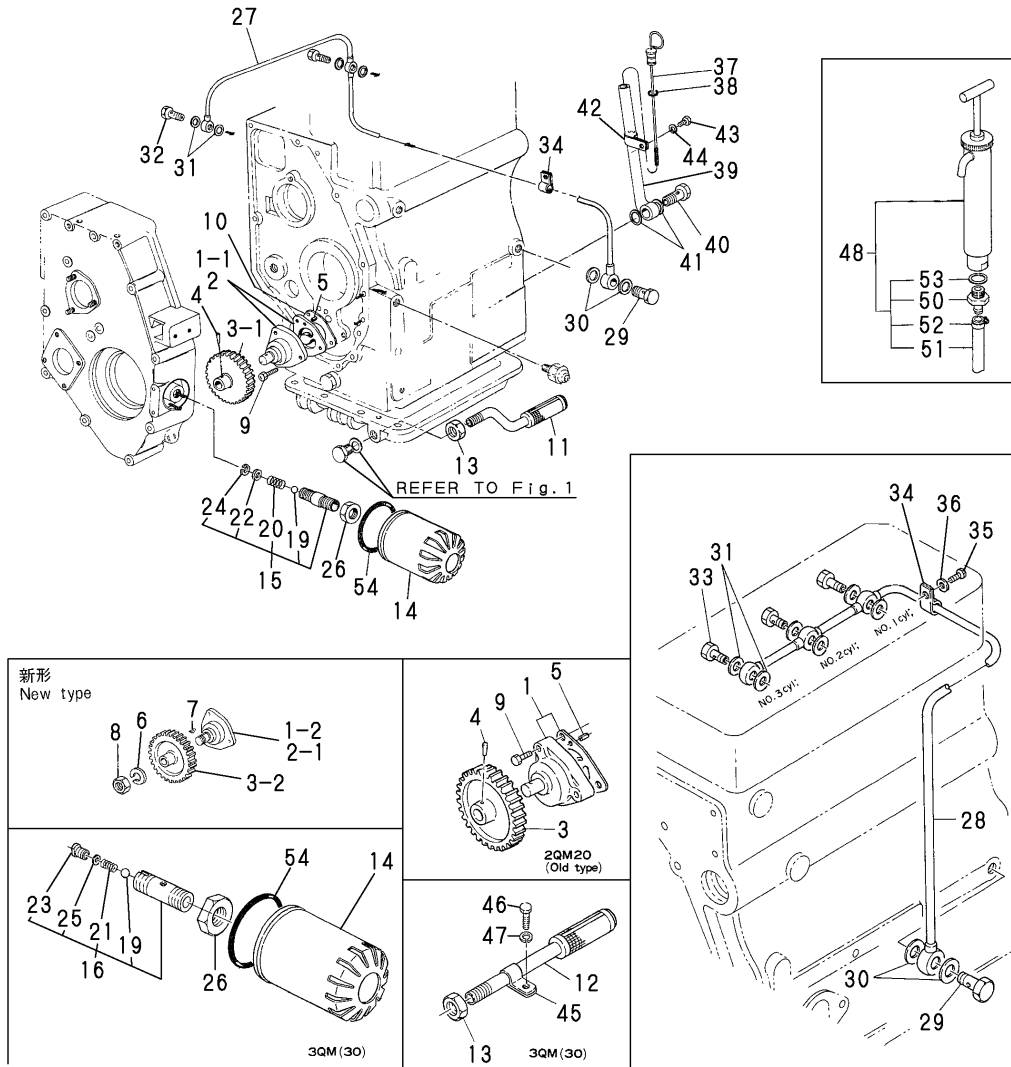
OCR10-G09109 7. PISTON & CONNECTING ROD

(A)=2QM20  
(B)=3QM30  
(C)=2QM

(D)=3QM  
(E)=  
(F)=

REF.	LEV.	PARTS NO.	DESCRIPTION	Q'TY						I	R
				(A)	(B)	(C)	(D)	(E)	(F)		
1	1	124750-22090	PISTON W/RINGS	2	3	2	3				
1-1	1	724790-22720	PISTON W/RINGS	2	3	2	3				N
		(A=*1978.03)	(B=*1978.03)	(C=*1978.03)	(D=*1978.03)						
3	2	724750-22500	RING SET	2	3	2	3				
3-1	2	724790-22500	RING SET	2	3	2	3				N
		(A=*1978.03)	(B=*1978.03)	(C=*1978.03)	(D=*1978.03)						
7	1	104600-22300	PIN, PISTON	2	3	2	3				
8	1	104600-22400	CIRCLIP	4	6	4	6				
9	1	724450-23100	ROD ASSY, CONNECTING	2	3	2	3				
11	2	124450-23200	BOLT, ROD	4	6	4	6				
12	2	124450-23100	BUSH, PISTON PIN	2	3	2	3				
13	2	124450-23300	METAL, CRANK PIN	2	3	2	3				

Fig.8. LUB.OIL SYSTEM

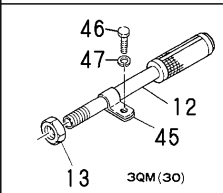
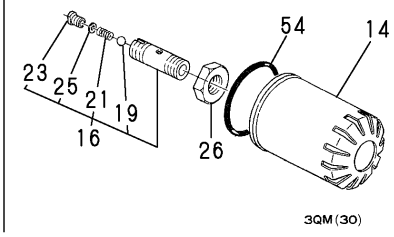
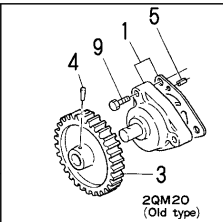
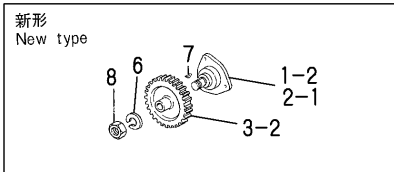
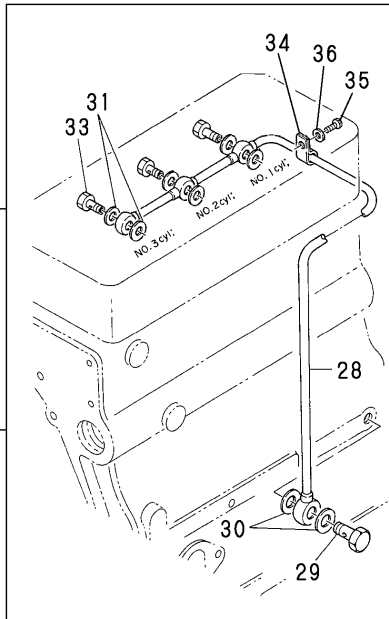
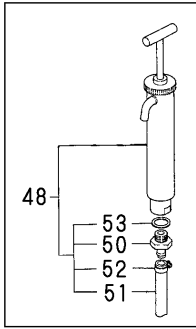
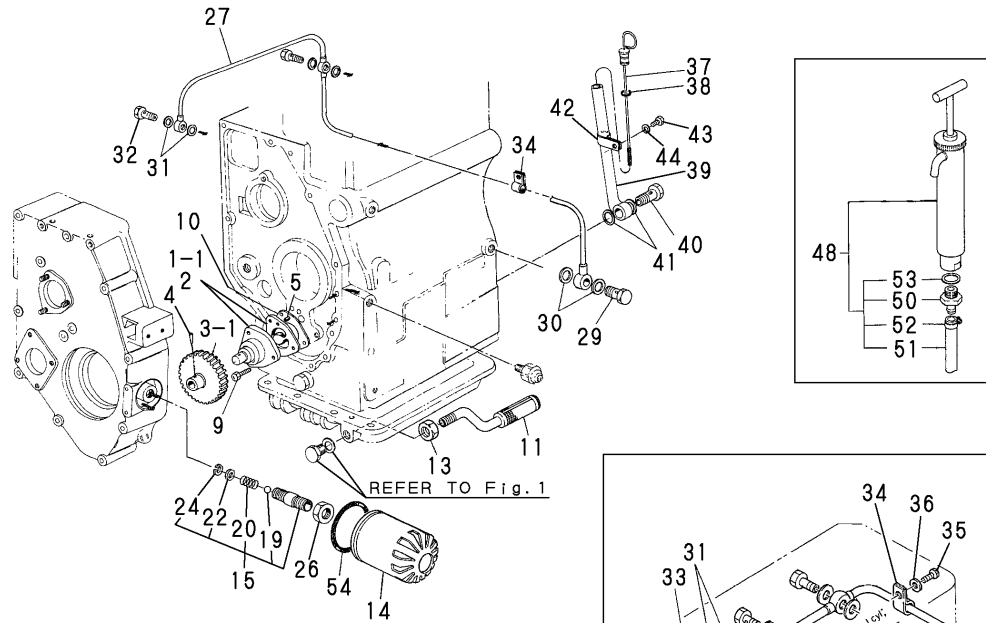


(A)=2QM20  
(B)=3QM30  
(C)=2QM  
(D)=3QM  
(E)=  
(F)=

REF.	LEV.	PARTS NO.	DESCRIPTION	(A)	(B)	(C)	(D)	(E)	(F)	QTY	I	R
1	1	724450-32700	PUMP ASSY, LUB. OIL	1								
1-1	1	724772-32700	PUMP ASSY, LUB. OIL	1	1							S
		(A=E/#82066)										
1-2	1	724790-32101	PUMP ASSY, LUB. OIL	1	1							N
		(A=E/#87435)										
		(C=E/#82677)										
2	1	721250-32700	PUMP ASSY, LUB. OIL		1		1					
2-1	1	121390-32001	PUMP ASSY, LUB. OIL		1		1					N
		(B=E/XXX)										
		(C=E/XXX)										
3	2	124450-32200	GEAR, LUB OIL PUMP	1								
3-1	2	121250-32201	GEAR	1	1	1	1					S
		(A=E/#82067)										
3-2	2	121390-32200	GEAR, LUB. OIL PUMP	1	1	1	1					S
		(A=E/#84439)										
		(B=E/#81149)										
		(C=E/#81289)										
		(D=E/#81193)										
4	2	22322-030220	TAPER PIN 3X22	1	1	1	1					Z
		(A=*1979.07)										
		(B=*1979.07)										
		(C=*1979.07)										
		(D=*1979.07)										
5	2	22351-040012	SPRING PIN 4X12	1	1	1	1					Z
		(A=*1979.07)										
		(B=*1979.07)										
		(C=*1979.07)										
		(D=*1979.07)										
6	2	22212-080000	SPRING WASHER 8	1	1	1	1					
7	2	22522-030100	WOODRUFF KEY 3X10	1	1	1	1					
8	2	26716-080002	NUT M 8	1	1	1	1					
9	2	26117-060229	BOLT M 6X 22	3	3	3	3					
10	2	124450-32020	GASKET	1	1	1	1					
11	2	124772-35060	PIPE, OIL INLET	1		1						
12	2	121370-35061	PIPE, OIL INLET		1		1					
13	2	124450-35070	NUT PF1/4	1	1	1	1					
14	1	124550-35110	ELEMENT, LUB. OIL	1	1	1	1					
15	1	124450-35301	VALVE ASSY, CONTROL	1		1						
16	1	121250-35300	VALVE ASSY, CONTROL		1		1					
19	2	24190-100001	BALL 5/16, STEEL	1	1	1	1					
20	2	124450-35320	SPRING	1		1						
21	2	121250-35320	SPRING		1		1					
22	2	124450-35330	RETAINER	1		1						
23	2	121250-35330	RETAINER		1		1					
24	2	2252-000100	CIRCLIP 10	1		1						
25	2	121250-35340	SHIM		1		1					
26	1	124450-35350	NUT	1	1	1	1					
27	1	124465-39200	PIPE, LUB OIL	1		1						
28	1	121250-39200	PIPE, LUB OIL		1		1					
28-1	1	121252-39200	PIPE ASSY, LUB. OIL		1		1					R
		(B=*1979.03)										
		(D=*1979.03)										
29	1	124160-39140	BOLT 10, PIPE JOINT	1	1	1	1					
30	1	23414-100000	GASKET 10, ROUND	2	2	2	2					
31	1	23414-080000	GASKET 8, ROUND	4	6	4	6					
32	1	124550-59820	BOLT 8, PIPE JOINT	2		2						
33	1	101147-59810	BOLT 8, PIPE JOINT		3		3					
34	1	124450-39240	RETAINER, PIPE	1	1	1	1					
35	1	26557-080102	SCREW M 8X 10		1		1					
36	1	22137-080000	WASHER 8, POLISHED		1		1					
37	1	124770-34800	DIPSTICK, LUB. OIL	1	1	1	1					
38	1	24311-000090	O-RING 1A P-9.0	1	1	1	1					
39	1	124770-34710	PIPE, DIPSTICK	1	1	1	1					

Remarks  
(1)OPTIONAL

Fig.8. LUB.OIL SYSTEM



OCR10-G09109 8. LUB.OIL SYSTEM

(A)=2QM20  
(B)=3QM30  
(C)=2QM

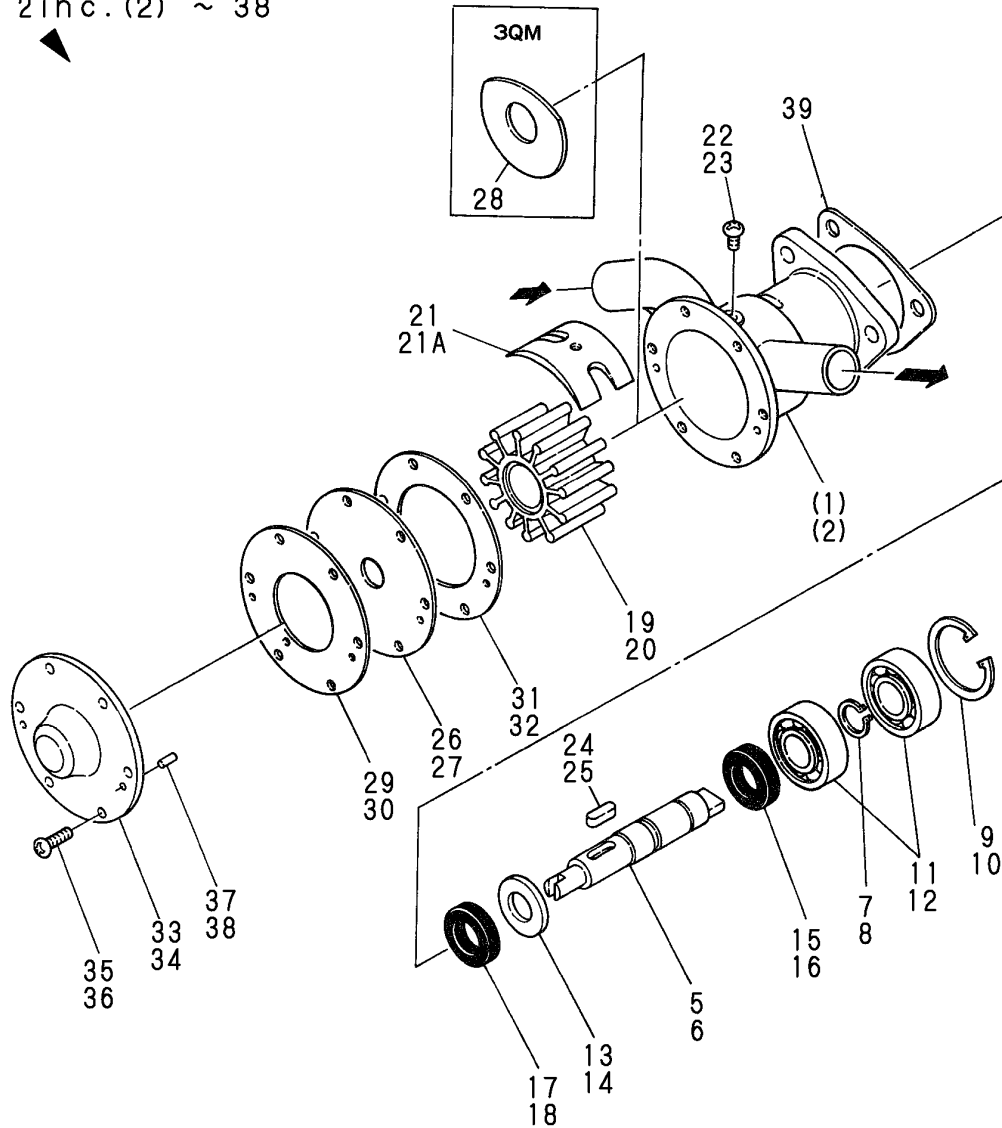
(D)=3QM  
(E)=  
(F)=

REF.	LEV.	PARTS NO.	DESCRIPTION	Q'TY						I	R
				(A)	(B)	(C)	(D)	(E)	(F)		
40	1	124770-34720	BOLT, PIPE JOINT	1	1	1	1				
41	1	124770-34730	GASKET	2	2	2	2				
42	1	124770-34750	RETAINER, PIPE	1	1	1	1				
43	1	26117-080149	BOLT M 8X 14 PLATED	1	1	1	1				
44	1	22212-080000	SPRING WASHER 8	1	1	1	1				
44-1	1	22217-080000	SPRING WASHER 8	1	1	1	1				N
		(A=EXXX)	(B=EXXX)	(C=EXXX)	(D=EXXX)						
45	1	121370-35080	RETAINER, PIPE		1		1				
46	1	26116-060142	BOLT M 6X 14		1		1				
47	1	22212-060000	SPRING WASHER 6		1		1				
47-1	1	22217-060000	SPRING WASHER 6		1		1				N
		(B=EXXX)	(D=EXXX)								
48	1	724772-39500	PUMP ASSY, WASTE	1	1	1	1				1
50	2	104214-39650	JOINT, PIPE	1	1	1	1				
51	2	124772-39950	PIPE	1	1	1	1				
52	2	23010-012000	CLAMP 12	1	1	1	1				
53	2	23414-140000	GASKET 14, ROUND	1	1	1	1				
54	1	124450-35110	O-RING, L.O.STRAINER	1	1	1	1				

Remarks  
(1)OPTIONAL

Fig.9. C.S.W.PUMP & BILGE PUMP

1 inc. (1) ~ 37  
2 inc. (2) ~ 38



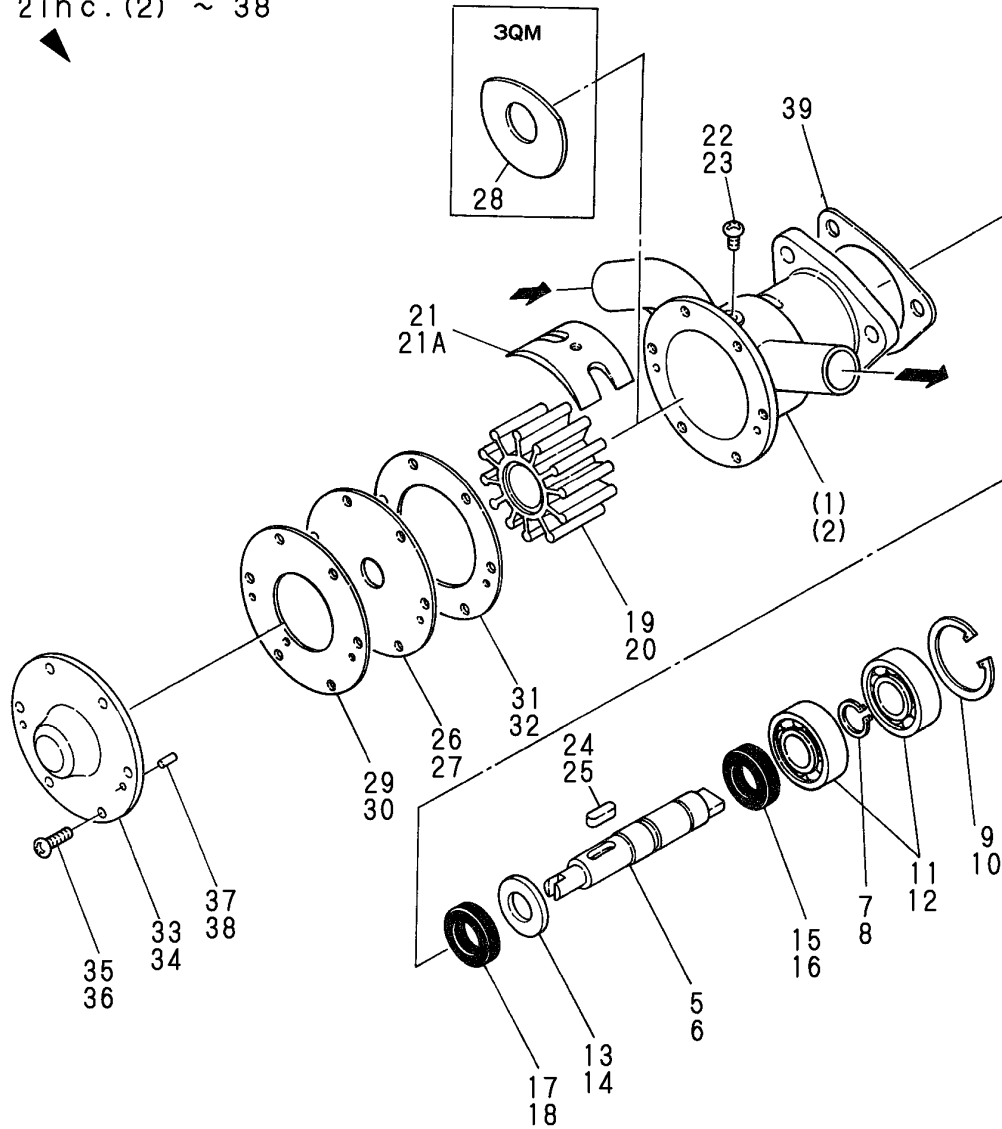
(A)=2QM20  
(B)=3QM30  
(C)=2QM  
(D)=3QM  
(E)=  
(F)=

REF.	LEV.	PARTS NO.	DESCRIPTION	QTY						I	R
				(A)	(B)	(C)	(D)	(E)	(F)		
1	1	724770-42700	PUMP ASSY, C. WATER	1	1	1					
1-1	1	724770-42701	PUMP ASSY, C. WATER	1	1	1					N
				(A=E/#86258) (B=E/#82252) (C=E/#82245)							
2	1	721390-42700	PUMP ASSY, C. WATER							1	
2-1	1	721390-42701	PUMP ASSY, C. WATER							1	N
				(D=E/#82220)							
5	2	124770-42030	SHAFT, IMPELLER	1	1	1					
5-1	2	124772-42130	SHAFT, IMPELLER	1	1	1					S
				(A=E/#86258) (B=E/#82252) (C=E/#82245)							
6	2	121390-42030	SHAFT, IMPELLER							1	
6-1	2	121390-42130	SHAFT, IMPELLER							1	S
				(D=E/#82220)							
7	2	22242-000150	CIRCLIP 15	1	1	1					
8	2	22242-000170	CIRCLIP 17							1	
9	2	22252-000350	CIRCLIP 35	1	1	1					
10	2	22252-000400	CIRCLIP 40							1	
11	2	24101-062024	BALL BEARING	2	2	2					
12	2	24101-062034	BALL BEARING							2	
13	2	124223-42070	PIECE	1	1	1					
14	2	145410-46070	RING							1	
15	2	124223-42160	OIL SEAL TC15307	1	1	1					
16	2	145410-46080	OIL SEAL TC17328							1	
17	2	124223-42080	OIL SEAL TC13287	1	1	1					
18	2	145410-46080	OIL SEAL TC17328							1	
19	2	124223-42091	IMPELLER, C. WATER	1	1	1					
20	2	145410-46090	IMPELLER, C. WATER							1	
21	2	124223-42100	CAM, IMPELLER	1	1	1					
21-1	2	124323-42100	CAM, IMPELLER	1	1	1					N
				(A=E/XXX) (B=E/XXX) (C=E/XXX)							
21A	2	145410-46100	CAM, IMPELLER							1	
22	2	26554-040102	SCREW M 4X 10	1	1	1					
23	2	26554-050082	SCREW M 5X 8							1	
24	2	124223-42040	KEY	1	1	1					
25	2	145410-46040	KEY							1	
26	2	124223-42120	PLATE, WEAR	1	1	1					Z
				(A=E/#86258) (B=E/#82252) (C=E/#82245)							
27	2	121390-46130	PLATE							1	Z
				(D=E/#82220)							
28	2	145410-46120	PLATE (A)							1	
29	2	124223-42140	GASKET	1	1	1					Z
				(A=E/#86258) (B=E/#82252) (C=E/#82245)							
30	2	121390-42140	GASKET							1	Z
				(D=E/#82220)							
31	2	124223-42110	GASKET	1	1	1					
32	2	145410-46110	PACKING							1	
33	2	124223-42150	COVER	1	1	1					
33-1	2	121575-42150	COVER	1	1	1					S
				(A=E/#86258) (B=E/#82252) (C=E/#82245)							
34	2	121390-42150	COVER							1	
34-1	2	145410-46130	PLATE (B)							1	S
				(D=E/#82220)							

N:Old  $\begin{matrix} \text{Yes} \\ \text{No} \end{matrix}$  New, Q:Old  $\begin{matrix} \text{No} \\ \text{Yes} \end{matrix}$  New, R:Old  $\begin{matrix} \text{Yes} \\ \text{No} \end{matrix}$  New, S:Old  $\begin{matrix} \text{No} \\ \text{Yes} \end{matrix}$  New, W:Add, Z:Discontinued, F:Interchangeable by set, K:Q'ty Change  
++ CONTINUE ++

Fig.9. C.S.W.PUMP & BILGE PUMP

1 inc. (1) ~ 37  
 2 inc. (2) ~ 38

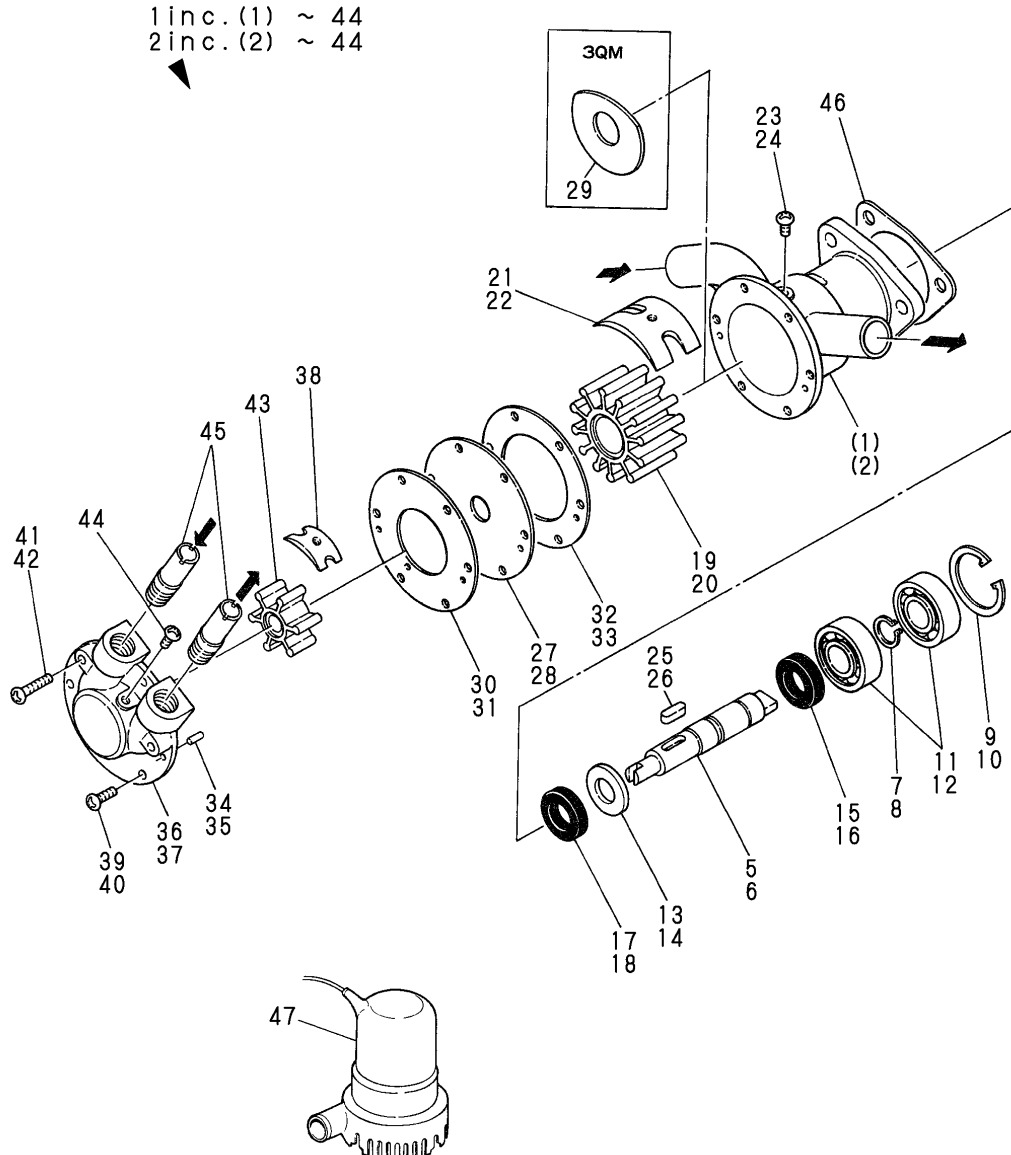


(A)=2QM20  
 (B)=3QM30  
 (C)=2QM  
 (D)=3QM  
 (E)=  
 (F)=

REF.	LEV.	PARTS NO.	DESCRIPTION	QTY						I	R
				(A)	(B)	(C)	(D)	(E)	(F)		
35	2	26554-040122	SCREW M 4X 12	6	6	6					
35-1	2	26554-040082	SCREW M 4X 8	6	6	6					S
		(A=E/#86258) (B=E/#82252) (C=E/#82245)									
36	2	26113-060169	BOLT M 6X 16							6	
36-1	2	26113-060102	BOLT M 6X 10							6	S
		(D=E/#82220)									
37	2	22312-030080	PARALLEL PIN 3X 8	2	2	2					Z
		(A=E/#86258) (B=E/#82252) (C=E/#82245)									
38	2	22312-040100	PARALLEL PIN 4X10							2	Z
		(D=E/#82220)									
39	1	124223-42020	GASKET	1	1	1	1				



Fig.10. C.S.W.PUMP & BILGE PUMP

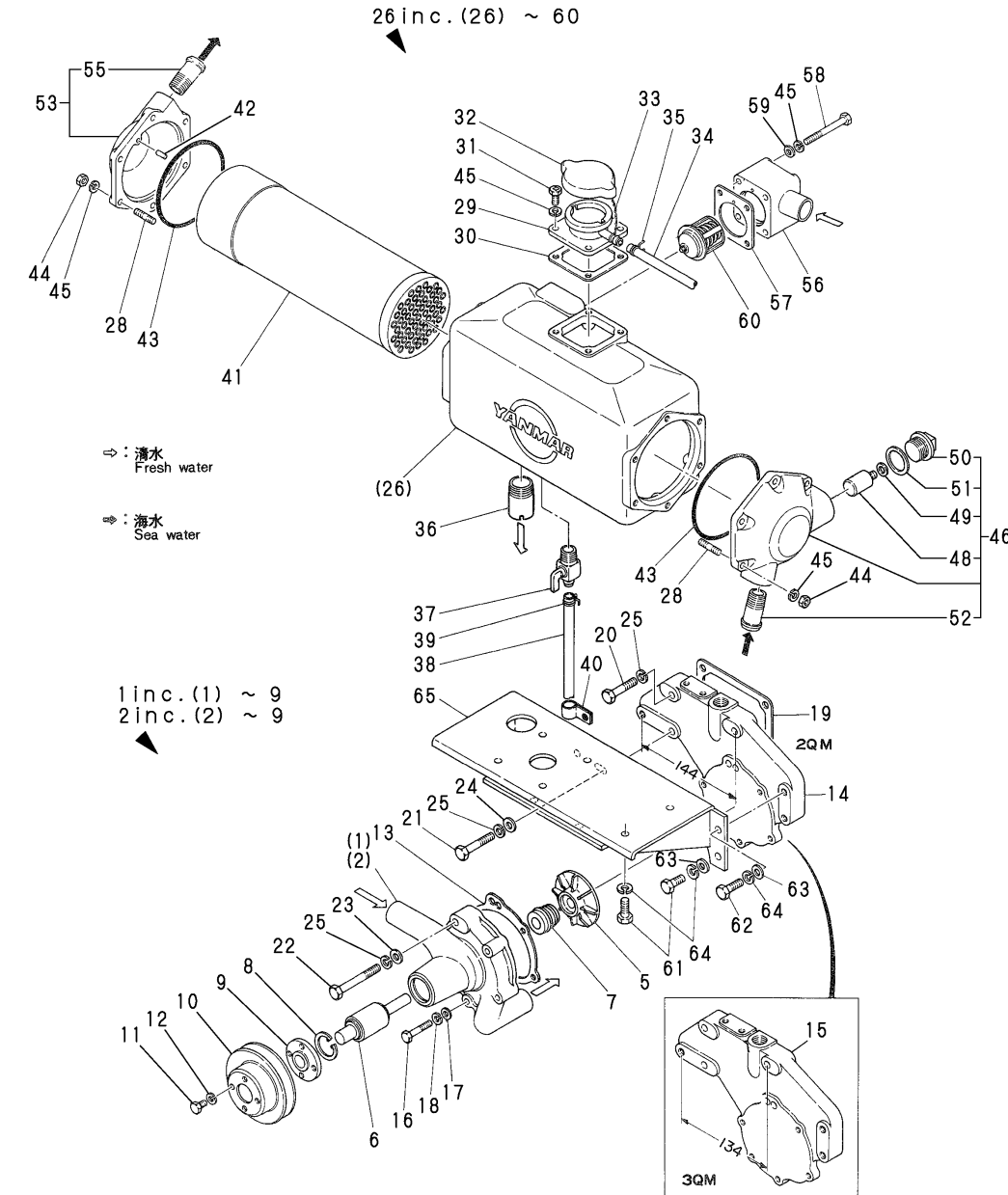


(A)=2QM20  
(B)=3QM30  
(C)=2QM  
(D)=3QM  
(E)=  
(F)=

REF.	LEV.	PARTS NO.	DESCRIPTION	QTY						I	R
				(A)	(B)	(C)	(D)	(E)	(F)		
1	1	724770-42500	PUMP W/BILGE, C.W.	1	1	1					
2	1	721390-42500	PUMP W/BILGE, C.W.						1		
5	2	124770-42030	SHAFT, IMPELLER	1	1	1					
6	2	121390-42030	SHAFT, IMPELLER						1		
7	2	22242-000150	CIRCLIP 15	1	1	1					
8	2	22242-000170	CIRCLIP 17						1		
9	2	22252-000350	CIRCLIP 35	1	1	1					
10	2	22252-000400	CIRCLIP 40						1		
11	2	24101-062024	BALL BEARING	2	2	2					
12	2	24101-062034	BALL BEARING						2		
13	2	124223-42070	PIECE	1	1	1					
14	2	145410-46070	RING						1		
15	2	124223-42160	OIL SEAL TC15307	1	1	1					
16	2	145410-46080	OIL SEAL TC17328						1		
17	2	124223-42080	OIL SEAL TC13287	1	1	1					
18	2	145410-46080	OIL SEAL TC17328						1		
19	2	124223-42091	IMPELLER, C. WATER	1	1	1					
20	2	145410-46090	IMPELLER, C. WATER						1		
21	2	124323-42100	CAM, IMPELLER	1	1	1					
22	2	145410-46100	CAM, IMPELLER						1		
23	2	26554-040102	SCREW M 4X 10	1	1	1					
24	2	26554-050082	SCREW M 5X 8						1		
25	2	124223-42040	KEY	1	1	1					
26	2	145410-46040	KEY						1		
27	2	124223-42120	PLATE, WEAR	1	1	1					
28	2	121390-46130	PLATE						1		
29	2	145410-46120	PLATE (A)						1		
30	2	124223-42140	GASKET	1	1	1					
31	2	121390-42140	GASKET						1		
32	2	124223-42110	GASKET	1	1	1					
33	2	145410-46110	PACKING						1		
34	2	22312-030080	PARALLEL PIN 3X 8	2	2	2					
35	2	22312-040100	PARALLEL PIN 4X10						2		
36	2	124223-46011	BODY, BILGE PUMP	1	1	1					
37	2	121390-46010	BODY, BILGE PUMP						1		
38	2	104211-42050	CAM	1	1	1					
39	2	26554-040122	SCREW M 4X 12	4	4	4					
40	2	26113-060169	BOLT M 6X 16						4		
41	2	26554-040222	SCREW M 4X 22	2	2	2					
42	2	26113-060259	BOLT M 6X 25						2		
43	2	104211-42070	IMPELLER, C. WATER	1	1	1	1				
44	2	26554-040062	SCREW M 4X 6	1	1	1	1				
45	1	124223-46150	JOINT, PIPE	2	2	2	2				
46	1	124223-42020	GASKET	1	1	1	1				
47	1	977783-00121	PUMP 12V, BILGE			1	1				1

Remarks  
(1)OPTIONAL

Fig.11. C.F.W.PUMP & C.F.W.COOLER



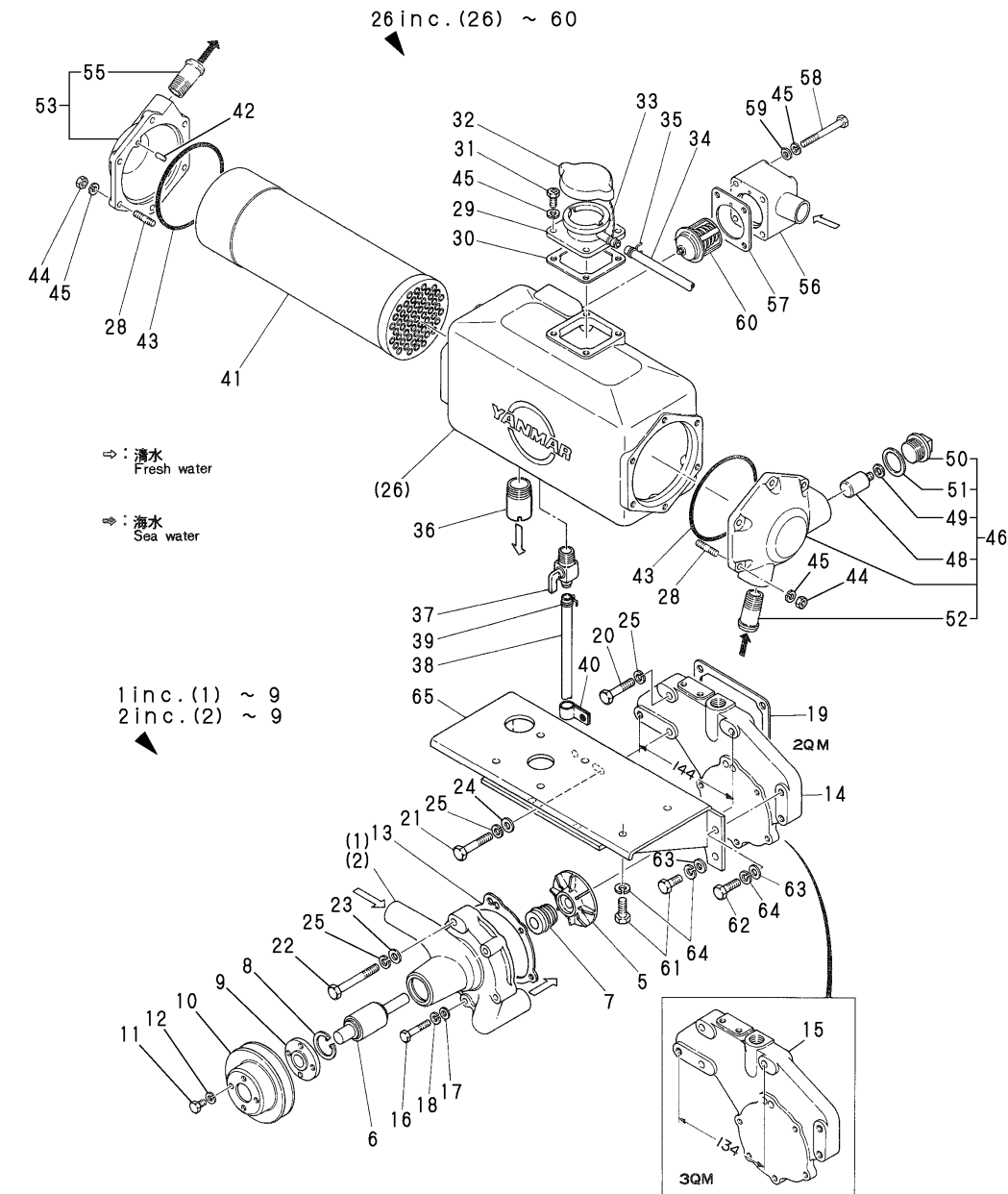
Remarks  
(1) NOT ILLUSTRATED.

(A)=2QM20 (D)=3QM  
(B)=3QM30 (E)=  
(C)=2QM (F)=

REF.	LEV.	PARTS NO.	DESCRIPTION	QTY						I	R
				(A)	(B)	(C)	(D)	(E)	(F)		
1	1	724790-43700	PUMP ASSY, C. WATER	1		1					
2	1	721390-43700	PUMP ASSY, C. WATER		1			1			
5	2	124250-42200	IMPELLER	1	1	1	1				
6	2	124250-42240	SHAFT, IMPELLER	1	1	1	1				
7	2	124250-42350	SEAL, MECHANICAL	1	1	1	1				
8	2	124250-42170	CIRCLIP	1	1	1	1				
9	2	124250-42260	FLANGE, V-PULLEY	1	1	1	1				
10	1	124750-42350	V-PULLEY, C.W. PUMP	1	1	1	1				
11	1	26116-060122	BOLT 6X12	4	4	4	4				
12	1	22212-060000	SPRING WASHER 6				4	4			
12-1	1	22217-060000	SPRING WASHER 6				4	4			N
		(A=EXXX) (B=EXXX) (C=EXXX) (D=EXXX)									
13	1	124790-42050	GASKET	1	1	1	1				
14	1	124790-42120	BRACKET, C.W. PUMP	1		1					
15	1	121390-42120	BRACKET, C.W. PUMP		1		1				
16	1	26116-060352	BOLT M 6X 35 PLATED	5	5	5	5				
17	1	22137-060000	WASHER 6, POLISHED	5	5	5	5				
18	1	22212-060000	SPRING WASHER 6				5	5			
18-1	1	22217-060000	SPRING WASHER 6	5	5	5	5				N
		(A=EXXX) (B=EXXX) (C=EXXX) (D=EXXX)									
19	1	124450-44410	GASKET	1	1	1	1				
20	1	26116-080402	BOLT M 8X 40 PLATED	2	2	2	2				
21	1	26116-080452	BOLT M 8X 45 PLATED	1	1	1	1				
22	1	26116-080652	BOLT M 8X 65 PLATED	1	1	1	1				
23	1	22137-080000	WASHER 8, POLISHED	1	1	1	1				
24	1	22157-080000	WASHER 8	1	1	1	1				
25	1	22212-080000	SPRING WASHER 8				4	4			
25-1	1	22217-080000	SPRING WASHER 8	4	4	4	4				N
		(C=EXXX) (D=EXXX)									
26	1	724790-44500	EXCHANGER ASSY, HEAT	1	1	1	1				
28	2	26226-060182	STUD M 6X 18 PLATED	12	12	12	12				
29	2	123672-44190	FILLER ASSY	1	1	1	1				
30	2	123672-44200	PACKING, FILLER	1	1	1	1				
31	2	26117-060169	BOLT M 6X 16 PLATED	4	4	4	4				
32	2	123672-44210	CAP	1	1	1	1				
33	2	123682-44220	CHAIN	1	1	1	1				
34	2	23061-070700	PIPE 7X 700				1	1			
34-1	2	23061-070650	PIPE 7X 650	1	1	1	1				N
		(C=*1977.03) (D=*1977.03)									
35	2	124450-44560	CLAMP				1	1			
35-1	2	124460-77680	RETAINER	1	1	1	1				N
		(C=*1976.12) (D=*1976.12)									
36	2	124790-49600	PIPE JOINT PT3/4	1	1	1	1				
37	2	104200-11920	COCK				1	1			
37-1	2	43600-500310	COCK	1	1	1	1				S
		(C=E/#81899) (D=E/#81809)									
38	2	23061-100500	PIPE 10X 500				1	1			
38-1	2	23061-120600	PIPE 12X 600	1	1	1	1				S
		(C=E/#81899) (D=E/#81809)									
39	2	124223-49750	BAND				1	1			
39-1	2	23010-017000	CLAMP 17	1	1	1	1				S

N:Old  $\xrightarrow{Yes}$  New, Q:Old  $\xrightarrow{No}$  New, R:Old  $\xrightarrow{Yes}$  New, S:Old  $\xrightarrow{No}$  New, W:Add, Z:Discontinued, F:Interchangeable by set, K:Q'ty Change  
 ++ CONTINUE ++  
 (C)Copy Rights YANMAR CO.,LTD.

Fig.11. C.F.W.PUMP & C.F.W.COOLER



(A)=2QM20  
(B)=3QM30  
(C)=2QM

(D)=3QM  
(E)=  
(F)=

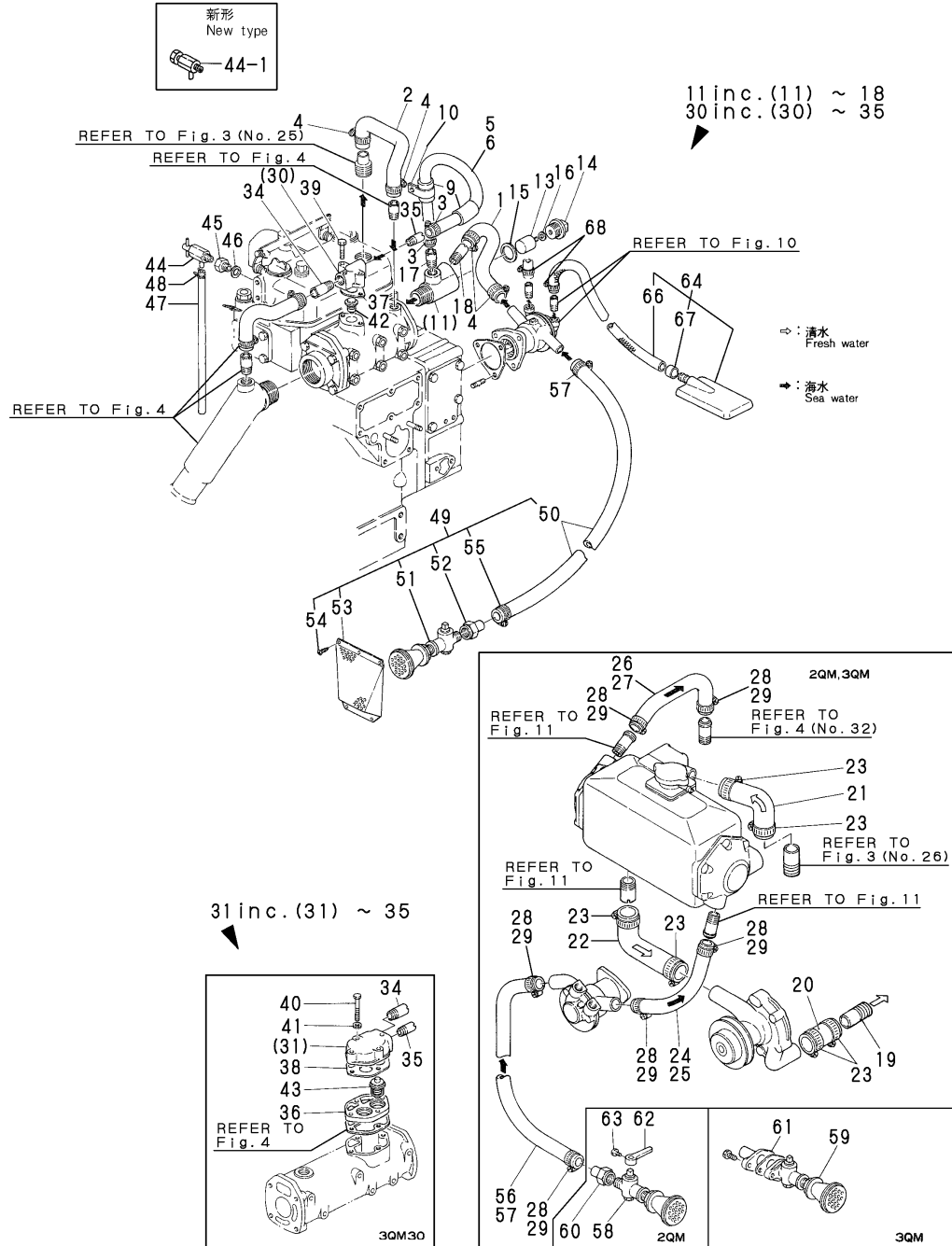
REF.	LEV.	PARTS NO.	DESCRIPTION	QTY						I	R
				(A)	(B)	(C)	(D)	(E)	(F)		
			(B=E/#81577) (C=E/#81899)								
40	2	103884-03160	RETAINER			1	1				
40-1	2	120445-77950	BRACKET	1	1	1	1				S
			(C=E/#81899) (D=E/#81809)								
41	2	124790-44400	STACK ASSY	1	1	1	1				
42	2	124790-44470	PIN	1	1	1	1				
43	2	24311-000950	O-RING 1A P-95.0	2	2	2	2				
44	2	26716-060002	NUT 6	12	12	12	12				
45	2	22212-060000	SPRING WASHER 6			20	20				
45-1	2	22217-060000	SPRING WASHER 6	20	20	20	20				N
			(C=E/XXX) (D=E/XXX)								
46	2	724790-44550	COVER ASSY, (R)	1	1	1	1				
48	3	27210-200300	ZINC, ANTI-CORROSIVE	1	1	1	1				
49	3	123210-09310	PACKING	1	1	1	1				
50	3	124220-09320	PLUG	1	1	1	1				
51	3	23414-250000	GASKET 25,ROUND	1	1	1	1				
52	3	123325-49220	JOINT, PIPE	1	1	1	1				
53	2	724790-44560	COVER ASSY, (L)	1	1	1	1				
55	3	123325-49220	JOINT, PIPE	1	1	1	1				
56	2	124790-49750	HOUSING, THERMOSTART	1	1	1	1				
57	2	124790-49760	PACKING, THERMOSTART	1	1	1	1				
58	2	26116-060602	BOLT M 6X 60 PLATED	4	4	4	4				
59	2	22137-060000	WASHER 6, POLISHED	4	4	4	4				
60	2	124790-49800	THERMOSTAT	1	1	1	1				
61	1	26116-080202	BOLT M 8X 20 PLATED	10	10	10	10				
62	1	26116-080252	BOLT M 8X 25 PLATED	1	1	1	1				
63	1	22137-080000	WASHER 8, POLISHED	4	4	4	4				
64	1	22212-080000	SPRING WASHER 8			11	11				
64-1	1	22217-080000	SPRING WASHER 8	11	11	11	11				N
			(C=E/XXX) (D=E/XXX)								
65	1	124790-44100	BRACKET, EXCHANGER	1	1	1	1				
66	1	120445-44530	TANK ASSY, RESERVE	1	1						1
67	1	120445-44540	BRACKET, SUB-TANK	1	1						1
68	1	124790-44560	PIPE, C. WATER	1	1						1
69	1	23010-013000	CLAMP 13	1	1						1

Remarks  
(1)NOT ILLUSTRATED.

Fig.12. COOLING WATER SYSTEM

(A)=2QM20  
(B)=3QM30  
(C)=2QM

(D)=3QM  
(E)=  
(F)=

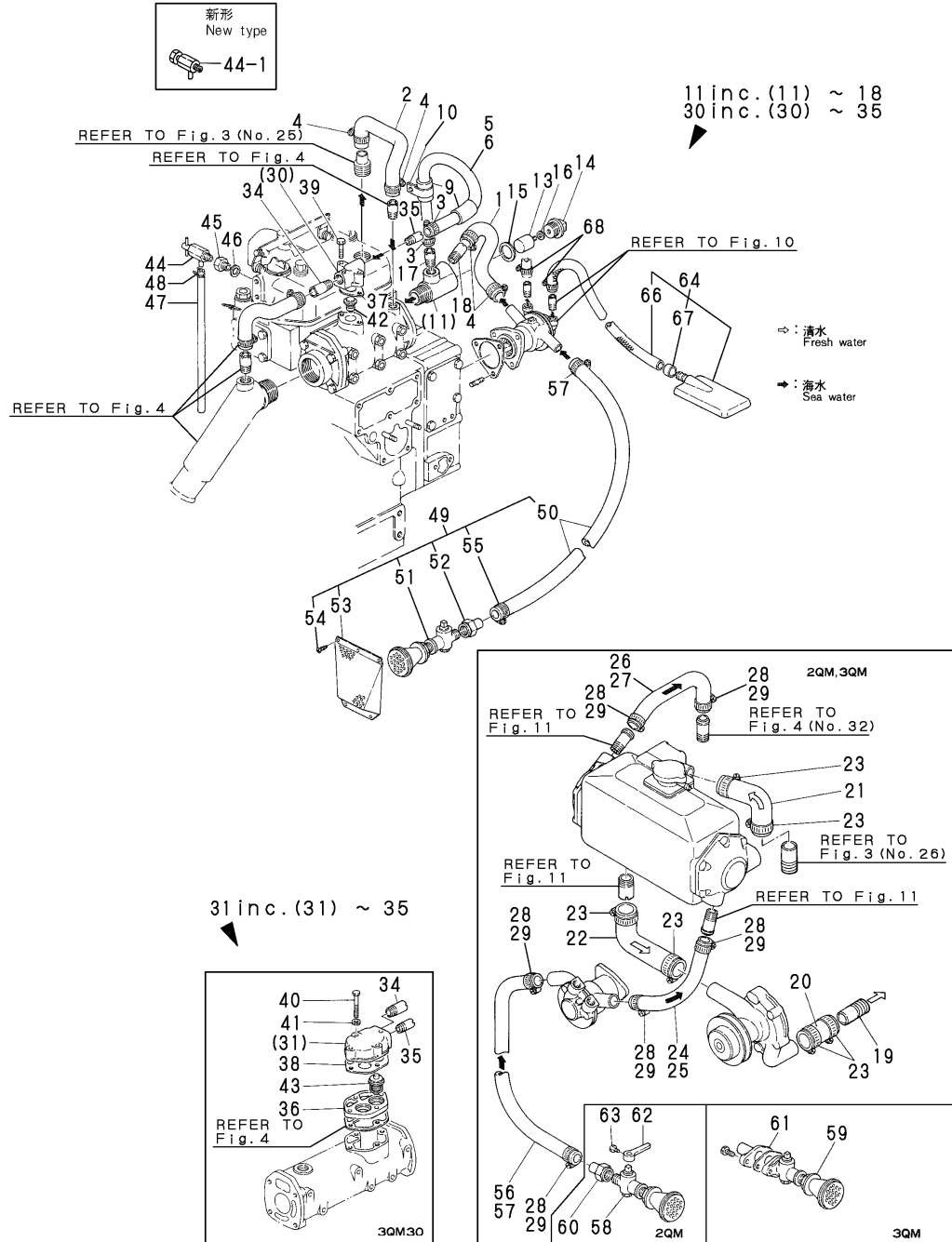


REF.	LEV.	PARTS NO.	DESCRIPTION	QTY						I	R
				(A)	(B)	(C)	(D)	(E)	(F)		
1	1	121370-49010	PIPE, COOLING WATER	1	1						
2	1	124770-49020	PIPE, COOLING WATER	1							
2A	1	121370-49020	PIPE, COOLING WATER		1						
3	1	23000-022000	CLAMP 22	2	2						
4	1	23000-025000	CLAMP 25	4	4						
5	1	124770-49060	PIPE, COOLING WATER	1							
6	1	121370-49060	PIPE, COOLING WATER		1						
9	2	105582-49900	PROTECTOR	2	2						
10	1	124770-49310	RETAINER	1	1						
11	1	724770-01450	JOINT ASSY, 3-WAY	1	1						
13	2	27210-200300	ZINC, ANTI-CORROSIVE	1	1						
14	2	124220-09320	PLUG	1	1						
15	2	23414-250000	GASKET 25,ROUND	1	1						
16	2	123210-09310	PACKING	1	1						
17	2	104211-49060	PIPE JOINT PT1/4	1	1						
18	2	124223-49300	PIPE JOINT PT3/8	1	1						
19	1	124790-49600	PIPE JOINT PT3/4				1	1			
20	1	124790-49510	PIPE, COOLING WATER				1	1			
21	1	124790-49520	PIPE, COOLING WATER				1	1			
22	1	124790-49530	PIPE, COOLING WATER				1	1			
23	1	23000-041000	CLAMP 41				6	6			
24	1	124790-49010	PIPE (A), C. WATER				1				
25	1	121390-49010	PIPE (A), C. WATER					1			
26	1	124790-49020	PIPE (B), C. WATER				1				
27	1	121390-49020	PIPE (B), C. WATER						1		
28	1	23000-025000	CLAMP 25				6				
29	1	23000-035000	CLAMP 35						6		
30	1	124770-49190	COVER, THERMOSTAT	1							
31	1	121370-49190	COVER, THERMOSTAT		1						
34	2	124223-49300	PIPE JOINT PT3/8	1	1						
35	2	104211-49060	PIPE JOINT PT1/4	1	1						
36	1	121370-49171	SUPPORT, THERMOSTAT				1				
37	1	104211-49160	PACKING	1							
38	1	121370-49160	PACKING		1						
39	1	26117-060359	BOLT M 6X 35 PLATED	2							
40	1	26116-060502	BOLT M 6X 50 PLATED		4						
41	1	22212-060000	SPRING WASHER 6		4						
41-1	1	22217-060000	SPRING WASHER 6		4						N
		(B=EXXX)									
42	1	124770-49200	THERMOSTAT	1							
43	1	105582-49200	THERMOSTAT		1						
44	1	43600-001200	SEE 43600-500290	1	1						
44-1	1	43600-500290	COCK 1/4	1	1	1	1				N
		(A=*1978.12) (B=*1978.12)									
45	1	121370-01850	JOINT	1	1	1	1				
46	1	23414-140000	GASKET 14, ROUND	1	1	1	1				
47	1	23061-070300	PIPE 7X 300	1	1	1	1				
48	1	124450-44560	CLAMP	1	1	1	1				
48-1	1	124460-77680	RETAINER	1	1	1	1				N
		(A=*1976.12) (B=*1976.12) (C=*1976.12) (D=*1976.12)									
49	1	724770-48100	COCK ASSY, SEA WATER	1	1						

Fig.12. COOLING WATER SYSTEM

(A)=2QM20  
(B)=3QM30  
(C)=2QM

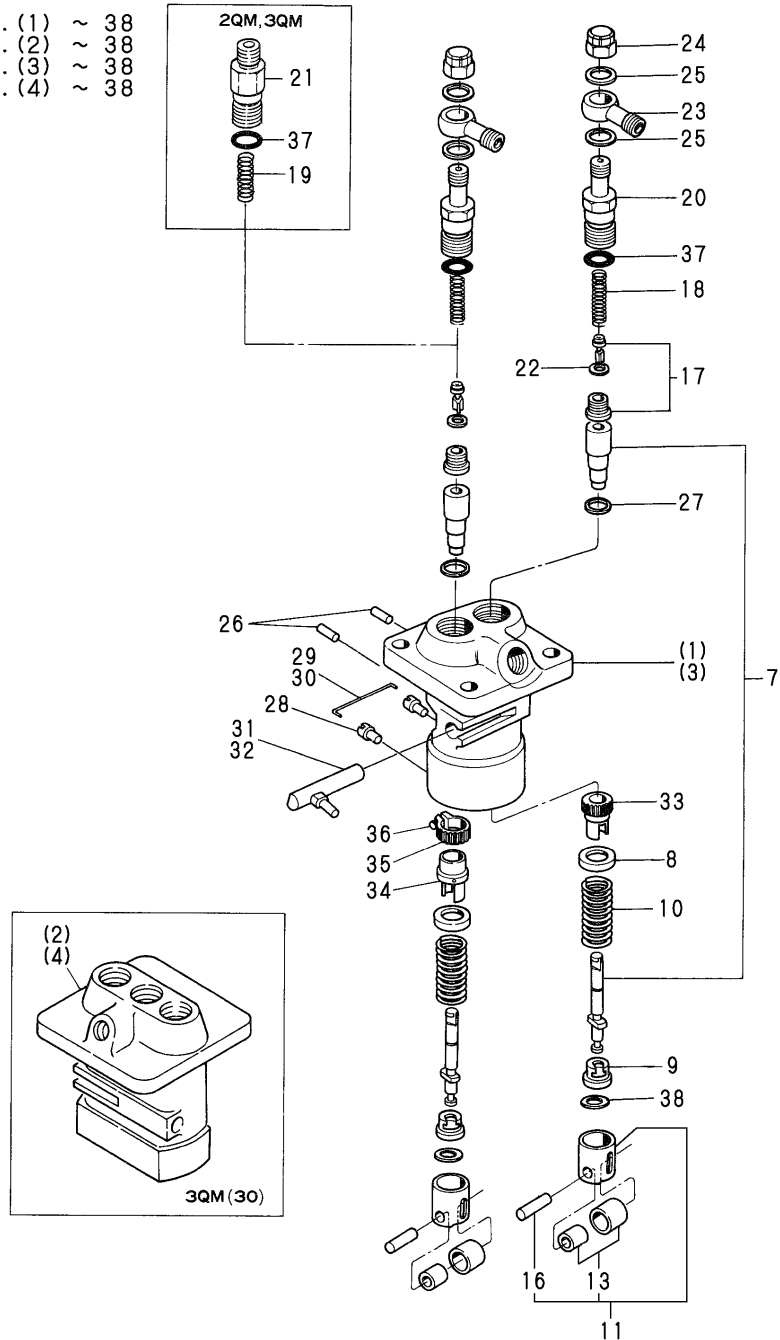
(D)=3QM  
(E)=  
(F)=



REF.	LEV.	PARTS NO.	DESCRIPTION	QTY						I	R
				(A)	(B)	(C)	(D)	(E)	(F)		
50	2	124223-49050	PIPE, COOLING WATER	1	1						
51	2	43662-015012	COCK ASSY, SEA WATER	1	1						
52	2	124223-48050	JOINT	1	1						
53	2	43600-500011	COVER, KINGSTON COCK	1	1						
54	2	22714-580250	SCREW 5.8X25	5	5						
55	2	23000-025000	CLAMP 25	2	2						
56	1	124223-49050	PIPE, COOLING WATER				1				
57	1	121390-49050	PIPE, COOLING WATER						1		
58	1	43662-015012	COCK ASSY, SEA WATER				1				
59	1	43662-020021	COCK ASSY, SEA WATER							1	
60	1	124223-48050	JOINT				1				
61	1	121390-48750	FLANGE							1	
62	1	124223-48400	HANDLE				1				
63	1	26113-040102	BOLT M 4X 10				1				
64	1	123220-46910	STRAINER, BILGE	1	1	1	1				
66	2	124223-46100	PIPE, BILGE	1	1	1	1				
67	2	124223-46950	RETAINER	1	1	1	1				
68	1	23000-020000	CLAMP 20	2	2	2	2				

Fig.13. FUEL INJECTION PUMP

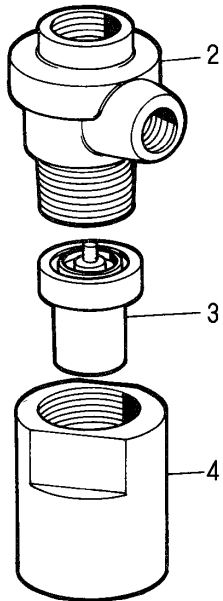
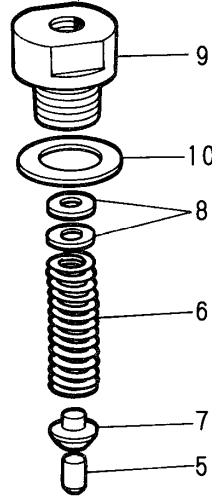
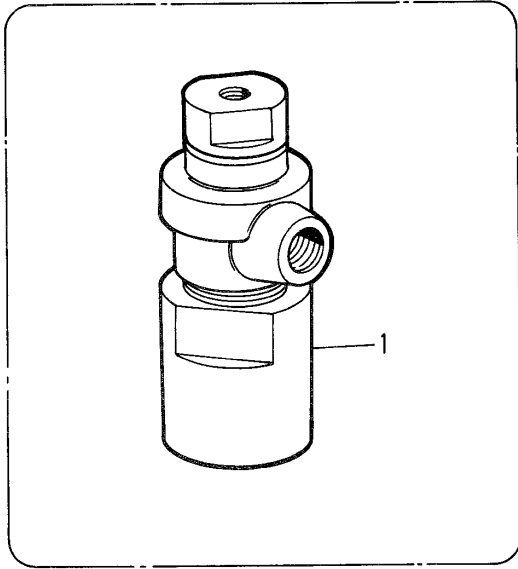
- 1 inc. (1) ~ 38
- 2 inc. (2) ~ 38
- 3 inc. (3) ~ 38
- 4 inc. (4) ~ 38



(A)=2QM20  
(B)=3QM30  
(C)=2QM  
(D)=3QM  
(E)=  
(F)=

REF.	LEV.	PARTS NO.	DESCRIPTION	Q'TY						I	R
				(A)	(B)	(C)	(D)	(E)	(F)		
1	1	724770-51700	PUMP ASSY. F.INJECT.	1							
2	1	724790-51700	PUMP ASSY. F.INJECT.				1				
3	1	721370-51700	PUMP ASSY. F.INJECT.		1						
4	1	721390-51700	PUMP ASSY. F.INJECT.						1		
7	2	124770-51100	PLUNGER W/BARREL	2	3	2	3				
8	2	174307-51170	RETAINER A	2	3	2	3				
9	2	174307-51180	RETAINER, LOWER	2	3	2	3				
10	2	174307-51190	SPRING, PLUNGER	2	3	2	3				
11	2	724550-51520	GUIDE, PLUNGER	2	3	2	3				
13	3	711100-51540	ROLLER ASSY	2	3	2	3				
16	3	174100-54120	PIN, ROLLER	2	3	2	3				
17	2	124550-51301	VALVE W/SEAT, DELIV.	2	3	2	3				
18	2	174307-51320	SPRING, DELIV. VALVE	2	3						
19	2	124550-51320	SPRING, DELIV. VALVE			2	3				
20	2	124550-51340	RETAINER	2	3						
21	2	124550-51341	RETAINER				2	3			
22	2	124550-51350	GASKET, DELIVERY	2	3	2	3				
23	2	174307-51380	NIPPLE	2	3						
24	2	174307-51370	CAP NUT	2	3						
25	2	124240-51390	GASKET	4	6						
26	2	174307-51250	PIN	2	3	2	3				
27	2	174307-51270	GASKET	2	3	2	3				
28	2	174307-51450	PIECE, GUIDE	2	3	2	3				
29	2	174307-51460	PIN	1		1					
30	2	121150-51460	PIN		1		1				
31	2	724240-51530	RACK W/PIN, CONTROL	1		1					
32	2	721150-51530	RACK W/PIN, CONTROL		1		1				
33	2	174307-51510	PINION	1	1	1	1				
34	2	174307-51550	RETAINER,PINION	1	2	1	2				
35	2	174307-51560	PINION	1	2	1	2				
36	2	122117-51560	SCREW, PINION	1	2	1	2				
37	2	124550-51370	O-RING, DELIVERY	2	3	2	3				
38	2	174307-51700	SHIM SET	2	3	2	3				

Fig.14. FUEL INJECTION VALVE



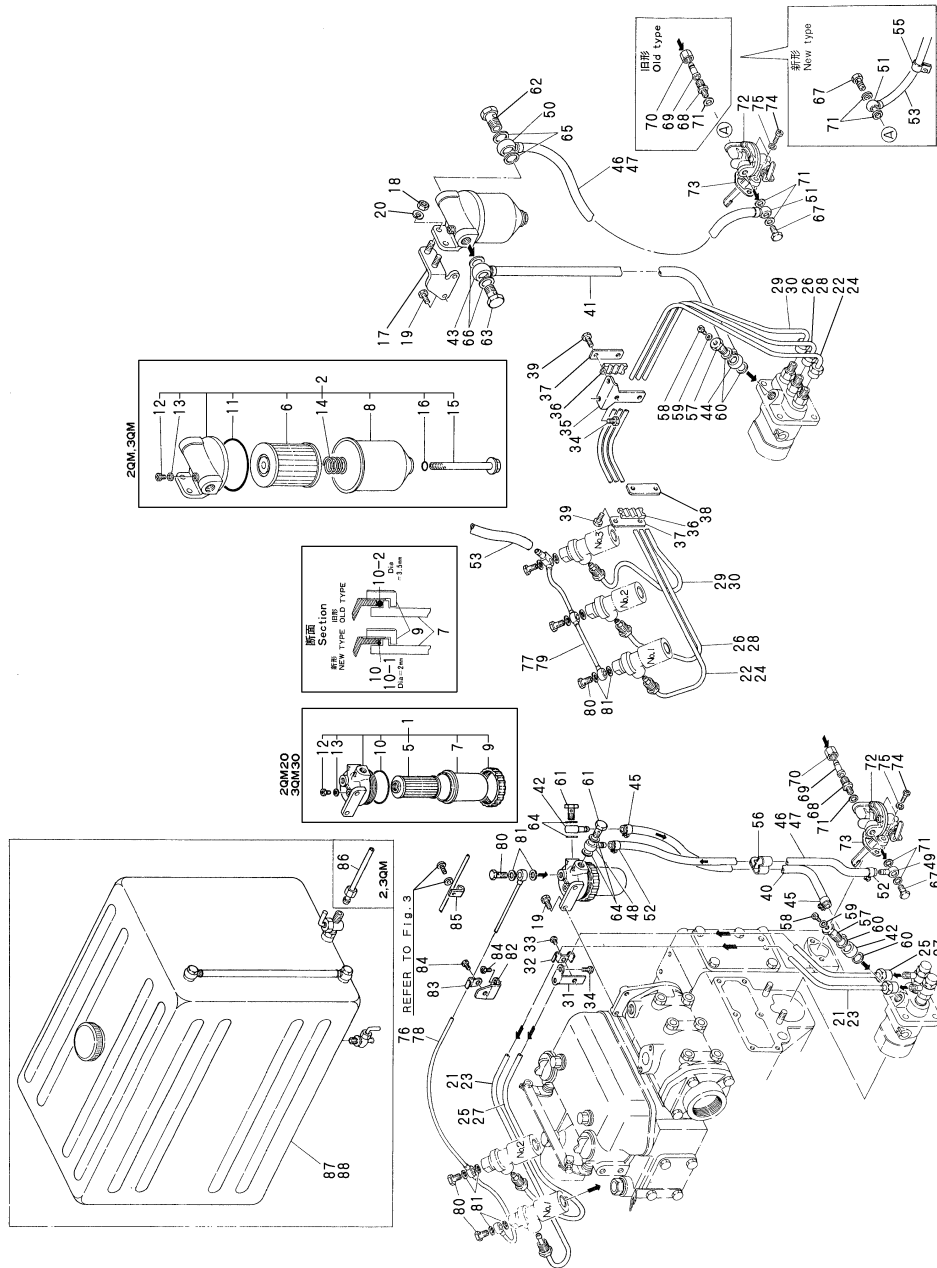
OCR10-G09109 14. FUEL INJECTION VALVE

(A)=2QM20  
(B)=3QM30  
(C)=2QM

(D)=3QM  
(E)=  
(F)=

REF.	LEV.	PARTS NO.	DESCRIPTION	Q'TY						I	R
				(A)	(B)	(C)	(D)	(E)	(F)		
1	1	724770-53100	VALVE ASSY, F.INJECT	2	3	2	3				
2	2	103854-53100	BODY, F.I. VALVE	2	3	2	3				
3	2	124770-53000	NOZZLE ASSY,F.INJECT	2	3	2	3				
4	2	104900-53080	HOLDER, VALVE W/CASE	2	3	2	3				
5	2	113200-53110	SPINDLE, INTER	2	3	2	3				
6	2	103854-53120	SPRING, NOZZLE	2	3	2	3				
7	2	113200-53120	SHOE, SPRING	2	3	2	3				
8	2	110250-53150	SHIM SET	2	3	2	3				
9	2	103854-53180	RETAINER, NOZ.SPRING	2	3	2	3				
10	2	172100-53200	GASKET	2	3	2	3				

Fig.15. FUEL SYSTEM



Remarks  
(1) NOT ILLUSTRATED.

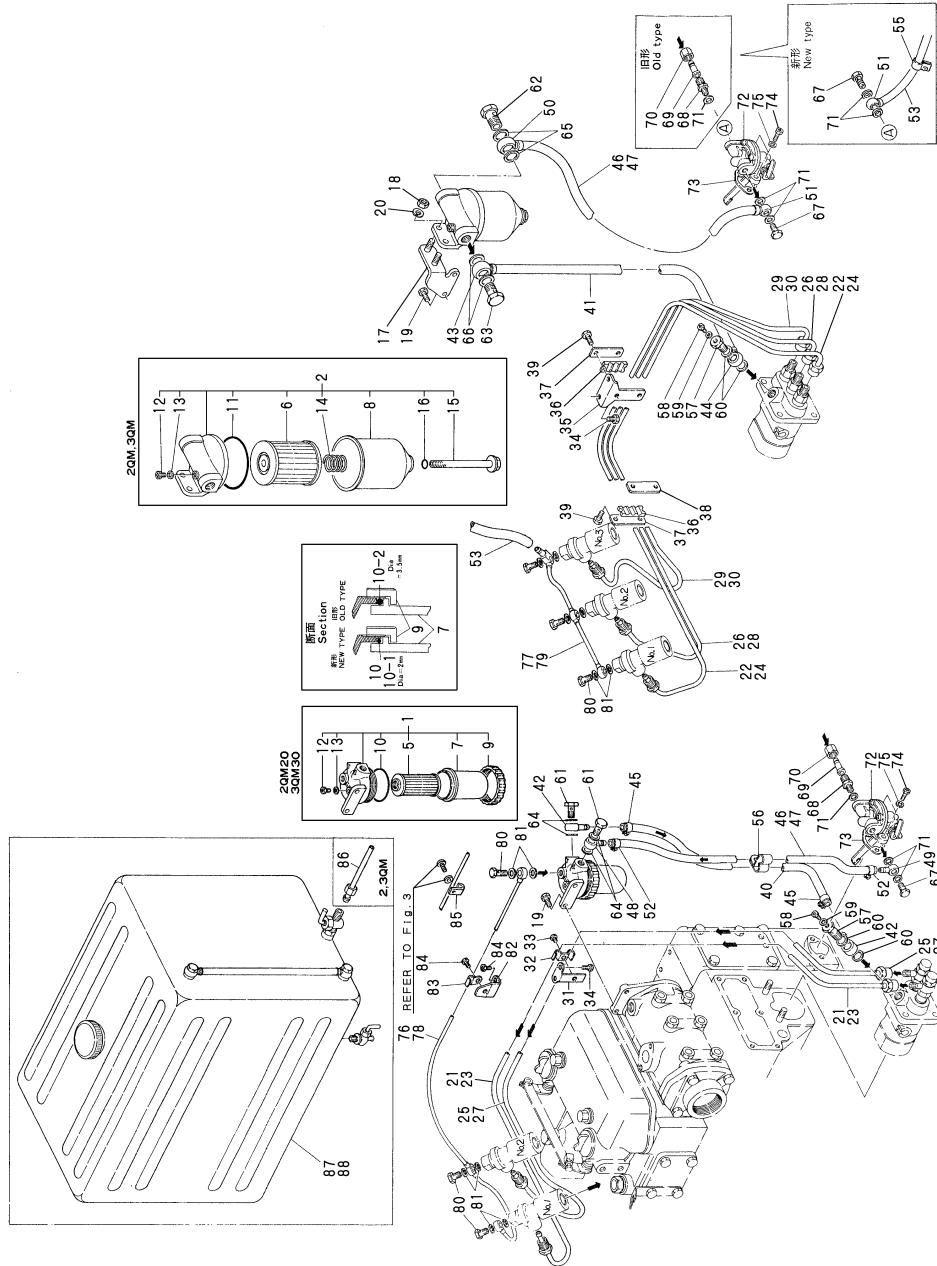
(A)=2QM20  
(B)=3QM30  
(C)=2QM  
(D)=3QM  
(E)=  
(F)=

REF.	LEV.	PARTS NO.	DESCRIPTION	(A)	(B)	(C)	(D)	(E)	(F)	QTY	I	R
1	1	121370-55600	STRAINER ASSY, FUEL	1	1							
1-1	1	121370-55601	STRAINER ASSY, FUEL	1	1							N
		(A=E/#85483) (B=E/#81654)										
2	1	724220-55500	STRAINER ASSY, FUEL				1	1				
5	2	104500-55710	ELEMENT, FUEL	1	1							
6	2	124220-35210	ELEMENT				1	1				
7	2	121370-55730	CUP, STRAINER	1	1							
8	2	124220-35220	COVER, STRAINER				1	1				
9	2	110250-55610	RING, RETAINING	1	1							
10	2	110250-55520	GASKET	1	1							
10-1	2	102103-55520	O-RING	1	1							N
		(A=E/XXX) (B=E/XXX)										
10-2	2	24341-000440	O-RING 1A S-44.0	1	1							S
		(A=E/#86617) (B=E/#82525)										
11	2	124220-35270	RING				1	1				
12	2	111154-51900	PLUG	1	1	1	1					
12-1	2	101720-51900	PLUG	1	1	1	1					N
		(A=E/XXX) (B=E/XXX) (C=E/XXX) (D=E/XXX)										
13	2	23418-060000	GASKET 6, NYLON	1	1	1	1					
14	2	124220-35240	SPRING			1	1					
15	2	124220-35230	BOLT			1	1					
16	2	24311-000120	O-RING 1A P 12.0			1	1					
17	1	124790-55800	BRACKET, STRAINER			1	1					
17-1	1	124790-55810	BRACKET, STRAINER			1	1					N
		(C=E/#80226) (D=E/#80181)										
17-2	1	724790-55900	BRACKET, STRAINER			1	1					N
		(C=E/#82415) (D=E/#82324)										
18	1	26716-080002	NUT M 8			2	2					
19	1	26116-060152	BOLT M 6X 15 PLATED	2	2	2	2					
19-1	1	26116-060402	BOLT M 6X 40 PLATED			2	2					S
		(C=E/#82415) (D=E/#82324)										
20	1	22212-060000	SPRING WASHER 6			2	2					
20-1	1	22217-060000	SPRING WASHER 6			2	2					N
		(C=E/XXX) (D=E/XXX)										
20-2	1	22217-060000	SPRING WASHER 6			2	2					Z
		(C=E/#82415) (D=E/#82324)										
21	1	124772-59810	PIPE (A), F. INJECT.	1								
22	1	121370-59810	PIPE (1), F. INJECT.		1							
23	1	124465-59810	PIPE (B), F. INJECT.			1						
24	1	121250-59830	PIPE (3), F. INJECT.					1				
25	1	124772-59820	PIPE (B), F. INJECT.	1								
26	1	121370-59820	PIPE (2), F. INJECT.		1							
27	1	124465-59800	PIPE (A), F. INJECT.			1						
28	1	121250-59820	PIPE (2), F. INJECT.					1				
29	1	121370-59830	PIPE (3), F. INJECT.		1							
30	1	121250-59810	PIPE (1), F. INJECT.					1				
31	1	124460-59850	RETAINER (A)	1		1						
32	1	124460-59860	RETAINER (B)	1		1						
33	1	26557-060082	SCREW M 6X 8	1	1							
34	1	26117-060109	BOLT M 6X 10 PLATED	2	2	2	2					
35	1	121250-59850	BRACKET (A)		1	1						

N:Old  $\xrightarrow{\text{Yes}}$  New, Q:Old  $\xrightarrow{\text{No}}$  New, R:Old  $\xrightarrow{\text{Yes}}$  New, S:Old  $\xrightarrow{\text{No}}$  New, W:Add, Z:Discontinued, F:Interchangeable by set, K:Q'ty Change  
++ CONTINUE ++  
(C)Copy Rights YANMAR CO.,LTD.



Fig.15. FUEL SYSTEM



Remarks  
(1) NOT ILLUSTRATED.

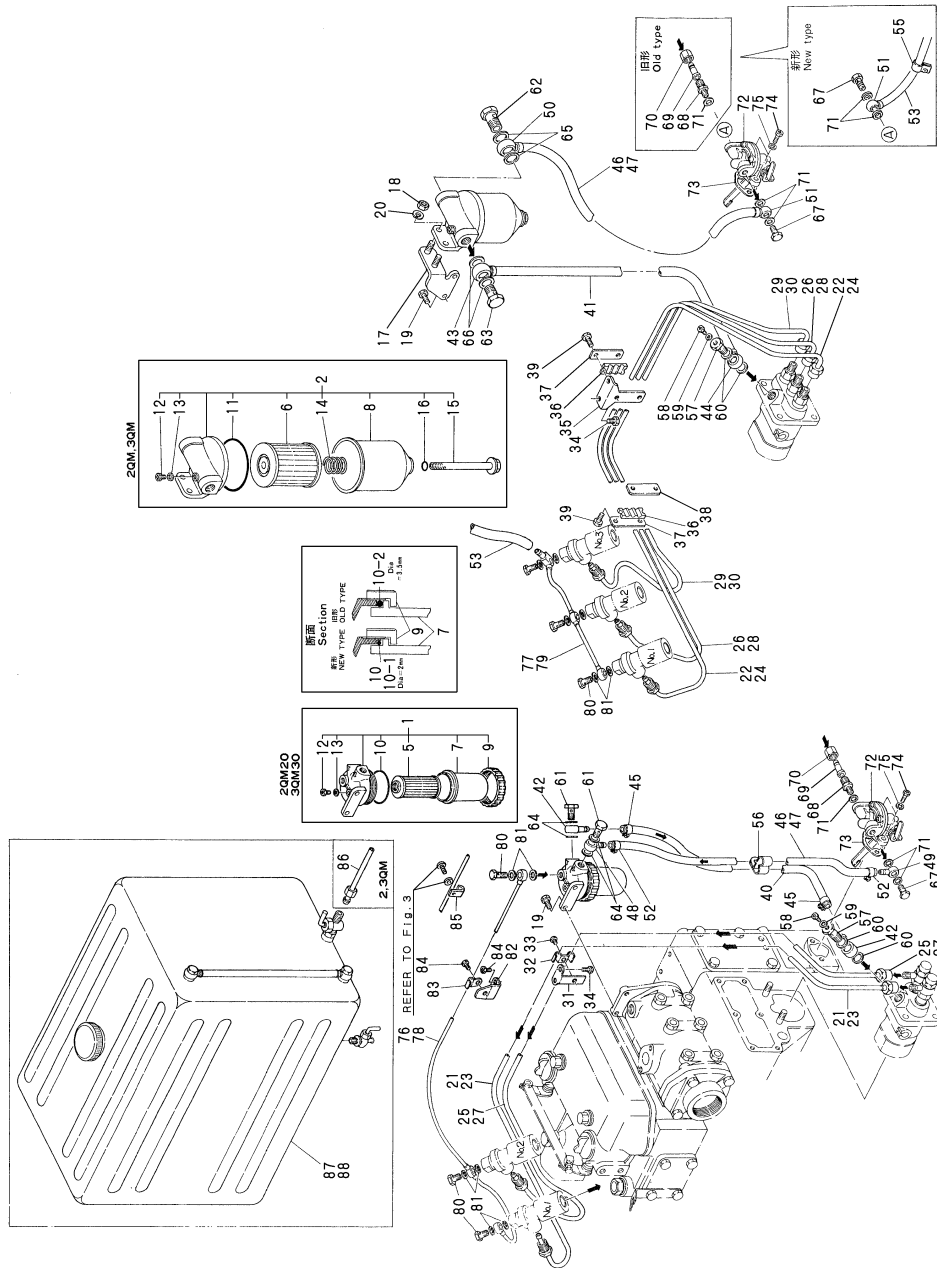
OCR10-G09109 15. FUEL SYSTEM

(A)=2QM20  
(B)=3QM30  
(C)=2QM  
(D)=3QM  
(E)=  
(F)=

REF.	LEV.	PARTS NO.	DESCRIPTION	QTY						I	R
				(A)	(B)	(C)	(D)	(E)	(F)		
36	1	123325-59100	RETAINER		2		2				
37	1	123325-59110	COVER		2		2				
38	1	121250-59860	RETAINER (B)		1		1				
39	1	26117-060169	BOLT M 6X 16 PLATED			4		4			
40	1	121370-59010	PIPE ASSY, FUEL OIL	1	1						
41	1	124790-59010	PIPE (A) ASSY, FUEL				1	1			
42	2	101304-59020	JOINT 12, PIPE	2	2						
43	2	124223-59850	JOINT, PIPE				1	1			
44	2	104264-59020	JOINT 12, PIPE				1	1			
45	2	124460-59050	CLAMP		2	2					
46	1	121370-59030	PIPE (B) ASSY, FUEL	1	1						
47	1	124790-59030	PIPE (B) ASSY, FUEL					1	1		
48	2	101304-59020	JOINT 12, PIPE	1	1						
49	2	105582-59020	JOINT, PIPE	1	1						
50	2	120445-59220	JOINT, PIPE					1	1		
51	2	104264-59030	JOINT 8, PIPE					1	1		
52	2	124460-59050	CLAMP	2	2						
53	1	124790-59040	PIPE ASSY, FUEL					1	1		
54	2	104264-59030	JOINT 8, PIPE					1	1		1
55	2	124460-59050	CLAMP					3	3		
56	1	124770-59160	RETAINER (A)	1	1						
57	1	103854-59200	BOLT, PIPE JOINT	1	1	1	1				
58	1	111154-51900	PLUG	1	1	1	1				
59	1	43400-500390	SEAL WASHER 6S	1	1	1	1				
60	1	23414-120000	GASKET 12, ROUND	2	2	2	2				
61	1	23857-060000	JOINT BOLT 6	2	2						
62	1	23857-120000	JOINT BOLT 12				1	1			
63	1	23857-100000	JOINT BOLT 10					1	1		
64	1	23414-120000	GASKET 12, ROUND		4	4					
65	1	23414-180000	GASKET 18, ROUND					2	2		
66	1	23414-160000	GASKET 16, ROUND					2	2		
67	1	105582-59150	BOLT, PIPE JOINT	1	1	1	1				
68	1	124772-59650	UNION	1	1	1	1				
69	1	124772-59660	JOINT	1	1	1	1				
70	1	124772-59670	CAP NUT	1	1	1	1				
71	1	23414-080000	GASKET 8, ROUND	3	3	3	3				
72	1	105582-52010	PUMP ASSY, FUEL FEED	1	1	1	1				
73	1	124223-01850	GASKET, FEED PUMP	1	1	1	1				
74	1	26117-060209	BOLT M 6X 20 PLATED	2	2	2	2				
75	1	22212-060000	SPRING WASHER 6	2	2	2	2				
75-1	1	22217-060000	SPRING WASHER 6	2	2	2	2				N
		(A=EXXX)	(B=EXXX)	(C=EXXX)	(D=EXXX)						
76	1	124772-59500	PIPE ASSY, FUEL	1							
77	1	121370-59500	PIPE, FUEL RETURN		1						
78	1	124790-59501	PIPE, FUEL RETURN				1				
79	1	121390-59501	PIPE, FUEL RETURN						1		
80	1	101147-59810	BOLT 8, PIPE JOINT	3	3	2	3				
81	1	23414-080000	GASKET 8, ROUND	6	6	4	6				
82	1	124770-59600	RETAINER, PIPE	1	1						
83	1	124770-59610	RETAINER, PIPE	1	1						
84	1	26117-060109	BOLT M 6X 10 PLATED	3	3						

N:Old  $\begin{matrix} \text{Yes} \\ \text{No} \end{matrix}$  New, Q:Old  $\begin{matrix} \text{No} \\ \text{Yes} \end{matrix}$  New, R:Old  $\begin{matrix} \text{Yes} \\ \text{No} \end{matrix}$  New, S:Old  $\begin{matrix} \text{No} \\ \text{Yes} \end{matrix}$  New, W:Add, Z:Discontinued, F:Interchangeable by set, K:Q'ty Change  
++ CONTINUE ++

Fig.15. FUEL SYSTEM



OCR10-G09109 15. FUEL SYSTEM

(A)=2QM20  
(B)=3QM30  
(C)=2QM

(D)=3QM  
(E)=  
(F)=

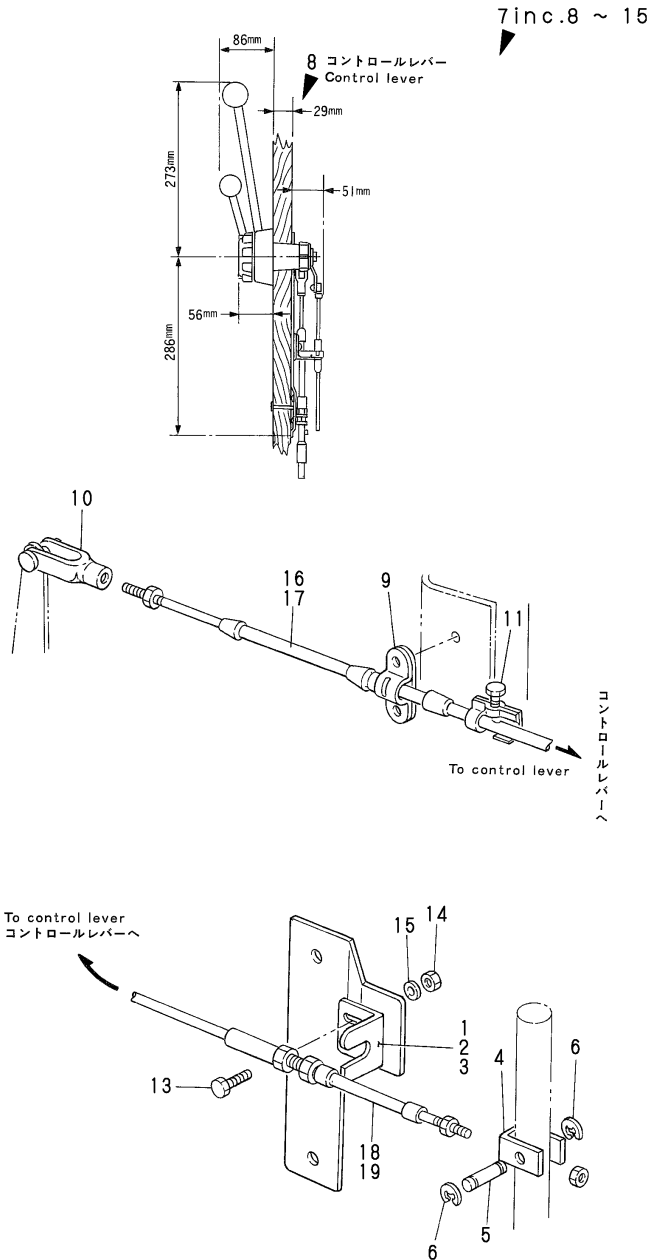
REF.	LEV.	PARTS NO.	DESCRIPTION	Q'TY						I	R
				(A)	(B)	(C)	(D)	(E)	(F)		
85	1	121400-39240	RETAINER	1	1						
86	1	124223-59400	JOINT			1	1				
87	1	83213-003012	TANK (30L), FUEL	1	1	1					
88	1	83211-004013	TANK (40L), FUEL				1				

Remarks

(1)NOT ILLUSTRATED.

N:Old  $\begin{matrix} \leftarrow \text{Yes} \\ \text{No} \end{matrix}$  New, Q:Old  $\begin{matrix} \leftarrow \text{No} \\ \text{Yes} \end{matrix}$  New, R:Old  $\begin{matrix} \leftarrow \text{Yes} \\ \text{Yes} \end{matrix}$  New, S:Old  $\begin{matrix} \leftarrow \text{No} \\ \text{No} \end{matrix}$  New, W:Add, Z:Discontinued, F:Interchangeable by set, K:Q'ty Change

Fig.16. REMOTE-CONTROL DEVICE(OPTIONAL)



OCR10-G09109 16. REMOTE-CONTROL DEVICE(OPTIONAL)

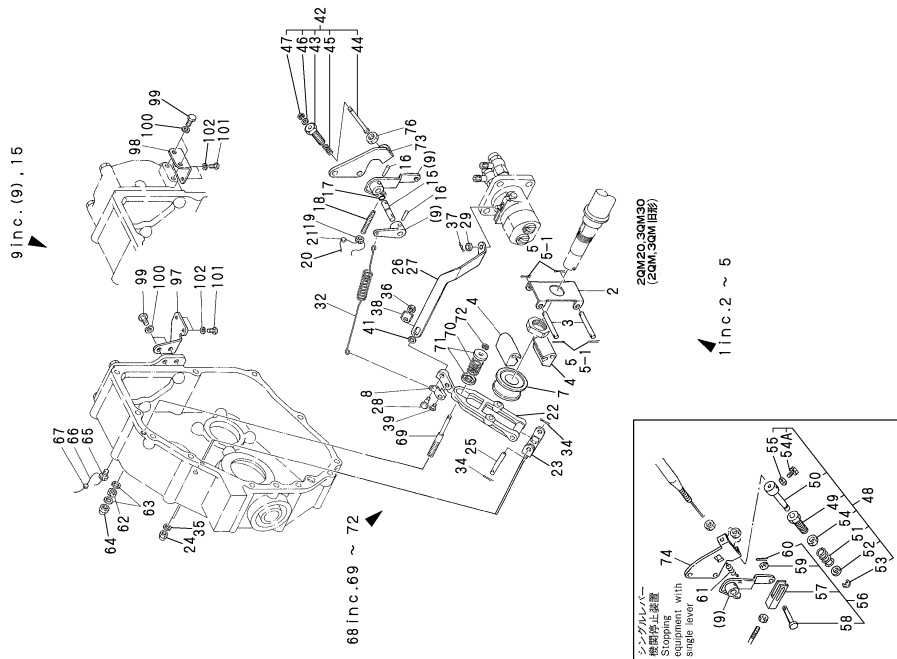
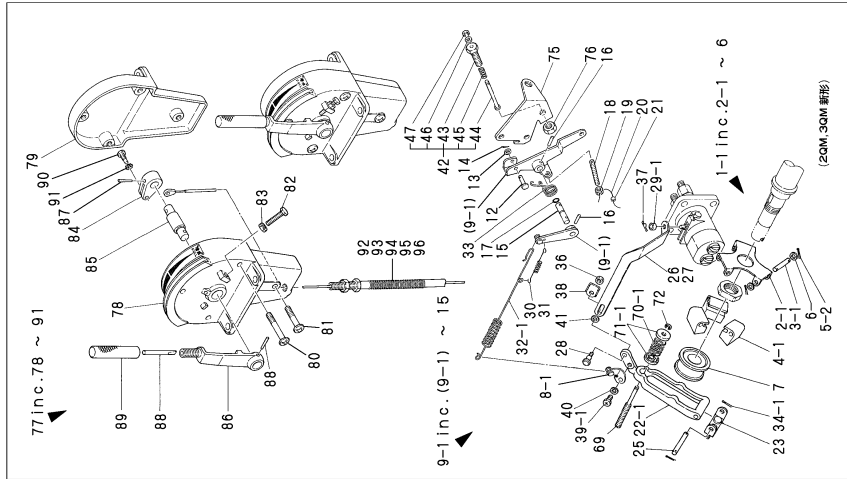
(A)=2QM20  
(B)=3QM30  
(C)=2QM

(D)=3QM  
(E)=  
(F)=

REF.	LEV.	PARTS NO.	DESCRIPTION	Q'TY						I	R
				(A)	(B)	(C)	(D)	(E)	(F)		
1	1	124772-86100	BRACKET, REMOTE-CONT	1							
2	1	121370-86101	BRACKET, REMOTE-CONT		1						
3	1	124790-86100	BRACKET, REMOTE-CONT			1	1				
4	1	104214-86030	CONNECTOR	1		1	1				
5	1	41710-000860	PIN	1		1	1				
6	1	22272-000070	CIRCLIP E- 7	1		1	1				
7	1	704211-67600	REMOTE-CONTROL SET	1	1	1	1				
8	2	41710-500130	LEVER	1	1	1	1				
9	2	41710-000410	CLAMP	1	1	1	1				
10	2	41710-000400	CLEVIS	1	1	1	1				
11	2	41710-500140	BRAKE	1	1	1	1				
12	2	41710-500160	NUT	1	1	1	1				1
13	2	26117-060169	BOLT M 6X 16 PLATED	2	2	2	2				
14	2	26716-060002	NUT 6	2	2	2	2				
15	2	22212-060000	SPRING WASHER 6	2	2	2	2				
15-1	2	22217-060000	SPRING WASHER 6	2	2	2	2				N
		(A=E)XXX (B=E)XXX (C=E)XXX (D=E)XXX									
16	1	41710-500090	CABLE,REMO-CON	1	1	1	1				
17	1	41710-000380	CABLE L=4000	1	1	1	1				
18	1	41710-500100	CABLE,REMO-CON	1	1	1	1				
19	1	41710-500110	CABLE,REMO-CON	1	1	1	1				
20	1	124772-67110	BRACKET, CABLE	1	1	1	1				1
21	1	121370-67100	BRACKET, CABLE	1	1	1	1				1

Remarks  
(1)NOT ILLUSTRATED.

Fig.17. GOVERNOR

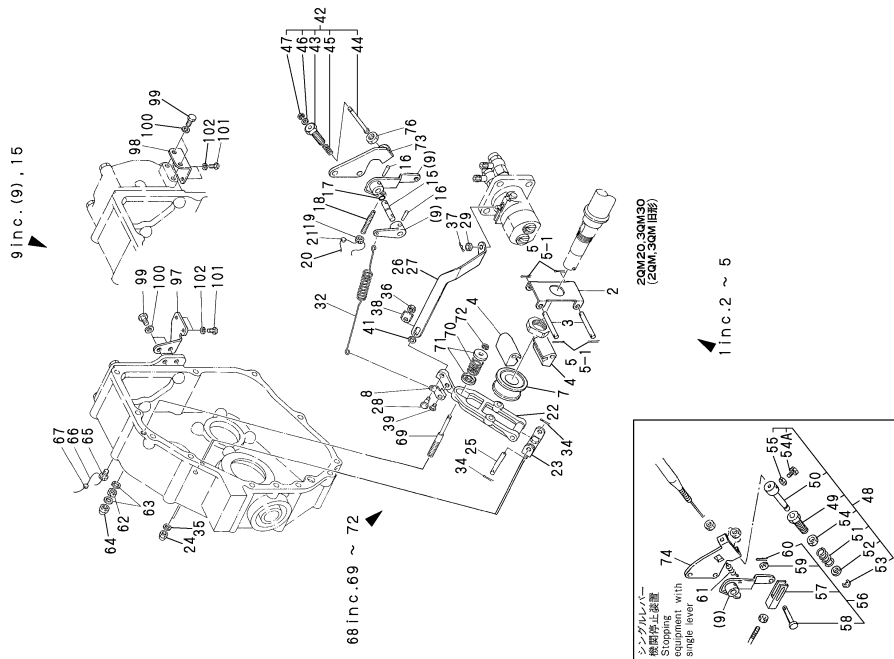
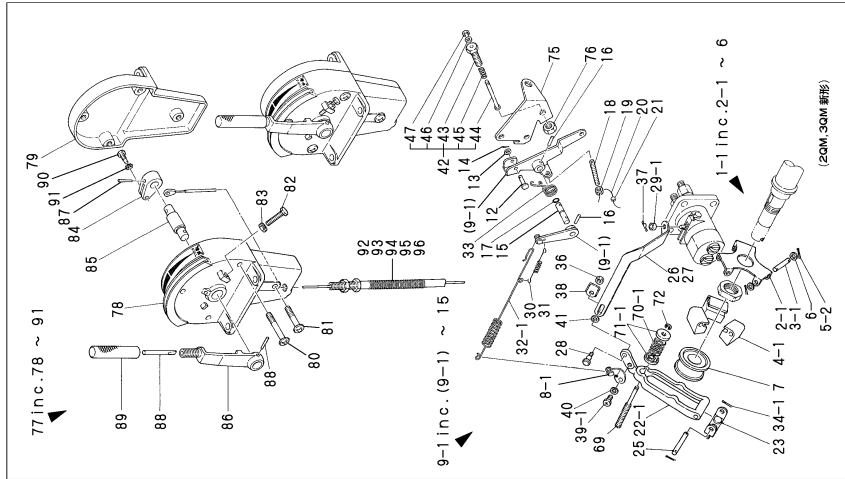


Remarks  
 (1)A PART ADDED AND/OR CHANGED DUE TO CHANGE OF GOVERNOR FROM THE 2-POINT TYPE TO THE 3-POINT TYPE FROM JULY, 1976. CHANGED FROM E/#80394 FOR 2QM AND E/#80346 FOR 3QM.

(A)=2QM20  
 (B)=3QM30  
 (C)=2QM  
 (D)=3QM  
 (E)=  
 (F)=

REF.	LEV.	PARTS NO.	DESCRIPTION	(A)	(B)	(C)	QTY (D)	(E)	(F)	I	R
1	1	724770-61520	SUPPORT ASSY, GOV.	1	1	1	1				
1-1	1	724790-61520	SUPPORT ASSY, GOV. (C=E/#80394) (D=E/#80346)			1	1			S	1
2	2	124770-61110	SUPPORT, GOVERNOR	1	1	1	1				
2-1	2	124790-61110	SUPPORT, GOV. WEIGHT (C=E/#80394) (D=E/#80346)			1	1			S	1
3	2	124450-61220	PIN, GOVERNOR WEIGHT	2	2	2	2				
3-1	2	124790-61220	PIN, GOVERNOR WEIGHT (C=E/#80394) (D=E/#80346)			3	3			S	1
4	2	124450-61200	WEIGHT, GOVERNOR	2	2	2	2				
4-1	2	124790-61200	WEIGHT, GOVERNOR (C=E/#80394) (D=E/#80346)			3	3			S	1
5	2	22411-200200	PIN 2.0* 20	4	4	4	4				
5-1	2	22417-200200	COTTER PIN 2.0X20 (A=E/XXX) (B=E/XXX)	4	4						N
5-2	2	22411-200200	PIN 2.0* 20 (C=E/#80394) (D=E/#80346)			6	6			K	1
5-3	2	22417-200200	COTTER PIN 2.0X20 (C=E/XXX) (D=E/XXX)			6	6				N
6	2	22117-060000	WASHER 6 (C=E/#80394) (D=E/#80346)			6	6			W	1
7	1	124550-61600	SLEEVE, GOVERNOR	1	1	1	1				
8	1	124450-66460	BRACKET, SPRING	1	1	1	1				
8-1	1	124790-66460	BRACKET, SPRING (C=E/#80394) (D=E/#80346)			1	1			S	1
9	1	724770-66530	HANDLE ASSY, REGULAT	1	1	1	1				
9-1	1	724790-66530	HANDLE ASSY, REGLAT (C=E/XXX) (D=E/XXX)			1	1				R
12	2	124790-66950	PIN (C=E/#80394) (D=E/#80346)			1	1			W	1
13	2	22113-040000	WASHER 4 (C=E/#80394) (D=E/#80346)			1	1			W	1
14	2	22414-160100	COTTER PIN 1.6X10 (C=E/#80394) (D=E/#80346)			1	1			W	1
15	2	124450-66040	SHAFT, REGULATOR	1	1	1	1				
16	1	22322-030180	TAPER PIN 3X18	2	2	2	2				
17	1	24311-000070	O-RING 1A P-7.0	1	1	1	1				
18	1	103854-66420	SCREW, ADJUST	1	1	1	1				
18-1	1	124550-66420	SCREW, ADJUST (A=E/XXX) (C=E/XXX)	1	1	1	1				N
19	1	124550-66370	LOCK NUT M 6	1	1	1	1				
20	1	22451-100000	WIRE 1.0	1	1	1	1				
21	1	135210-61090	LEAD	1	1	1	1				
22	1	124460-66611	LEVER ASSY, GOV.	1	1	1	1				
22-1	1	124790-66600	LEVER, GOVERNOR (C=E/#80394) (D=E/#80346)			1	1			S	1
23	1	124770-66510	SUPPORT, GOVERNOR	1	1	1	1				
24	1	124450-66520	CAP NUT	1	1	1	1				
25	1	124450-66550	PIN, GOV. LEVER	1	1	1	1				
26	1	124465-66400	LINK, GOVERNOR	1	1	1	1				
27	1	121250-66400	LINK, GOVERNOR			1	1				

Fig.17. GOVERNOR

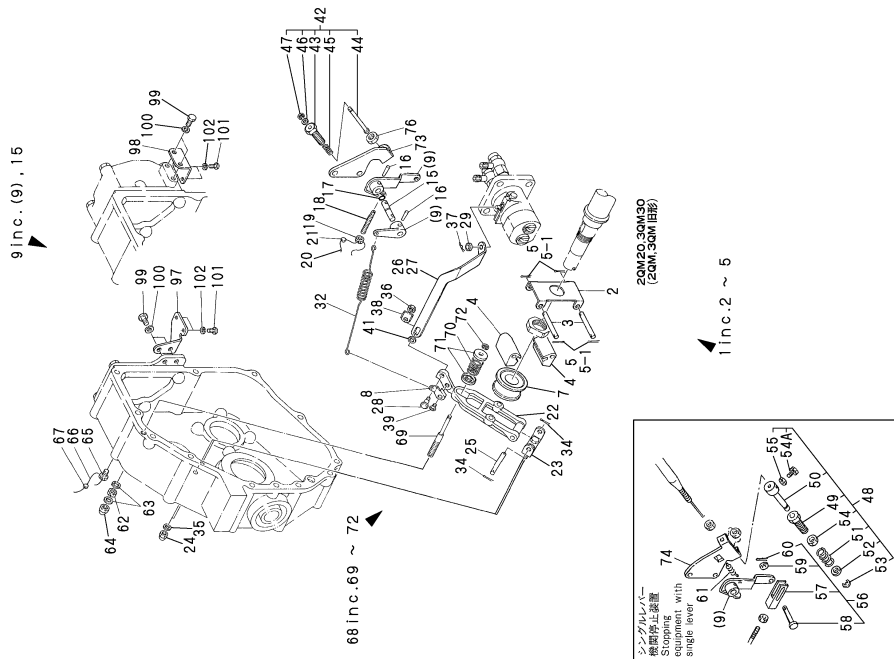
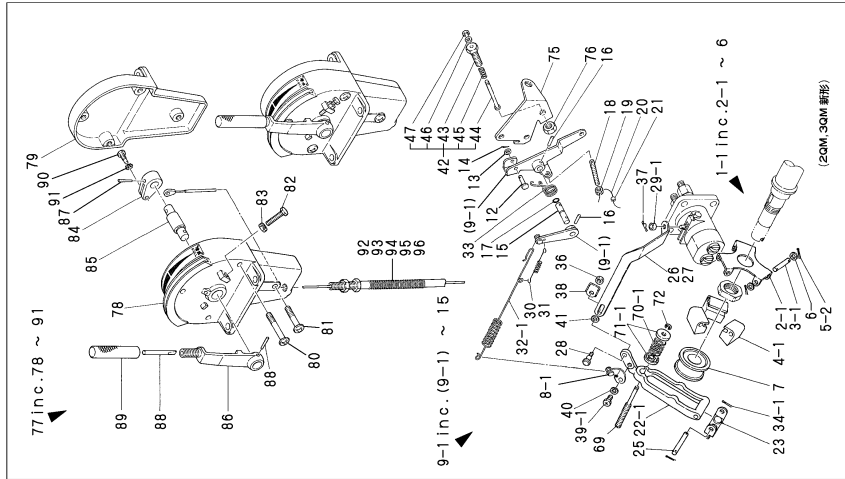


Remarks  
 (1)A PART ADDED AND/OR CHANGED DUE TO CHANGE OF GOVERNOR FROM THE 2-POINT TYPE TO THE 3-POINT TYPE FROM JULY, 1976. CHANGED FROM E/#80394 FOR 2QM AND E/#80346 FOR 3QM.

(A)=2QM20  
 (B)=3QM30  
 (C)=2QM  
 (D)=3QM  
 (E)=  
 (F)=

REF.	LEV.	PARTS NO.	DESCRIPTION	QTY						I	R
				(A)	(B)	(C)	(D)	(E)	(F)		
28	1	124450-66411	SCREW	1	1	1	1				
29	1	124450-66420	CLAMP	1	1	1	1				
29-1	1	124790-66420	SPACER			1	1				S
29-2	1	124450-66420	CLAMP (C=E/#80236) (D=E/#80226) (C=E/#80394) (D=E/#80346)			1	1				S 1
30	1	124790-66150	SPRING, IDLE (C=E/#80236)			1					W
30-1	1	124790-66200	SPRING, IDLE (C=E/#80394)			1					S 1
30-2	1	124790-66201	SPRING, IDLE (C=*1976.11)			1					N
31	1	121390-66150	SPRING, IDLE (D=E/#80226)				1				W
31-1	1	124790-66200	SPRING, IDLE (D=E/#80346)				1				S
31-2	1	124790-66201	SPRING, IDLE (D=*1976.11)				1				N
32	1	124772-66010	SPRING, REGULATOR	1	1	1	1				
32-1	1	124790-66010	SPRING, REGULATOR (C=E/#80394) (D=E/#80346)			1	1				S 1
33	1	124790-66081	SPRING, RETURN (C=E/#80236) (D=E/#80226)			1	1				W
34	1	22411-200200	PIN 2.0* 20	2	2	2	2				
34-1	1	22417-200200	COTTER PIN 2.0X20 (A=E-XXXX) (B=E-XXXX) (C=E-XXXX) (D=E-XXXX)	2	2	2	2				N
35	1	23414-060000	GASKET 6, ROUND	2	2	2	2				
36	1	26756-050002	LOCK NUT M 5 PLATED	1	1	1	1				
37	1	22360-060000	SNAP PIN 6	1	1	1	1				
38	1	124460-66400	WASHER	1	1	1	1				
39	1	26557-060082	SCREW M 6X 8	1	1	1	1				
39-1	1	26117-060129	BOLT M 6X 12 PLATED (C=E-XXXX) (D=E-XXXX)			1	1				N
40	1	22212-060000	SPRING WASHER 6			1	1				
40-1	1	22217-060000	SPRING WASHER 6 (C=E-XXXX) (D=E-XXXX)			1	1				N
41	1	124450-66430	SPACER	1	1	1	1				
42	1	124770-66700	ADJUSTER ASSY	1	1	1	1				
43	2	124770-66711	BODY, IDLE ADJUSTOR	1	1	1	1				
44	2	124770-66731	PIN, IDLE ADJUSTOR	1	1	1	1				
45	2	124770-66720	SPRING, ADJUSTOR	1	1	1	1				
46	2	22137-050000	WASHER 5, POLISHED	1	1	1	1				
47	2	22272-000040	CIRCLIP E- 4	1	1	1	1				
48	1	124772-66700	ADJUSTER ASSY	1	1						
49	2	124772-66710	BODY, IDLE ADJUSTOR	1	1						
50	2	124772-66730	PIN, IDLE ADJUSTOR	1	1						
51	2	124772-66720	SPRING, ADJUSTOR	1	1						
52	2	124772-66760	WASHER	1	1						
53	2	22272-000040	CIRCLIP E- 4	1	1						
54	2	124772-66750	LOCK NUT M12	1	1						
54A	2	26113-050128	BOLT M 5X 12	1	1						

Fig.17. GOVERNOR

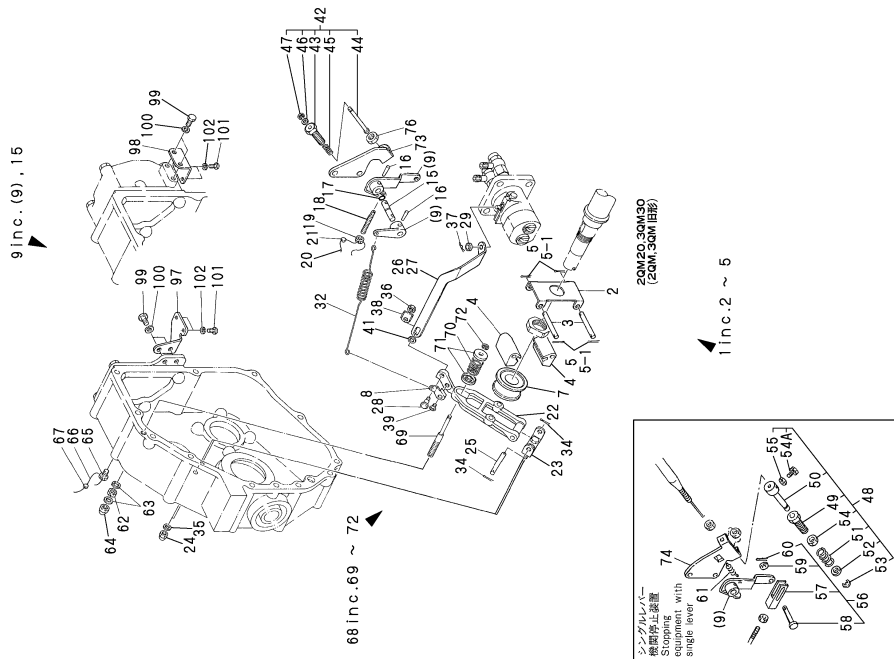
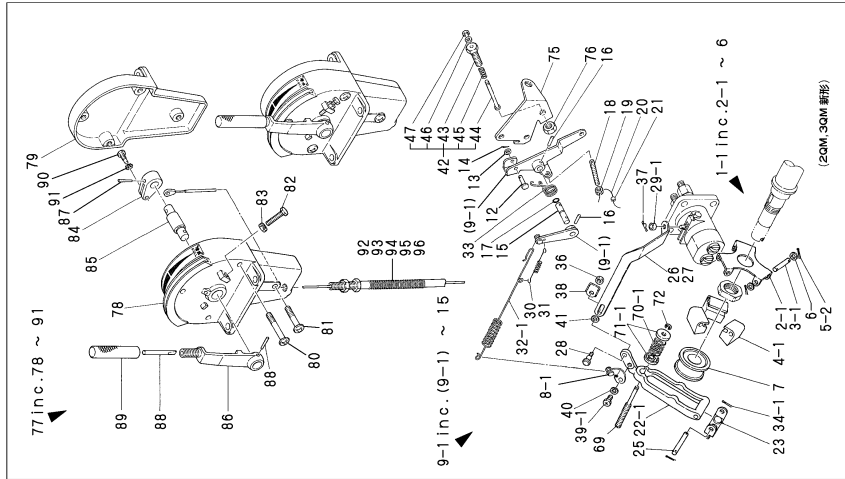


Remarks  
 (1)A PART ADDED AND/OR CHANGED DUE TO CHANGE OF GOVERNOR FROM THE 2-POINT TYPE TO THE 3-POINT TYPE FROM JULY, 1976. CHANGED FROM E/#80394 FOR 2QM AND E/#80346 FOR 3QM.

(A)=2QM20  
 (B)=3QM30  
 (C)=2QM  
 (D)=3QM  
 (E)=  
 (F)=

REF.	LEV.	PARTS NO.	DESCRIPTION	QTY						I	R
				(A)	(B)	(C)	(D)	(E)	(F)		
55	2	26753-050002	NUT M 5	1	1						
56	1	124772-66200	JOINT ASSY	1	1						
57	2	124772-66210	CLEVIS	1	1						
58	2	124772-66220	PIN	1	1						
59	2	22113-050000	WASHER 5	1	1						
60	2	22414-160100	COTTER PIN 1.6X10	1	1						
61	1	124772-66090	SPRING, RETURN	1	1						
62	1	124772-66890	LOCK NUT	1	1	1	1				
63	1	23414-080000	GASKET 8, ROUND	2	2	2	2				
64	1	26667-080002	CAP NUT M 8	1	1	1	1				
65	1	26116-060086	BOLT M 6X 8 PLATED	1	1	1	1				W
		(A=E/#82023) (B=E/#80111) (C=E/#80266) (D=E/#80226)									
66	1	22451-100000	WIRE 1.0	1	1	1	1				W
		(A=E/#82023) (B=E/#80111) (C=E/#80256) (D=E/#80226)									
67	1	135210-61090	LEAD	1	1	1	1				W
		(A=E/#82023) (B=E/#80111) (C=E/#80256) (D=E/#80226)									
68	1	124772-66800	CONTROLLER ASSY	1	1	1	1				
69	2	124772-66810	SHAFT, CONTROL	1	1	1	1				
70	2	124772-66820	SPRING, CONTROLLER	1	1	1	1				
70-1	2	124772-66830	RETAINER	2	2	2	2				S
		(A=E/XXX) (B=E/XXX) (C=E/XXX) (D=E/XXX)									
71	2	124772-66830	RETAINER	1	1	1	1				
71-1	2	124772-66840	RETAINER	1	1	1	1				W
		(A=*1976.07) (B=*1976.07) (C=*1976.07) (D=*1976.07)									
72	2	22272-000040	CIRCLIP E- 4	1	1	1	1				
73	1	124770-66740	BRACKET, ADJUSTER	1	1						
74	1	124772-66740	BRACKET, ADJUSTER	1	1						
75	1	124790-66740	BRACKET, ADJUSTER			1	1				
76	1	26757-100002	LOCK NUT 10	1	1	1	1				
76-1	1	26756-100002	LOCK NUT M10 PLATED	1	1	1	1				N
		(A=E/XXX) (B=E/XXX) (C=E/XXX) (D=E/XXX)									
77	1	81701-000101	HANDLE ASSY,REMO-CON			1	1				
78	2	41701-000201	BRACKET			1	1				
79	2	41701-000221	COVER, HANDLE MOUNT			1	1				
80	2	26584-080552	SCREW M 8X 55			3	3				
81	2	26584-080452	SCREW M 8X 45			1	1				
82	2	125310-67280	BOLT			1	1				
83	2	125310-67290	LOCK NUT			1	1				
84	2	41701-000241	LEVER			1	1				
85	2	41701-000260	SHAFT			1	1				
86	2	41701-000281	HANDLE			1	1				
87	2	22322-040300	TAPER PIN 4X30			2	2				
88	2	125310-67270	RETAINER, HANDLE			1	1				
89	2	125310-67260	GRIP, HANDLE			1	1				
90	2	41701-000361	PIN			1	1				
91	2	41701-001240	WASHER			1	1				
92	1	41701-000430	CABLE,REMO-CON.			1	1				2
93	1	41701-000440	CABLE,REMO-CON.			1	1				2
94	1	41701-000450	CABLE,REMO-CON.			1	1				2
95	1	41701-000460	CABLE,REMO-CON.			1	1				2
96	1	41701-000470	CABLE,REMO-CON.			1	1				2

Fig.17. GOVERNOR



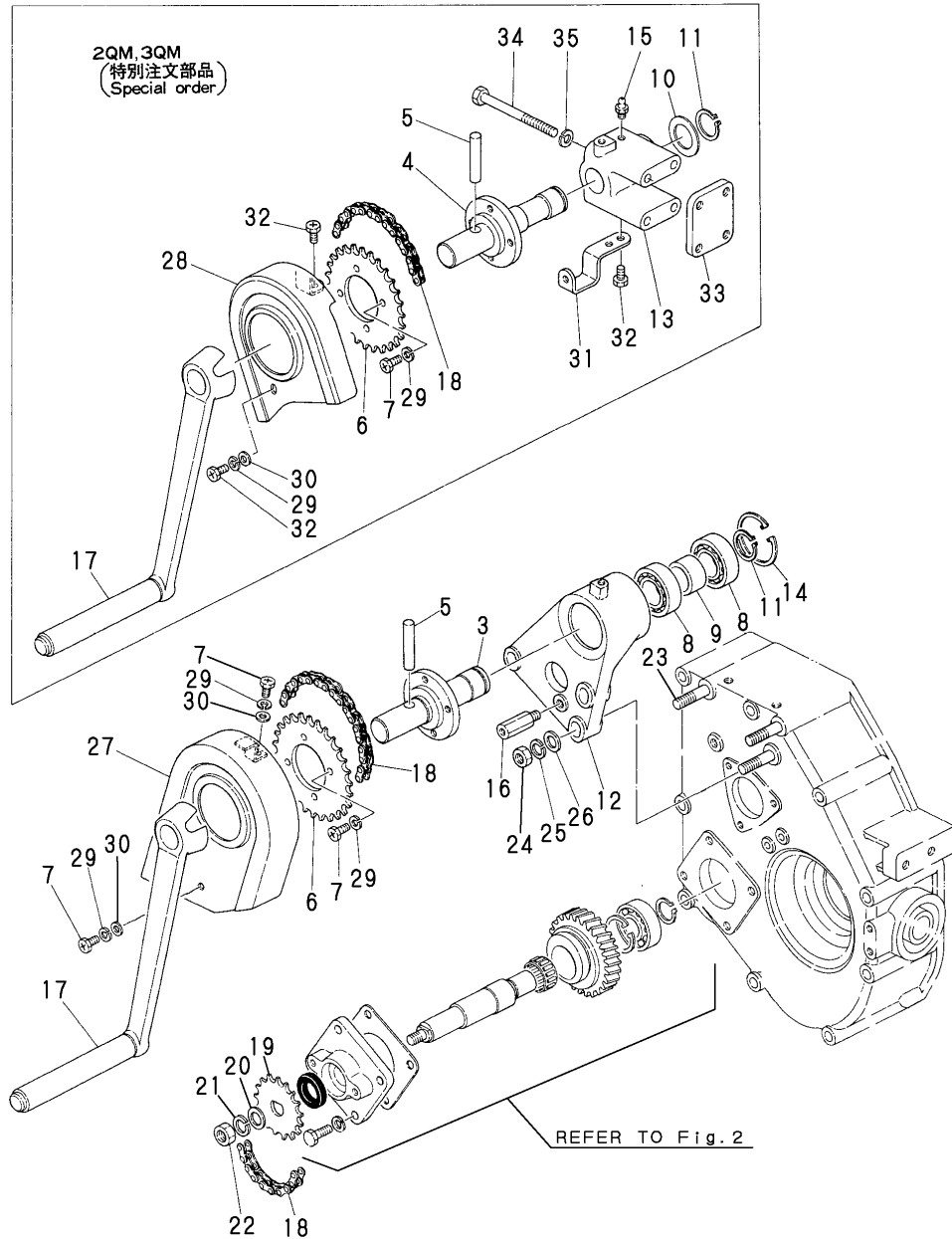
Remarks  
 (1)A PART ADDED AND/OR CHANGED DUE TO CHANGE OF GOVERNOR FROM THE 2-POINT TYPE TO THE 3-POINT TYPE FROM JULY, 1976. CHANGED FROM E/#80394 FOR 2QM AND E/#80346 FOR 3QM.

(A)=2QM20  
 (B)=3QM30  
 (C)=2QM  
 (D)=3QM  
 (E)=  
 (F)=

REF.	LEV.	PARTS NO.	DESCRIPTION	QTY						I	R
				(A)	(B)	(C)	(D)	(E)	(F)		
97	1	124772-67110	BRACKET, CABLE	1	1	1	1				
98	1	121370-67100	BRACKET, CABLE	1	1	1	1				
99	1	26117-060129	BOLT M 6X 12 PLATED	2	2	2	2				
100	1	22212-060000	SPRING WASHER 6	2	2	2	2				
100-1	1	22217-060000	SPRING WASHER 6	2	2	2	2				N
		(A=E XXX) (B=E XXX) (C=E XXX) (D=E XXX)									
101	1	26557-050102	SCREW M 5X 10	2	2	2	2				
102	1	22212-050000	SPRING WASHER 5	2	2	2	2				
102-1	1	22217-050000	SPRING WASHER 5	2	2	2	2				N
		(A=E XXX) (B=E XXX) (C=E XXX) (D=E XXX)									

Fig.18. HAND STARTING MECHANISM

1 inc.3 ~ 30  
2 inc.4 ~ 35



(A)=2QM20  
(B)=3QM30  
(C)=2QM

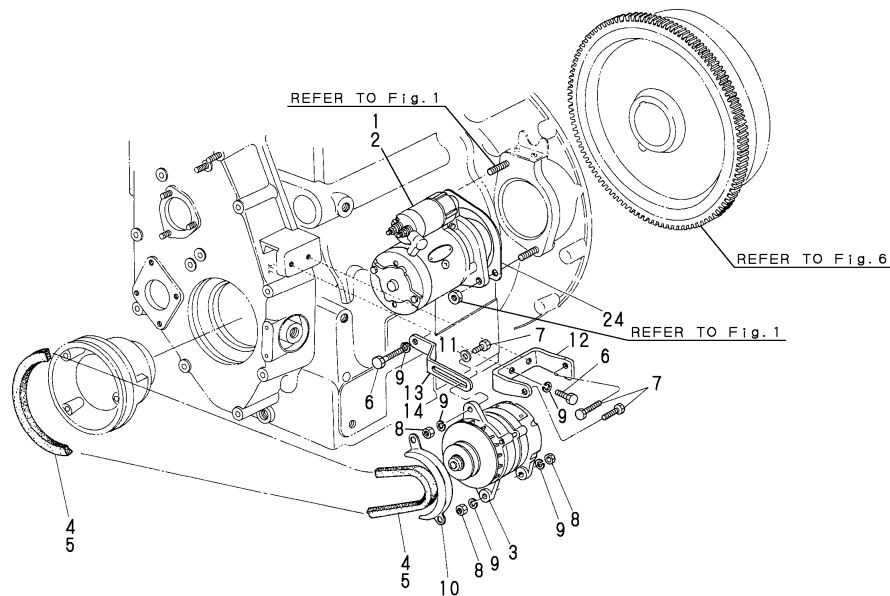
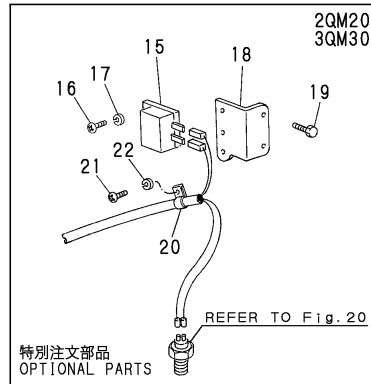
(D)=3QM  
(E)=  
(F)=

REF.	LEV.	PARTS NO.	DESCRIPTION	QTY						I	R
				(A)	(B)	(C)	(D)	(E)	(F)		
1	1	724770-76110	CHAIN ASSY, STARTING	1	1						
2	1	724790-76110	CHAIN ASSY, STARTING			1	1				
3	2	124770-76200	SHAFT, STARTING	1	1						
4	2	124790-76200	SHAFT, STARTING			1	1				
5	2	22312-100500	PIN 10X50, STRAIGHT	1	1	1	1				
6	2	124770-76010	SPROCKET (A)	1	1	1	1				
7	2	26117-060129	BOLT M 6X 12 PLATED	6	6	4	4				
8	2	24104-062054	BALL BEARING	2	2						
9	2	124770-76280	SPACER	1	1						
10	2	124790-76250	SPACER			1	1				
11	2	22242-000250	CIRCLIP 25S	1	1	1	1				
12	2	124770-76300	BRACKET	1	1	1	1				
13	2	124790-76300	BRACKET			1	1				
14	2	22252-000520	CIRCLIP 52	1	1						
15	2	24764-010000	NIPPLE M6F, GREASE			1	1				
16	2	124770-76180	BOLT, CHAIN COVER	1	1						
17	2	125110-76800	HANDLE, STARTING	1	1	1	1				
18	2	25210-430670	CHAIN 43X67	1	1	1	1				
19	2	124770-76100	SPROCKET	1	1	1	1				
20	2	22137-100000	WASHER 10, POLISHED	1	1	1	1				
21	2	22212-100000	WASHER, 10	1	1	1	1				
21-1	2	22217-100000	SPRING WASHER 10	1	1	1	1				N
		(A=EXXX) (B=EXXX) (C=EXXX) (D=EXXX)									
22	2	26736-100002	NUT M10	1	1	1	1				
23	2	26226-100382	STUD M10X 38 PLATED	3	3						
24	2	26716-100002	NUT 10	3	3						
25	2	22212-100000	WASHER, 10	3	3						
25-1	2	22217-100000	SPRING WASHER 10	3	3						N
		(A=EXXX) (B=EXXX)									
26	2	22137-100000	WASHER 10, POLISHED	3	3						
27	2	124770-76170	COVER, CHAIN	1	1						
28	2	124790-76170	COVER, CHAIN			1	1				
29	2	22212-060000	SPRING WASHER 6	6	6	5	5				
29-1	2	22217-060000	SPRING WASHER 6	6	6	5	5				N
		(A=EXXX) (B=EXXX) (C=EXXX) (D=EXXX)									
30	2	22137-060000	WASHER 6, POLISHED	2	2	1	1				
31	2	124790-76190	BRACKET			1	1				
32	2	26117-060129	BOLT M 6X 12 PLATED			4	4				
33	2	124790-76310	RETAINER			1	1				
34	2	26116-080902	BOLT M 8X 90 PLATED			4	4				
35	2	22212-080000	SPRING WASHER 8			4	4				
35-1	2	22217-080000	SPRING WASHER 8			4	4				N
		(C=EXXX) (D=EXXX)									



# Fig.19. STARTING MOTOR & GENERATOR

P/C NEWS No:Y00R0919-1  
PUBLISHED:2005/9



## OCR10-G09109 19. STARTING MOTOR & GENERATOR

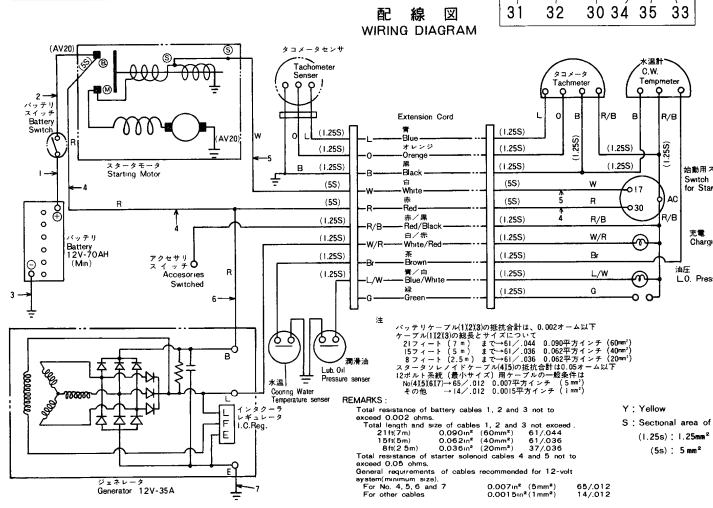
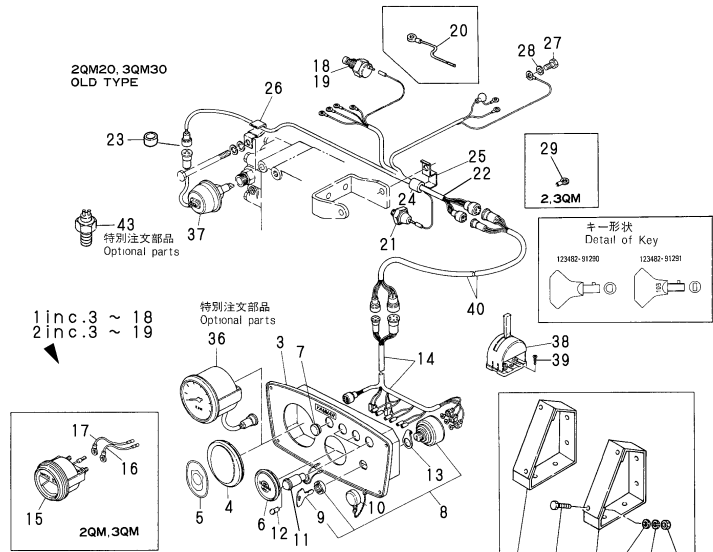
(A)=2QM20  
(B)=3QM30  
(C)=2QM

(D)=3QM  
(E)=  
(F)=

REF.	LEV.	PARTS NO.	DESCRIPTION	QTY						I	R
				(A)	(B)	(C)	(D)	(E)	(F)		
1	1	124770-77010	STARTER	1							
2	1	121370-77010	STARTER (S12-47)		1						
3	1	121370-77200	GENERATOR	1	1	1	1				
4	1	124772-42780	V-BELT (A-32)	1	1	1	1				
4-1	1	124772-77350	V-BELT (A-32)	1	1	1	1				N
		(A=EXXX) (B=EXXX) (C=EXXX) (D=EXXX)									
5	1	124240-42291	V-BELT (A-37)				1	1			
6	1	26116-080222	BOLT M 8X 22 PLATED	3	3	2	2				
7	1	26116-080302	BOLT 8X30	3	3	3	3				
8	1	26716-080002	NUT M 8	3	3	3	3				
9	1	22212-080000	SPRING WASHER 8	6	6	5	5				
9-1	1	22217-080000	SPRING WASHER 8	6	6	5	5				N
		(A=EXXX) (B=EXXX) (C=EXXX) (D=EXXX)									
10	1	121250-77210	COVER, GENERATOR	1	1	1	1				
11	1	22137-080000	WASHER 8, POLISHED	1	1	1	1				
12	1	124770-77250	BRACKET, GENERATOR	1	1	1	1				
13	1	124770-77330	ADJUSTER, BELT	1	1						
14	1	124790-77330	ADJUSTER, BELT			1	1				
15	1	124070-77800	BOX, FUSE	1	1						W
		(A=E/#85658) (B=E/#81661)									
15-1	1	124070-77801	BOX, FUSE (304)	1	1						N
		(A=E/#87587) (B=E/#83271)									
16	1	26557-050162	SCREW M 5X 16	2	2						W
		(A=E/#85658) (B=E/#81661)									
17	1	22212-050000	SPRING WASHER 5	2	2						W
		(A=E/#85658) (B=E/#81661)									
18	1	124772-77810	BRACKET, FUSE BOX	1	1						W
		(A=E/#85658) (B=E/#81661)									
19	1	26116-080142	BOLT 8X14	2	2						W
		(A=E/#85658) (B=E/#81661)									
20	1	105584-59870	RETAINER	1	1						W
		(A=E/#85658) (B=E/#81661)									
21	1	26557-050082	SCREW M 5X 8	1	1						W
		(A=E/#85658) (B=E/#81661)									
22	1	22212-060000	SPRING WASHER 6	1	1						W
		(A=E/#85658) (B=E/#81661)									
23	1	46150-003660	FUSE	1	1						W 1
		(A=E/#85658) (B=E/#81661)									
23-1	1	46150-003680	FUSE 30A	1	1						N 1
		(A=E/#87587) (B=E/#83271)									
24	1	124770-77081	GASKET	1	1						

Remarks  
(1) NOT ILLUSTRATED.

Fig.20. INSTRUMENT PANEL



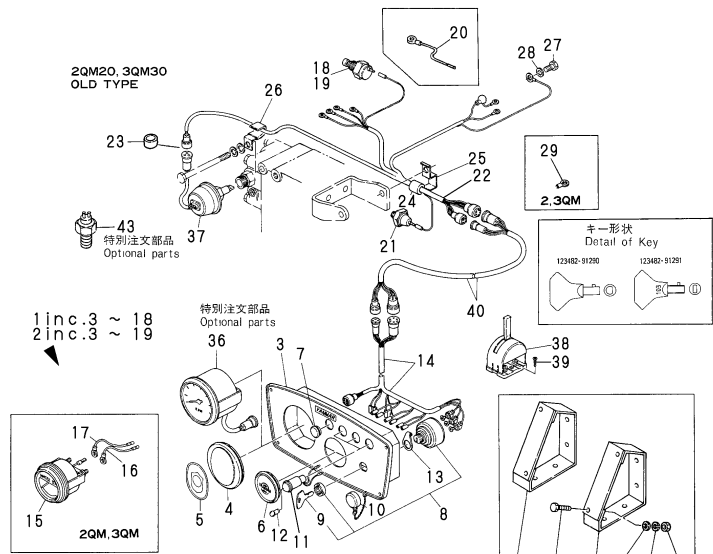
**Remarks**  
 (1)NEW TYPE REFER TO FIG.21.  
 (2)EXCLUSIVE FOR 123482-91250  
 (3)EXCLUSIVE FOR 123482-91251  
 (4)INTERCHANGEABLE BY SIMULTANEOUS REPLACEMENT WITH REF.NO.20.  
 (5)INTERCHANGEABLE BY SIMULTANEOUS REPLACEMENT WITH REF.NO.18-1.  
 (6)INTERCHANGEABLE BY SIMULTANEOUS REPLACEMENT WITH REF.NO.19-1.  
 (7)REFER TO FIG.21 FOR ILLUSTRATED.

(A)=2QM20  
 (B)=3QM30  
 (C)=2QM

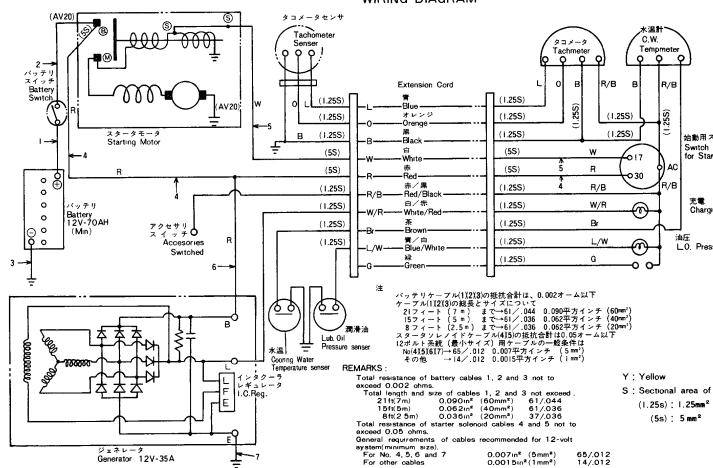
(D)=3QM  
 (E)=  
 (F)=

REF.	LEV.	PARTS NO.	DESCRIPTION	QTY						I	R		
				(A)	(B)	(C)	(D)	(E)	(F)				
1	1	124770-91000 (A=E/#85657) (B=E/#81660)	PANEL ASSY, INSTRUM.	1	1						Z	1	
2	1	124790-91000	PANEL ASSY, INSTRUM.			1	1						
3	2	124770-91010	HOUSING, PANEL	1	1	1	1						
4	2	124770-91200	COVER 80	1	1	1	1						
5	2	101400-55440	LABEL, "YANMAR"	1	1	1	1						
6	2	124770-91220	COVER 52	1	1								
7	2	124770-91230	COVER 16	1	1	1	1						
8	2	124770-91250	SWITCH W/KEY	1	1	1	1						
8-1	2	123482-91250 (A=E/XXX) (B=E/XXX) (C=E/XXX) (D=E/XXX)	SWITCH W/KEY	1	1	1	1					N	
8-2	2	123482-91251 (A=*1978.09) (B=*1978.09) (C=*1978.09) (D=*1978.09)	SWITCH W/KEY	1	1	1	1					N	
9	3	124770-91290	KEY	1	1	1	1						
9-1	3	123482-91290 (A=E/XXX) (B=E/XXX) (C=E/XXX) (D=E/XXX)	KEY, SWITCH	1	1	1	1					S	2
9-2	3	123482-91291 (A=E/XXX) (B=E/XXX) (C=E/XXX) (D=E/XXX)	KEY, SWITCH	1	1	1	1					S	3
10	2	124770-91260	CAP. SWITCH	1	1	1	1						
11	2	124770-91040	LAMP, PILOT	3	3	2	2						
12	3	46150-001110	BULB(12V3W/G11.BA9S)	3	3	2	2						
13	2	124770-91270	CLAMP	1	1	1	1						
14	2	124770-91030	HARNES, WIRE	1	1	1	1						
15	2	124790-91400	THERMOMETER, WATER					1	1				
16	2	124790-91430	WIRE (A)					1	1				
17	2	124790-91440	WIRE (B)						1	1			
18	2	46150-004530	SENDER UNIT, CW	1	1								
18-1	2	123682-91340 (A=E/#86262) (B=E/#82258)	SENDER UNIT, CW	1	1							F	4
19	2	46150-400590	SENDER UNIT, CW					1	1				
19-1	2	144626-91590 (C=E/XXX) (D=E/XXX)	SENDER UNIT, CW					1	1			N	
19-2	2	144626-91570 (C=E/#81931) (D=E/#81847)	SENDER UNIT, CW					1	1			S	
20	1	124790-91440 (A=E/#86262) (B=E/#82258)	WIRE (B)	1	1							W	
21	1	124160-39450	SWITCH, OIL PRESSURE	1	1	1	1						
22	1	121370-77920	HARNES, WIRE	1	1	1	1						
22-1	1	124772-77920 (A=*1978.05) (B=*1978.05)	HARNES, WIRE	1	1							N	
22-2	1	124772-77921 (A=E/#86262) (B=E/#82258)	HARNES, WIRE	1	1							F	5
22-3	1	124790-77920 (C=E/#81931) (D=E/#81847)	HARNES, WIRE					1	1			F	6
23	1	124770-77980	CAP	1	1	1	1						
24	1	124770-77940	PROTECTOR	1	1	1	1						
25	1	124770-77950	CLAMP(A)	1	1	1	1						
26	1	124770-77960	CLAMP (B)	1	1	2	2						
27	1	26117-080129	BOLT M 8X 12	1	1	1	1						
28	1	22137-080000	WASHER 8, POLISHED	1	1	1	1						
29	1	124223-77840	TERMINAL SET			1	1					Z	

# Fig.20. INSTRUMENT PANEL



配線図 WIRING DIAGRAM



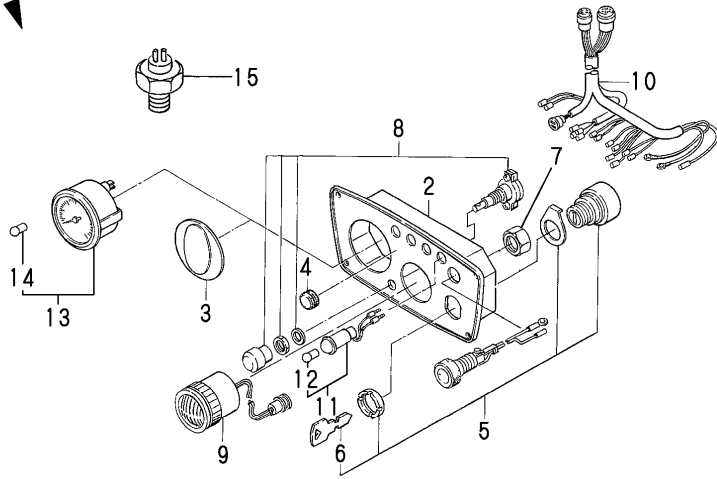
- Remarks
- (1)NEW TYPE REFER TO FIG.21.
  - (2)EXCLUSIVE FOR 123482-91250
  - (3)EXCLUSIVE FOR 123482-91251
  - (4)INTERCHANGEABLE BY SIMULTANEOUS REPLACEMENT WITH REF.NO.20.
  - (5)INTERCHANGEABLE BY SIMULTANEOUS REPLACEMENT WITH REF.NO.18-1.
  - (6)INTERCHANGEABLE BY SIMULTANEOUS REPLACEMENT WITH REF.NO.19-1.
  - (7)REFER TO FIG.21 FOR ILLUSTRATED.

(A)=2QM20  
(B)=3QM30  
(C)=2QM  
(D)=3QM  
(E)=  
(F)=

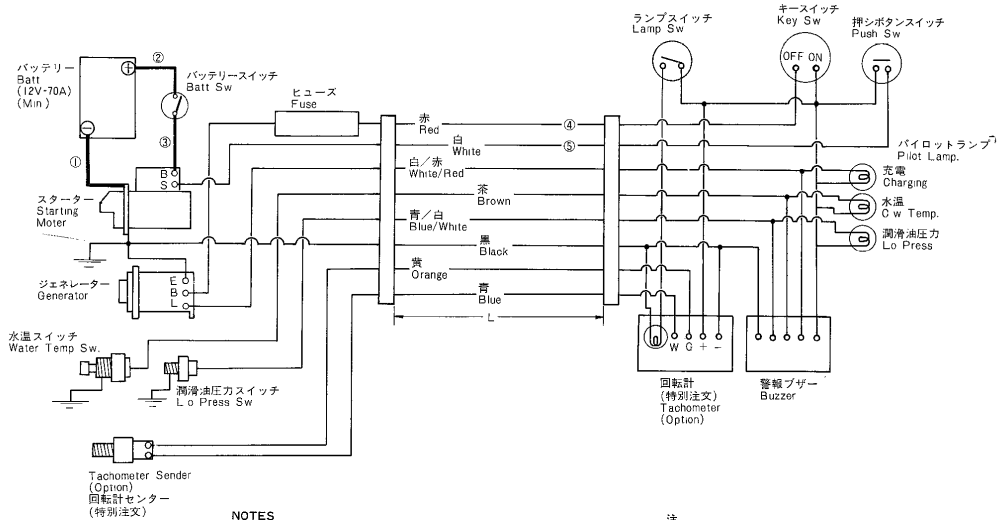
REF.	LEV.	PARTS NO.	DESCRIPTION	QTY						I	R
				(A)	(B)	(C)	(D)	(E)	(F)		
			(C=E/#81931) (D=E/#81847)								
30	1	124790-91710	BRACKET (R)			1	1				
31	1	124790-91720	BRACKET (L)			1	1				
32	1	26113-040259	BOLT M 8X 25			4	4				
33	1	26713-040002	NUT M 4			4	4				
34	1	22113-040000	WASHER 4			4	4				
35	1	22212-040000	SPRING WASHER 4			4	4				
35-1	1	22217-040000	SPRING WASHER 4			4	4				N
			(C=E/XXX) (D=E/XXX)								
36	1	124770-91100	TACHOMETER, ELECTRIC	1	1	1	1				
37	1	124770-91160	TACHOMETER, ELECTRIC	1	1	1	1				
37-1	1	124770-91161	SENCER	1	1	1	1				N
			(A=E/XXX) (B=E/XXX) (C=E/XXX) (D=E/XXX)								
38	1	123310-77640	SWITCH, BATTERY	1	1	1	1				
39	1	22724-800380	SCREW 8X 38	2	2	2	2				
40	1	124770-91500	CORD	1	1	1	1				
41	1	104571-91100	TACHOMETER	1	1						W 7
			(A=*1978.10) (B=*1978.10)								
42	1	46150-001110	BULB(12V3W/G11.BA9S)	1	1						W 7
			(A=*1978.10) (B=*1978.10)								
43	1	124070-91160	SENDER UNIT	1	1						W
			(A=*1978.10) (B=*1978.10)								

Fig.21. INSTRUMENT PANEL

1 inc.2 ~ 12



配線図  
WIRING DIAGRAM



NOTES

Total resistance of battery cables ①, ② and ③ not to exceed 0.002 ohms  
 Guide to total length and size of cables 1, 2 and 3  
 Length up to not exceeding  
 21ft (7m) → 60mm<sup>2</sup>  
 15ft (5m) → 40mm<sup>2</sup>  
 8ft (2.5m) → 20mm<sup>2</sup>  
 (L)=less than 3m No ④ and ⑤ → 5mm<sup>2</sup> other cables → 1mm<sup>2</sup>(min)  
 (L)=less than 6m No ④ and ⑤ → 8mm<sup>2</sup> other cables → 2mm<sup>2</sup>(min)

注

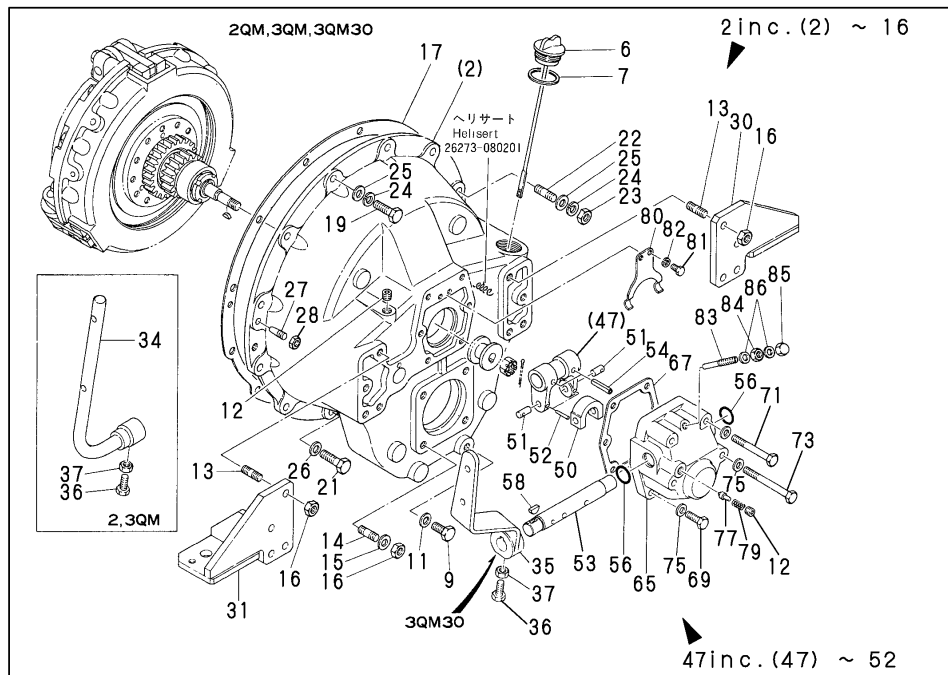
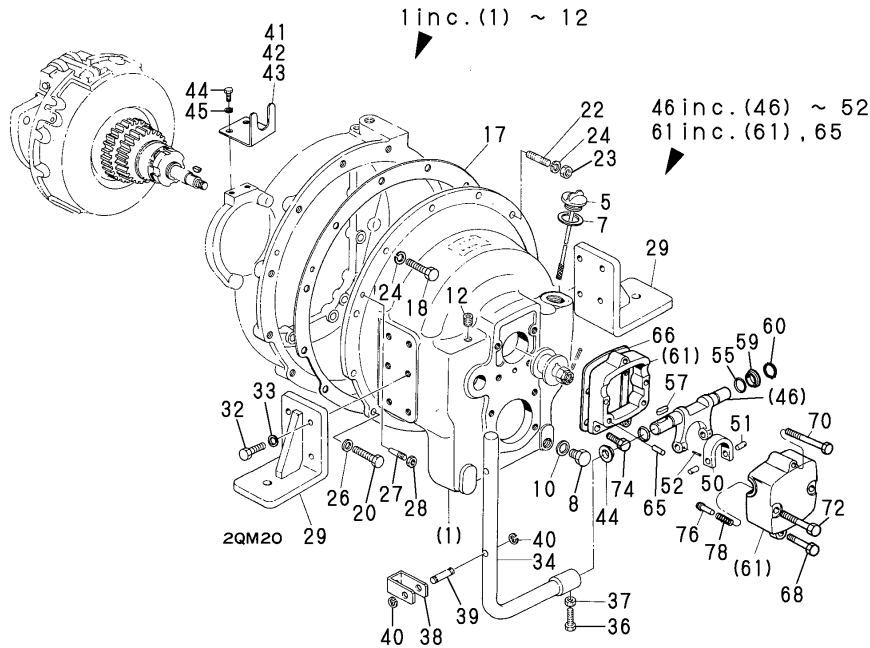
バッテリーケーブル①②③の抵抗合計は、0.002オーム以下  
 ケーブル①②③の総長とサイズについて次の長さを越えないこと。  
 21フィート(7m)迄 60mm<sup>2</sup>  
 15フィート(5m)迄 40mm<sup>2</sup>  
 8フィート(2.5m)迄 20mm<sup>2</sup>  
 (L)=3m以下: ④と⑤ 5mm<sup>2</sup>  
 その他のケーブル 1mm<sup>2</sup>以上  
 (L)=6m以下: ④と⑤ 8mm<sup>2</sup>  
 その他のケーブル 2mm<sup>2</sup>以上

(A)=2QM20  
 (B)=3QM30  
 (C)=2QM

(D)=3QM  
 (E)=  
 (F)=

REF.	LEV.	PARTS NO.	DESCRIPTION	Q'TY						I	R
				(A)	(B)	(C)	(D)	(E)	(F)		
1	1	124070-91000	PANEL ASSY, INSTRUM.	1	1						
2	2	124070-91010	HOUSING, PANEL	1	1						
3	2	124770-91200	COVER 80	1	1						
4	2	124770-91230	COVER 16	1	1						
5	2	124070-91250	SWITCH W/KEY	1	1						
6	3	124070-91290	KEY, SWITCH	1	1						
7	2	124070-91300	SWITCH	1	1						
8	2	124070-91310	SWITCH	1	1						
9	2	104271-91350	BUZZER, ALARM	1	1						
10	2	124070-91030	HARNES, WIRE	1	1						
11	2	124770-91040	LAMP, PILOT	3	3						
12	3	124770-91040	LAMP, PILOT	3	3						
13	1	104571-91100	TACHOMETER	1	1						
14	2	46150-00110	BULB(12V3W/G11.BA9S)	1	1						
15	2	124070-91160	SENDER UNIT	1	1						

Fig.22. CLUTCH HOUSING



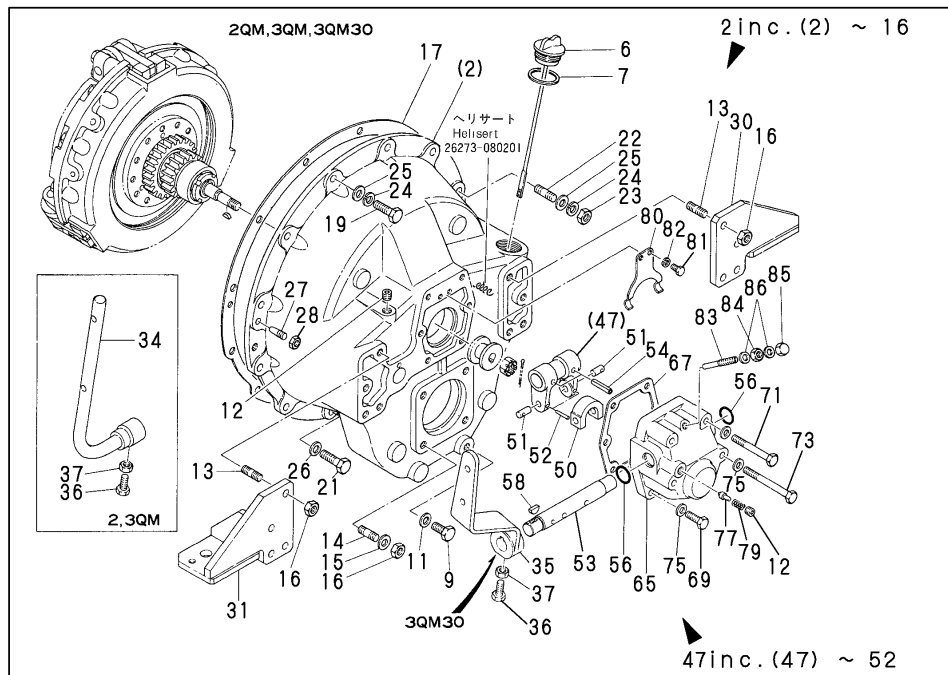
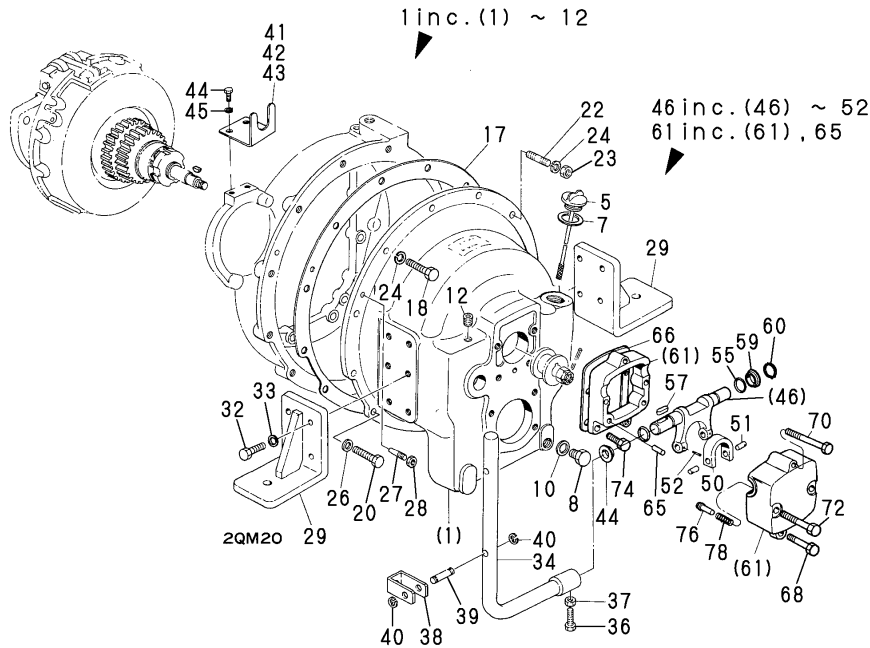
(A)=2QM20  
(B)=3QM30  
(C)=2QM  
(D)=3QM  
(E)=  
(F)=

REF.	LEV.	PARTS NO.	DESCRIPTION	QTY						I	R
				(A)	(B)	(C)	(D)	(E)	(F)		
1	1	724770-82550	HOUSING ASSY, CLUTCH	1							
1-1	1	724770-82551	HOUSING ASSY, CLUTCH	1							N
(A=EXXX)											
2	1	776000-02550	HOUSING ASSY, CLUTCH		1	1	1				
5	2	124770-82900	CAP W/DIPSTICK	1							
6	2	176000-02901	CAP W/DIPSTICK		1	1	1				
7	2	101104-01760	GASKET, CAP	1	1	1	1				
8	2	23883-160002	PLUG 16	1							
9	2	26114-100222	BOLT M10X 22		1	1	1				
10	2	23414-160000	GASKET 16, ROUND	1							
11	2	23414-100000	GASKET 10, ROUND		1	1	1				
12	2	23873-010000	PLUG PT 1/8	1	2	2	2				
13	2	26226-100222	STUD M10X 22 PLATED		8	8	8				
14	2	26226-100202	STUD M10X 20 PLATED		4	4	4				
15	2	22117-100000	WASHER 10		4	4	4				
16	2	26716-100002	NUT 10		12	12	12				
17	1	124770-82031	PACKING	1	1	1	1				
18	1	26116-100302	BOLT 10X30	6							
19	1	26116-100352	BOLT 10X35		6	6	6				
20	1	26113-100302	BOLT M10X 30	2							
21	1	26113-100352	BOLT 10* 35		2	2	2				
22	1	26216-100252	STUD M10X 25 PLATED	4	4	4	4				
23	1	26716-100002	NUT 10	4	4	4	4				
24	1	22212-100000	WASHER, 10	10	10	10	10				
24-1	1	22217-100000	SPRING WASHER 10	10	10	10	10				N
(A=EXXX) (B=EXXX) (C=EXXX) (D=EXXX)											
25	1	22117-100000	WASHER 10		10	10	10				
26	1	22113-100000	WASHER 10		2	2	2				
27	1	22332-080220	TAPER PIN 8X22	2	2	2	2				
28	1	26756-080002	LOCK NUT M 8 PLATED	2	2	2	2				
29	1	124770-82810	BRACKET	2							
30	1	176000-02801	BRACKET (A)		1	1	1				
31	1	176000-02811	BRACKET (B)		1	1	1				
32	1	26116-100252	BOLT M10X 25 PLATED	8							
33	1	22212-100000	WASHER, 10	8							
33-1	1	22217-100000	SPRING WASHER 10	8							N
(A=EXXX)											
34	1	104214-84450	HANDLE, OPERATING	1		1	1				
35	1	176000-04521	LEVER		1						
36	1	26116-080202	BOLT M 8X 20 PLATED	1	1	1	1				
37	1	26756-080002	LOCK NUT M 8 PLATED	1	1	1	1				
38	1	104214-86030	CONNECTOR	1		1	1				
39	1	41710-000860	PIN	1		1	1				
40	1	22272-000070	CIRCLIP E- 7			2	2				
41	1	124772-86100	BRACKET, REMOTE-CONT	1							
42	1	121370-86101	BRACKET, REMOTE-CONT		1						
43	1	124790-86100	BRACKET, REMOTE-CONT			1	1				
44	1	26116-060129	BOLT M 6X 12 PLATED	2	2	2	2				
45	1	22212-060000	SPRING WASHER 6	2	2	2	2				
45-1	1	22217-060000	SPRING WASHER 6	2	2	2	2				N
(A=EXXX) (B=EXXX) (C=EXXX) (D=EXXX)											

N:Old  $\frac{Yes}{No}$  New, Q:Old  $\frac{No}{Yes}$  New, R:Old  $\frac{Yes}{Yes}$  New, S:Old  $\frac{No}{No}$  New, W:Add, Z:Discontinued, F:Interchangeable by set, K:Q'ty Change  
 ++ CONTINUE ++  
 (C)Copy Rights YANMAR CO.,LTD.

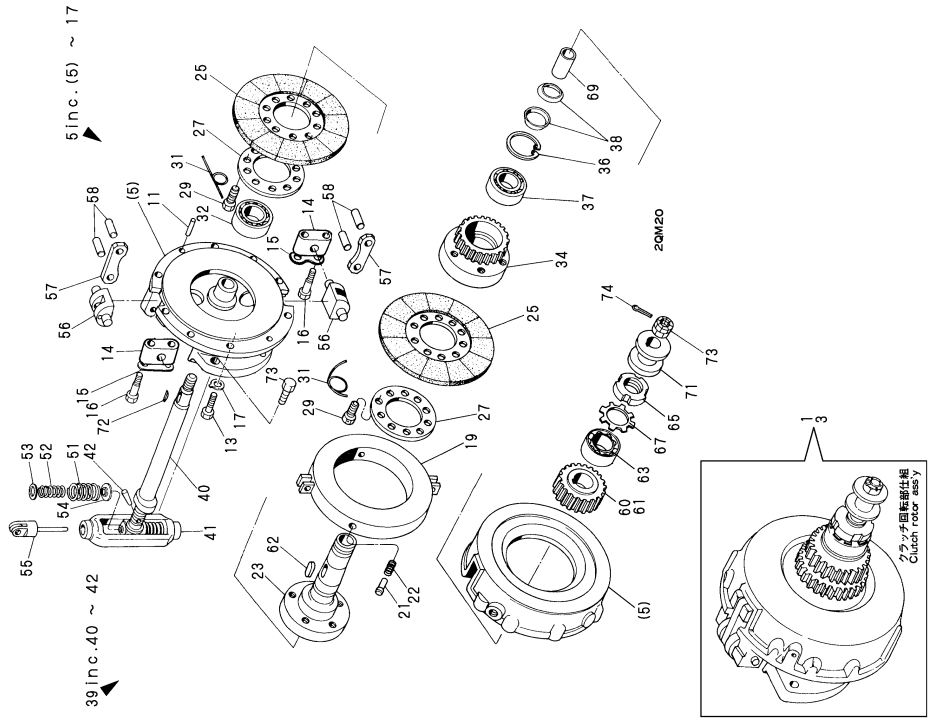
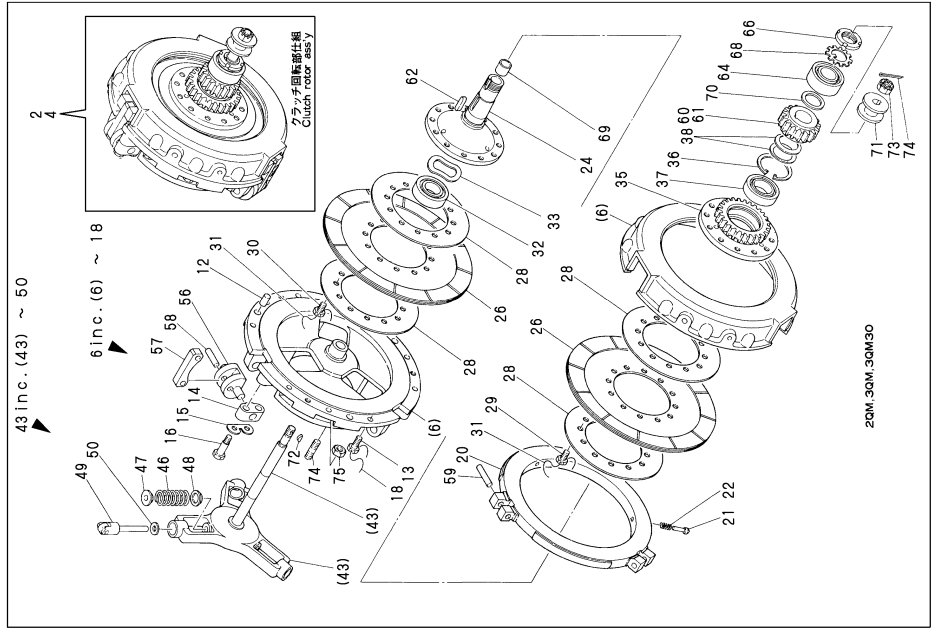
Fig.22. CLUTCH HOUSING

(A)=2QM20  
(B)=3QM30  
(C)=2QM  
(D)=3QM  
(E)=  
(F)=



REF.	LEV.	PARTS NO.	DESCRIPTION	QTY						I	R
				(A)	(B)	(C)	(D)	(E)	(F)		
46	1	120220-84472	FORK ASSY, LEVER	1							
47	1	105582-84470	FORK ASSY, LEVER		1						
50	2	120220-84300	BUSH, SHIFTER	1	1	1	1				
51	2	22312-080180	PARALLEL PIN 8X16	2	2	2	2				
52	2	22322-030220	TAPER PIN 3X22	2	2	2	2				
53	1	105582-84150	SHAFT		1	1	1				
54	1	22351-060032	SPRING PIN 6X32		2	2	2				
55	1	24311-000180	O-RING 1A P-18.0	2							
56	1	24311-000200	O-RING 1A P-20.0		2	2	2				
57	1	22512-050180	KEY 5X 18	1							
58	1	22522-050160	KEY 5X16		1	1	1				
59	1	120220-84130	RETAINER, O-RING	2							
60	1	22242-000180	CIRCLIP 18	1							
61	1	704211-82500	COVER ASSY, REAR	1							
64	2	22312-040120	PARALLEL PIN 4X12	2							
65	1	705582-82500	COVER ASSY, REAR		1	1	1				
66	1	104211-82090	PACKING	1							
67	1	105582-82090	PACKING, REAR COVER		1	1	1				
68	1	26116-080352	BOLT M 8X 35	1							
69	1	26116-080302	BOLT 8X30		2	2	2				
70	1	26116-080552	BOLT 8X55	1							
71	1	26116-080702	BOLT M 8X 70 PLATED		2	2	2				
72	1	26116-080902	BOLT M 8X 90 PLATED	2							
73	1	26116-080852	BOLT M 8X 85 PLATED		2	2	2				
74	1	26116-080202	BOLT M 8X 20 PLATED	2							
75	1	22117-080000	WASHER 8		6	6	6				
76	1	124210-83360	CLAW	1							
77	1	105582-82120	CLAW		1	1	1				
78	1	120220-82130	SPRING	1							
79	1	105582-82130	SPRING		1	1	1				
80	1	176000-02201	SPRING		1	1	1				
81	1	26117-060129	BOLT M 6X 12 PLATED		2	2	2				
82	1	22212-060000	SPRING WASHER 6		2	2	2				
82-1	1	22217-060000	SPRING WASHER 6		2	2	2				N
			(B=EXXX) (C=EXXX) (D=EXXX)								
83	1	105582-82780	BOLT		1	1	1				
84	1	26756-080002	LOCK NUT M 8 PLATED		1	1	1				
85	1	26668-080002	NUT,CAP 8		1	1	1				
86	1	23414-080000	GASKET 8, ROUND		2	2	2				

Fig.23. FRICTION DISC & AHEAD SHAFT

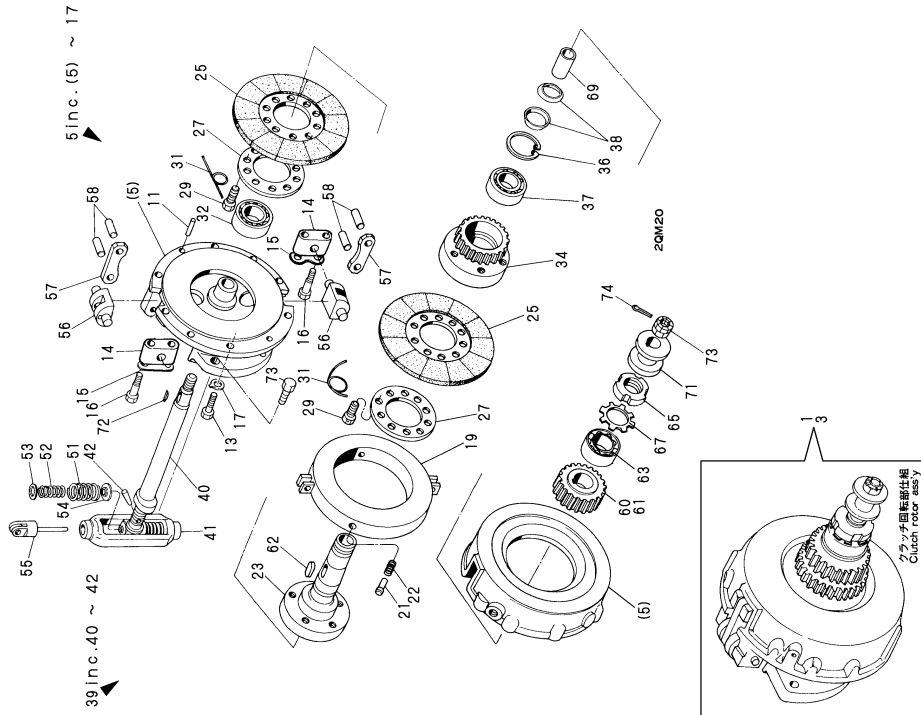
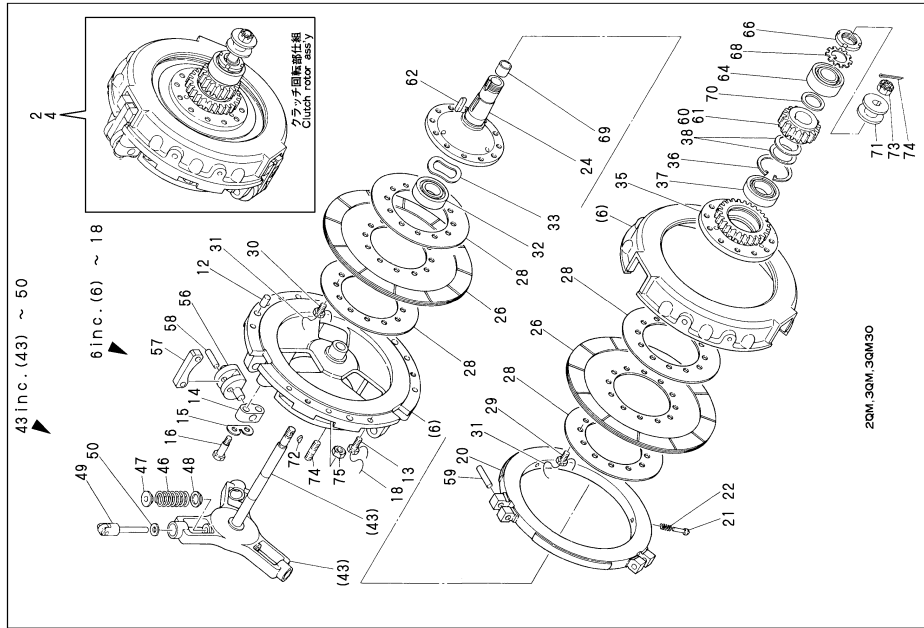


(A)=2QM20  
(B)=3QM30  
(C)=2QM  
(D)=3QM  
(E)=  
(F)=

REF.	LEV.	PARTS NO.	DESCRIPTION	QTY						I	R
				(A)	(B)	(C)	(D)	(E)	(F)		
1	1	724770-83730	ROTATOR(l=2.20) ASY	1							
2	1	776000-03730	ROTATOR(l=2.20) ASY		1	1	1				
3	1	724771-83730	ROTATOR(l=3.21) ASY	1							
4	1	776001-03730	ROTATOR(l=3.21) ASY		1	1	1				
5	2	724770-83150	HOUSING ASSY, CLUTCH	1							
6	2	776000-03720	HOUSING ASSY, CLUTCH		1	1	1				
11	3	22312-080180	PARALLEL PIN 8X16	2							
12	3	22312-100180	PARALLEL PIN 10X 18		3	3	3				
13	3	26116-080206	BOLT M 8X 20 PLATED	6	9	6	9				
14	3	122310-83380	FITTINGS, V-LEVER	2	3	3	3				
15	3	122310-83630	WASHER	2	3	2	3				
16	3	122310-83390	BOLT	4	6	6	6				
17	3	124210-83150	WASHER	6							
18	3	22451-100000	WIRE 1.0		3	3	3				
19	2	120220-83342	PLATE, FRICT. DISC	1							
20	2	176000-03150	PLATE, DISC		1	1	1				
21	2	124210-83360	CLAW	4	3	3	3				
22	2	124210-83370	SPRING	4	3	3	3				
23	2	124770-83210	SHAFT, FORWARD	1							
24	2	176000-03201	SHAFT, FORWARD		1	1	1				
25	2	124770-83300	DISC, FRICTION	2							
26	2	176000-03300	DISC, FRICTION		2	2	2				
27	2	124770-83330	WASHER	2							
28	2	176000-03330	WASHER		4	4	4				
29	2	104211-83290	BOLT	15							
30	2	120220-83290	BOLT		24	24	24				
31	2	22451-100000	WIRE 1.0	2	2	2	2				
32	2	24104-062054	BALL BEARING	1	1	1	1				
33	2	176000-03450	WASHER		1	1	1				
34	2	120220-83200	SHAFT, REVERSING	1							
35	2	176000-03211	SHAFT, REVERSING		1	1	1				
36	2	22252-000550	CIRCLIP 55	1	1	1	1				
37	2	24101-060064	BALL BEARING	1	1	1	1				
38	2	120220-83250	SPRING	2	2	2	2				
39	2	120220-84490	SHAFT ASSY, THRUST	1							
40	3	120220-84120	SHAFT, SHIFTING	1							
41	3	120220-84320	CASE	1							
42	3	22322-040400	TAPER PIN 4X40	1							
43	2	776000-03570	SHAFT ASSY, THRUST		1	1	1				
46	3	176000-03860	SPRING		3	3	3				
47	3	125110-84480	RETAINER		3	3	3				
48	3	125110-84490	RETAINER		3	3	3				
49	3	176000-03740	ROD W/ROLLER		3	3	3				
50	3	125110-84520	SHIM		3	3	3				
51	2	122310-84460	SPRING (A)	2							
52	2	122310-84470	SPRING (B)	2							
53	2	125110-84480	RETAINER	2							
54	2	125110-84490	RETAINER	2							
55	2	122310-84450	ROD W/ROLLER	2							
56	2	124210-84402	LEVER(V)	2	3	2	3				
57	2	122310-84421	LINK	2	3	2	3				

N:Old  $\begin{matrix} \text{Yes} \\ \text{No} \end{matrix}$  New, Q:Old  $\begin{matrix} \text{No} \\ \text{Yes} \end{matrix}$  New, R:Old  $\begin{matrix} \text{Yes} \\ \text{No} \end{matrix}$  New, S:Old  $\begin{matrix} \text{No} \\ \text{Yes} \end{matrix}$  New, W:Add, Z:Discontinued, F:Interchangeable by set, K:Q'ty Change  
 ++ CONTINUE ++  
 (C)Copy Rights YANMAR CO.,LTD.

Fig.23. FRICTION DISC & AHEAD SHAFT



(A)=2QM20  
(B)=3QM30  
(C)=2QM

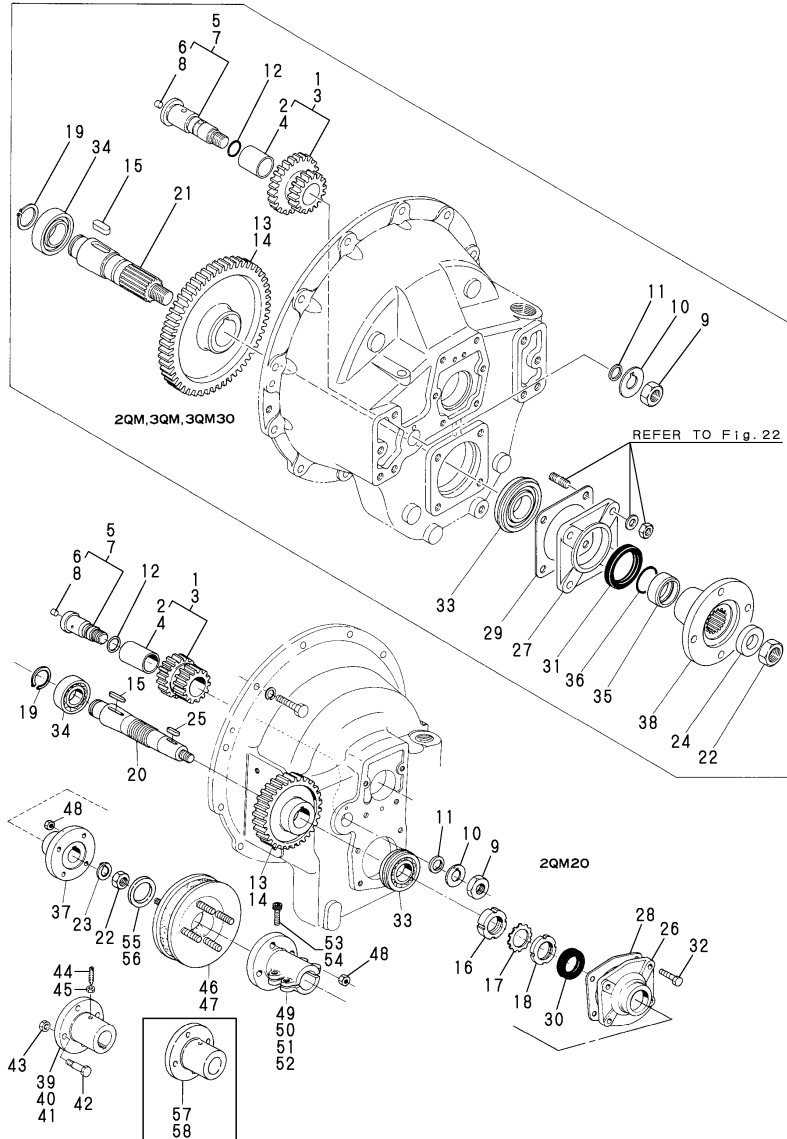
(D)=3QM  
(E)=  
(F)=

REF.	LEV.	PARTS NO.	DESCRIPTION	QTY						I	R
				(A)	(B)	(C)	(D)	(E)	(F)		
58	2	124210-84410	PIN	4	3	3	3				
59	2	122410-84450	PIN		3	3	3				
60	2	124770-83520	PINION Z=25 l=2.20	1	1	1	1				
61	2	120221-83520	PINION Z=19 l=3.21	1	1	1	1				
62	2	22512-070260	KEY 7X 26	1	1	1	1				
63	2	24101-062054	BEARING #6205	1							
64	2	176000-03950	BEARING #5205S		1	1	1				
65	2	120220-83450	NUT	1							
66	2	24211-025002	NUT M25,BEARING		1	1	1				
67	2	122310-83460	WASHER	1							
68	2	24231-025000	WASHER 25,BEARING		1	1	1				
69	2	122310-83800	BUSH	1	1	1	1				
70	2	176000-03461	SPACER		1	1	1				
71	2	120220-84310	PLATE	1	1	1	1				
72	2	22522-040130	WOODRUFF KEY 4X13	1	1	1	1				
73	2	26887-120002	NUT M12	1	1	1	1				
74	2	22411-300250	PIN 3.0* 25	1	1	1	1				



Fig.24. IDLE GEAR SHAFT & THRUST SHAFT

(A)=2QM20 (D)=3QM  
 (B)=3QM30 (E)=  
 (C)=2QM (F)=



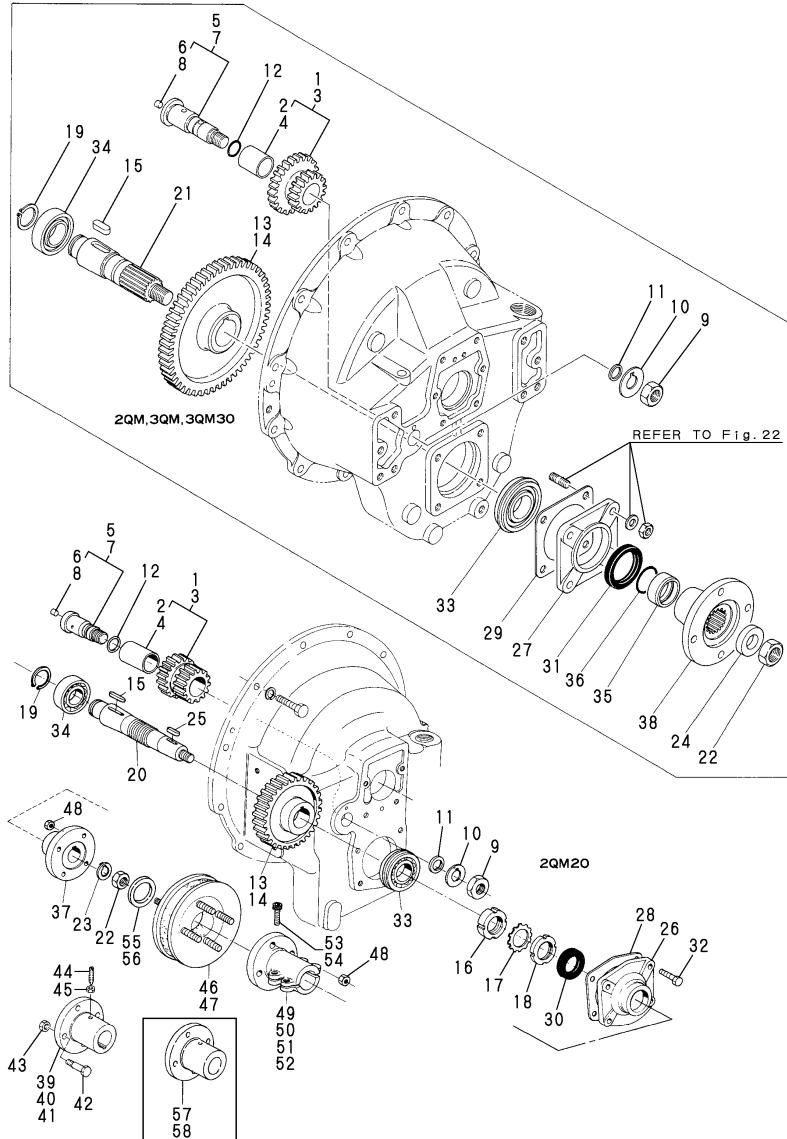
Remarks  
 (1)l=2.20  
 (2)l=3.21  
 (3)2QM & 2QM20:l=3.21  
 2QM20 & 3QM30:l=2.2  
 FROM REF.NO.39 UP TO REF.NO58 IS  
 OPTIONAL.

REF.	LEV.	PARTS NO.	DESCRIPTION	QTY						I	R
				(A)	(B)	(C)	(D)	(E)	(F)		
1	1	124770-83030	GEAR (Z=23/26), IDLE	1	1	1	1				
2	2	120220-83060	BUSH	1	1	1	1				
3	1	120221-83030	GEAR W/BUSH, IDLE	1	1	1	1				
4	2	120220-83060	BUSH	1	1	1	1				
5	1	120220-83230	SHAFT, IDLE GEAR	1	1	1	1				
6	2	124210-83270	PLUG	1	1	1	1				
7	1	176000-03230	SHAFT, IDLE GEAR	1	1	1	1				
8	2	124210-83270	PLUG	1	1	1	1				
9	1	120220-83420	NUT	1	1	1	1				
10	1	120220-83410	WASHER	1	1	1	1				
11	1	120220-83260	WASHER	1	1	1	1				
12	1	24311-000180	O-RING 1A P-18.0	1	1	1	1				
13	1	124770-83530	GEAR(Z=55) l=2.20	1	1	1	1				
14	1	124221-83530	GEAR(Z=61) l=3.21	1	1	1	1				
15	1	22512-100260	KEY 10X 26	1	1	1	1				
16	1	120220-83470	NUT	1							
17	1	120220-83480	WASHER	1							
18	1	120220-83490	NUT, LOCK	1							
19	1	22242-000300	CIRCLIP 30	1	1	1	1				
20	1	124227-83220	SHAFT, THRUST	1							
21	1	176000-03651	SHAFT, THRUST		1	1	1				
22	1	26776-200002	LOCK NUT 20	1	1	1	1				
23	1	122310-83410	WASHER	1							
24	1	176000-03730	WASHER		1	1	1				
25	1	22512-070300	KEY 7X 30	1							
26	1	120220-82230	COVER, REAR	1							
27	1	176000-02401	COVER, REAR		1	1	1				
28	1	120220-82240	PACKING	1							
29	1	176000-02410	GASKET		1	1	1				
30	1	120220-82300	SEAL, OIL	1							
31	1	176000-02440	SEAL, OIL		1	1	1				
32	1	26116-100222	BOLT 10X22	4							
33	1	120220-82280	BEARING, BALL	1	1	1	1				
34	1	24101-062064	BALL BEARING	1	1	1	1				
35	1	176000-03721	SPACER		1	1	1				
36	1	24321-000350	O-RING 1A G-35.0		1	1	1				
37	1	122310-83400	COUPLING	1							
38	1	176000-03701	COUPLING (ENGINE)		1	1	1				
39	1	48110-028070	COUPLING 28	1		1					1
40	1	48110-030060	COUPLING 30	1	1	1	1				3
41	1	48110-034070	COUPLING 34		1		1				2
42	1	26116-100322	BOLT M10X 32 PLATED	4	4	4	4				
43	1	26716-100002	NUT 10	4	4	4	4				
44	1	48110-032411	SCREW	1	1	1	1				
45	1	26756-080002	LOCK NUT M 8 PLATED	1	1	1	1				
46	1	124770-85400	COUPLING	1							
47	1	121370-85401	COUPLING		1	1	1				
48	2	26736-100002	NUT M10	8	8	8	8				
49	1	104214-83500	COUPLING (28), SLIT	1							
50	1	104214-83980	COUPLING (20), SLIT	1							
51	1	104214-83990	COUPLING (1 INCH)	1							

Fig.24. IDLE GEAR SHAFT & THRUST SHAFT

(A)=2QM20  
(B)=3QM30  
(C)=2QM

(D)=3QM  
(E)=  
(F)=

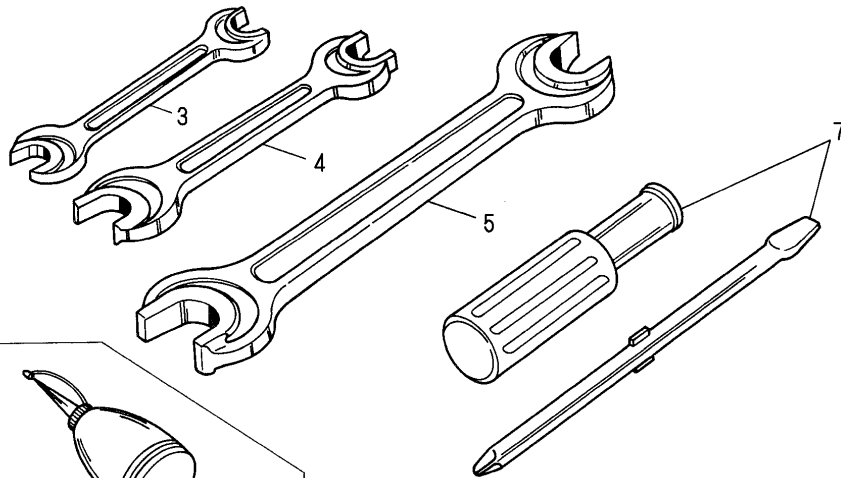
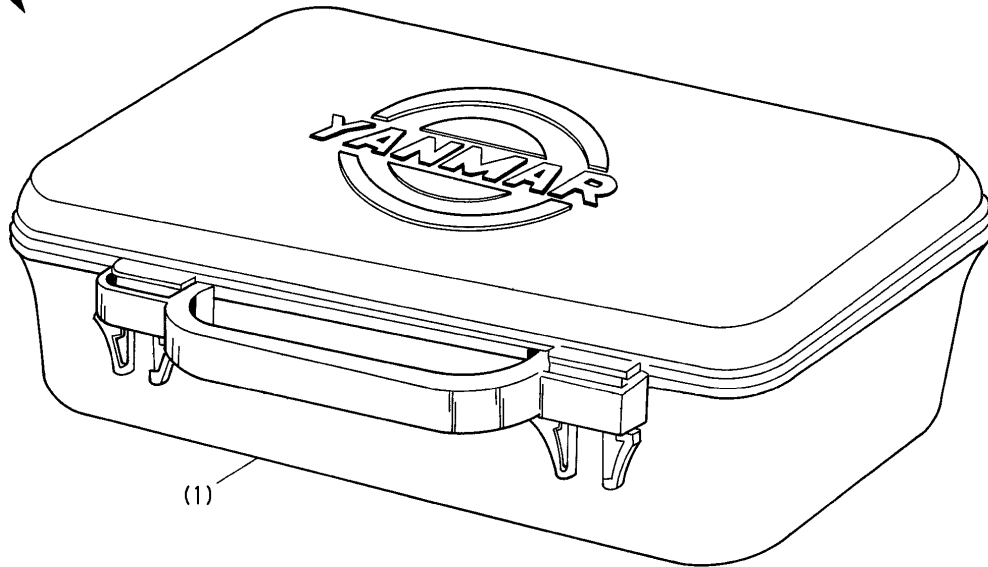


REF.	LEV.	PARTS NO.	DESCRIPTION	Q'TY						I	R
				(A)	(B)	(C)	(D)	(E)	(F)		
52	1	121370-83981	COUPLING (25), SLIT		1						
53	2	26450-080282	BOLT M 8X 28	4							
54	2	26450-100302	BOLT M10X 30		6						
55	1	124772-85910 (A=*1978.03)	FITTINGS, COUPLING	1							W
56	1	121370-85910 (B=*1978.03) (C=*1978.03) (D=*1978.03)	RING, COUPLING		1	1	1				W
57	1	105583-85900 (A=*1978.03)	COUPLING 22	1							W
58	1	124323-85900 (B=*1978.03)	COUPLING		1						W

Remarks  
 (1)l=2.20  
 (2)l=3.21  
 (3)2QM & 2QM20:l=3.21  
 2QM20 & 3QM30:l=2.2  
 FROM REF.NO.39 UP TO REF.NO58 IS  
 OPTIONAL.

Fig.25. TOOL

1inc.(1) ~ 5, 7



特別注文部品  
Optional parts

Remarks  
(1)FROM APRIL,1978,THE OIL FEEDER  
IS AVAILABEL AS AN OPTIONAL.

(A)=2QM20  
(B)=3QM30  
(C)=2QM

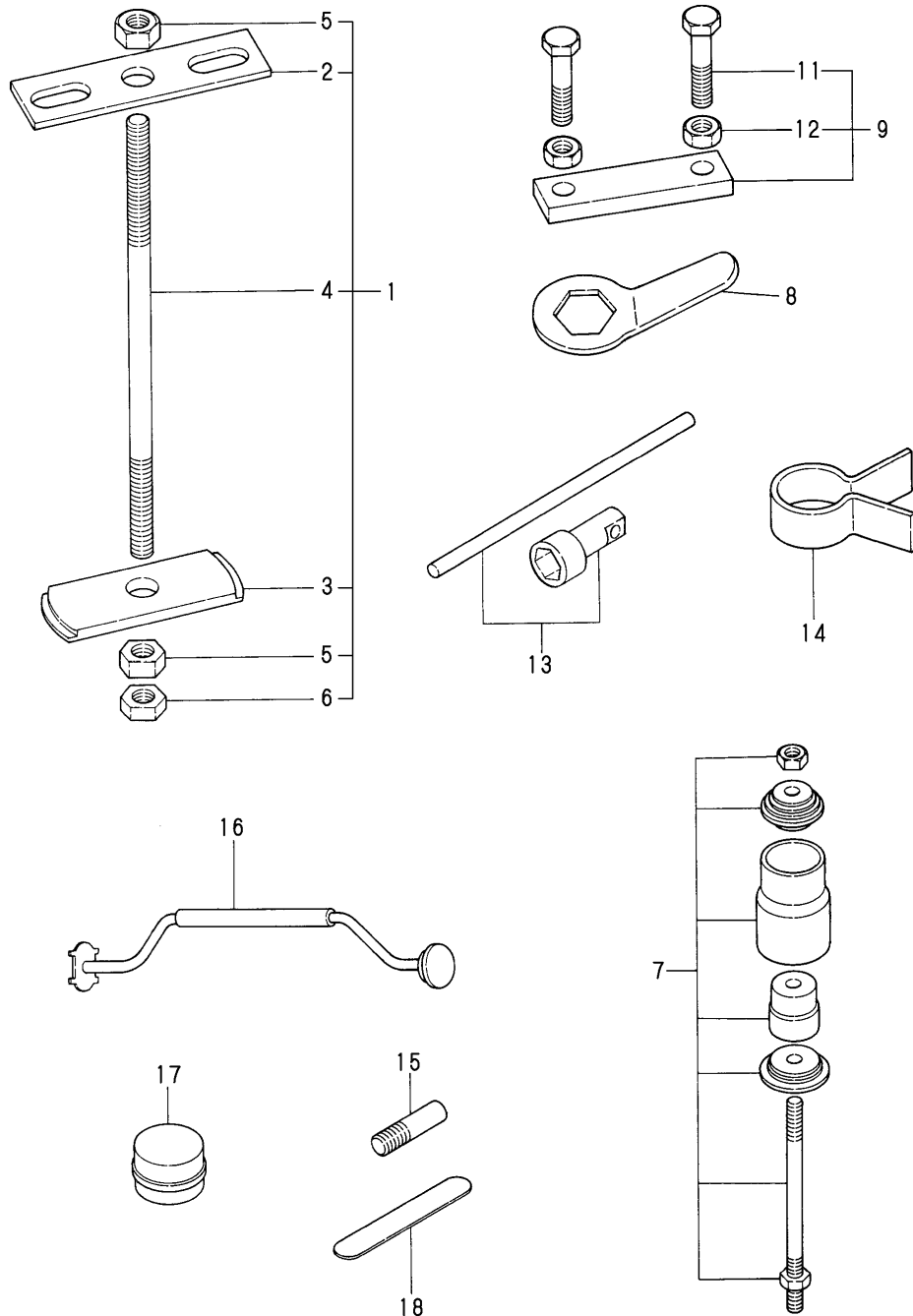
(D)=3QM  
(E)=  
(F)=

REF.	LEV.	PARTS NO.	DESCRIPTION	Q'TY						I	R
				(A)	(B)	(C)	(D)	(E)	(F)		
1	1	704507-92100	SEE 704800-92100	1	1	1	1				
3	2	28110-100130	WRENCH 10X13	1	1	1	1				
4	2	28110-170190	WRENCH 17X19	1	1	1	1				
5	2	28110-220240	WRENCH 22X24	1	1	1	1				
6	2	28210-000150	FEEDER, OIL	1	1	1	1			Z	1
		(A=EXXX) (B=EXXX) (C=EXXX) (D=EXXX)									
7	2	104200-92350	DRIVER, SCREW	1	1	1	1				

Fig.26. SPECIAL TOOL(OPTIONAL)

(A)=2QM20  
(B)=3QM30  
(C)=2QM

(D)=3QM  
(E)=  
(F)=



REF.	LEV.	PARTS NO.	DESCRIPTION	Q'TY						I	R
				(A)	(B)	(C)	(D)	(E)	(F)		
1	1	724770-92210	TOOL, CYL LINER	1	1	1	1				
2	2	103338-92020	RETAINER	1	1	1	1				
3	2	101400-92010	RETAINER	1	1	1	1				
4	2	103338-92030	BOLT	1	1	1	1				
5	2	26717-160002	NUT M16	2	2	2	2				
5-1	2	26716-160002	NUT M16	2	2	2	2				R
		(A=EXXX) (B=EXXX) (C=EXXX) (D=EXXX)									
6	2	26717-160002	LOCK NUT M16 PLATED	1	1	1	1				
6-1	2	26756-160002	LOCK NUT M16 PLATED	1	1	1	1				R
		(A=EXXX) (B=EXXX) (C=EXXX) (D=EXXX)									
7	1	124460-92400	TOOL, MAIN-BEARING	1	1	1	1				
8	1	103338-92100	WRENCH, END NUT	1		1					
9	1	724770-92220	TOOL, FLYWHEEL	1		1					
11	2	104200-92130	BOLT	2		2					
12	2	26717-120002	NUT 12	2		2					
12-1	2	26716-120002	NUT 12	2		2					R
		(A=EXXX) (C=EXXX)									
13	1	124770-92690	REPLACER, PULLEY	1		1					
14	1	101404-92140	TOOL, PISTON&RING	1	1	1	1				
15	1	101104-92180	PULLER, NOZZLE	1	1	1	1				
16	1	28210-000031	RAPPING TOOL	1	1	1	1				
17	1	28210-000070	LAPPING POWDER	1	1	1	1				
18	1	28312-150750	THICKNESS GAUGE	1	1	1	1				

Fig.27. PACKING KIT(OPTIONAL)

OCR10-G09109 27. PACKING KIT(OPTIONAL)

(A)=2QM20  
(B)=3QM30  
(C)=2QM  
(D)=3QM  
(E)=  
(F)=

REF.	LEV.	PARTS NO.	DESCRIPTION	Q'TY						I	R
				(A)	(B)	(C)	(D)	(E)	(F)		
1	1	724772-92600	GASKET SET	1							
2	1	721370-92600	GASKET SET		1						
3	1	724790-92600	GASKET SET			1					
4	1	721390-92600	GASKET SET					1			
5	2	124465-01750	GASKET	1		1					
5-1	2	124465-01751	GASKET	1		1					N
6	2	121250-01750	GASKET, OIL SUMP		1		1				
6-1	2	121250-01751	GASKET, OIL SUMP		1		1				N
7	2	124160-01861	GASKET	1	1	1	1				
7-1	2	124160-01863	GASKET	1	1	1	1				N
8	2	124450-01511	GASKET, GEAR HOUSING	1	1	1	1				
8-1	2	124450-01512	GASKET, GEAR HOUSING	1	1	1	1				N
9	2	124770-01861	GASKET	1	1	1	1				
10	2	124240-01881	GASKET, HYD.OIL PUMP	1	1	1	1				
10-1	2	124240-01882	GASKET, HYD.OIL PUMP	1	1	1	1				N
11	2	124450-44410	GASKET	1	1	1	1				
12	2	124450-11681	GASKET	1	1	1	1				
13	2	123210-09310	PACKING	3	3	1	1				
14	2	104900-11450	GASKET, CHAMBER	4	6	4	6				
15	2	103854-11490	INSULATOR	2	3	2	3				
16	2	124450-11310	GASKET, BONNET	1		1					
17	2	121370-11310	GASKET, BONNET		1		1				
18	2	121370-11331	GASKET, BONNET		2		2				
18-1	2	124460-03663	GASKET		2		2				S
19	2	124460-02150	GASKET	1	1	1	1				
20	2	124160-34842	GASKET		1		1				
20-1	2	124160-34843	GASKET		1		1				N
20-2	2	124160-34844	GASKET		1		1				N
21	2	124450-32020	GASKET	1	1	1	1				
22	2	124770-34730	GASKET	2	2	2	2				
23	2	124772-01610	GASKET	1	1	1	1				
24	2	124223-42020	GASKET	1	1	1	1				
25	2	124223-42110	GASKET	1	1	1					
26	2	145410-46110	PACKING				1				
27	2	124223-42140	GASKET	1	1	1					
28	2	121390-42140	GASKET				1				
29	2	104211-49160	PACKING	1							
30	2	121370-49160	PACKING		2						
31	2	124790-49760	PACKING, THERMOSTART			1	1				
32	2	124223-01850	GASKET, FEED PUMP	1	1	1	1				
33	2	124770-77081	GASKET	1	1	1	1				
34	2	124770-82031	PACKING	1	1	1	1				
35	2	120220-82090	PACKING	1							

Remarks  
THIS FIGURE ARE NOT ILLUSTRATED.

Fig.27. PACKING KIT(OPTIONAL)

OCR10-G09109 27. PACKING KIT(OPTIONAL)

(A)=2QM20  
(B)=3QM30  
(C)=2QM  
(D)=3QM  
(E)=  
(F)=

REF.	LEV.	PARTS NO.	DESCRIPTION	Q'TY						I	R
				(A)	(B)	(C)	(D)	(E)	(F)		
36	2	105582-82090	PACKING, REAR COVER		1	1	1				
37	2	120220-82240	PACKING	1							
38	2	176000-02410	GASKET		1	1	1				
39	2	124550-51350	GASKET, DELIVERY	2	3	2	3				
40	2	174307-51270	GASKET	2	3	2	3				
41	2	172100-53200	GASKET	2	3	2	3				
42	2	23414-060000	GASKET 6, ROUND	5	5	5	5				
43	2	23414-080000	GASKET 8, ROUND	20	20	20	20				
44	2	23414-100000	GASKET 10, ROUND	5	5	5	5				
45	2	23414-120000	GASKET 12, ROUND	20	20	20	20				
46	2	23414-140000	GASKET 14, ROUND	5	5	5	5				
47	2	23414-160000	GASKET 16, ROUND	5	5	5	5				
48	2	23414-250000	GASKET 25,ROUND	5	5	5	5				

Remarks  
THIS FIGURE ARE NOT ILLUSTRATED.

Fig.28. SPAIR PART KIT

(A)=2QM20  
(B)=3QM30  
(C)=2QM  
(D)=3QM  
(E)=  
(F)=

REF.	LEV.	PARTS NO.	DESCRIPTION	Q'TY						I	R
				(A)	(B)	(C)	(D)	(E)	(F)		
1	1	724772-92500	REPAIR SET	1							
2	1	721370-92500	REPAIR SET		1						
3	2	124750-01331	GASKET, CYL. HEAD	1							
3-1	2	124772-01330 (A=*1979.12)	GASKET, CYL. HEAD	1							N
4	2	121370-01330	GASKET, CYL. HEAD		1						
4-1	2	121370-01331 (B=*1976.12)	GASKET, CYL. HEAD		1						N
5	2	124450-11900	GASKET, SUC.MANIFOLD	1							
6	2	121250-13520	GASKET, EXH.MANIFOLD		3						
7	2	124770-13130	GASKET	1							
8	2	124770-13180	GASKET	1							
9	2	124770-13170	GASKET	1	2						
10	2	724750-22500	RING SET	2	3						
10-1	2	724790-22500	RING SET	2	3						N
11	2	124550-35110 (A=*1978.03)	ELEMENT, LUB. OIL	1	1						
12	2	104500-55710 (B=*1978.03)	ELEMENT, FUEL	1	1						
13	2	124223-42091	IMPELLER, C. WATER	1	1						
14	2	124770-49200	THERMOSTAT	1							
15	2	105582-49200	THERMOSTAT		1						
16	2	27210-200300	ZINC, ANTI-CORROSIVE	3	3						
17	2	124160-39450	SWITCH, OIL PRESSURE	1	1						
18	2	46150-004530	SENDER UNIT, CW	1	1						
18-1	2	123682-91340 (A=E/#86262) (B=E/#82258)	SENDER UNIT, CW	1	1						F 1
19	2	124770-91040	LAMP, PILOT	3	3						
20	2	124770-53000	NOZZLE ASSY,F.INJECT	2	3						
21	2	124772-77350	V-BELT (A-32)	1	1						

Remarks  
THIS FIGURE ARE NOT ILLUSTRATED.  
(1)REFER TO FIG.20 REF.NO.18-1.

Fig.29. REPAIR KIT FOR INSPECTION

(A)=2QM20  
(B)=3QM30  
(C)=2QM  
(D)=3QM  
(E)=  
(F)=

REF.	LEV.	PARTS NO.	DESCRIPTION	Q'TY						I	R
				(A)	(B)	(C)	(D)	(E)	(F)		
1	1	724790-11990	GASKET, SET			1					
2	1	721390-11990	GASKET, SET				1				
3	2	24311-000140	O-RING 1A P-14.0			2	3				
4	2	124465-01750	GASKET			1					
4-1	2	124465-01751	GASKET (C=EXXX)			1					N
5	2	121250-01750	GASKET, OIL SUMP				1				
5-1	2	121250-01751	GASKET, OIL SUMP (D=EXXX)				1				N
6	2	124750-01331	GASKET, CYL. HEAD			1					
6-1	2	124772-01330	GASKET, CYL. HEAD (C=EXXX)			1					N
7	2	121370-01330	GASKET, CYL. HEAD				1				
7-1	2	121370-01331	GASKET, CYL. HEAD (D=EXXX)				1				N
8	2	121250-12710	GASKET, INT.MANIFOLD				1				
9	2	124450-11900	GASKET, SUC.MANIFOLD			1					
10	2	124770-13130	GASKET			1					
11	2	121250-13520	GASKET, EXH.MANIFOLD				3				
12	2	124450-44410	GASKET			1	1				
13	1	776000-02980	GASKET SET			1	1				
14	2	124770-82031	PACKING			1	1				
15	2	176000-02410	GASKET			1	1				
16	2	22411-300250	PIN 3.0* 25			1	1				
17	2	22451-100000	WIRE 1.0			3	3				
18	2	124210-83360	CLAW			3	3				
19	2	124210-83370	SPRING			3	3				

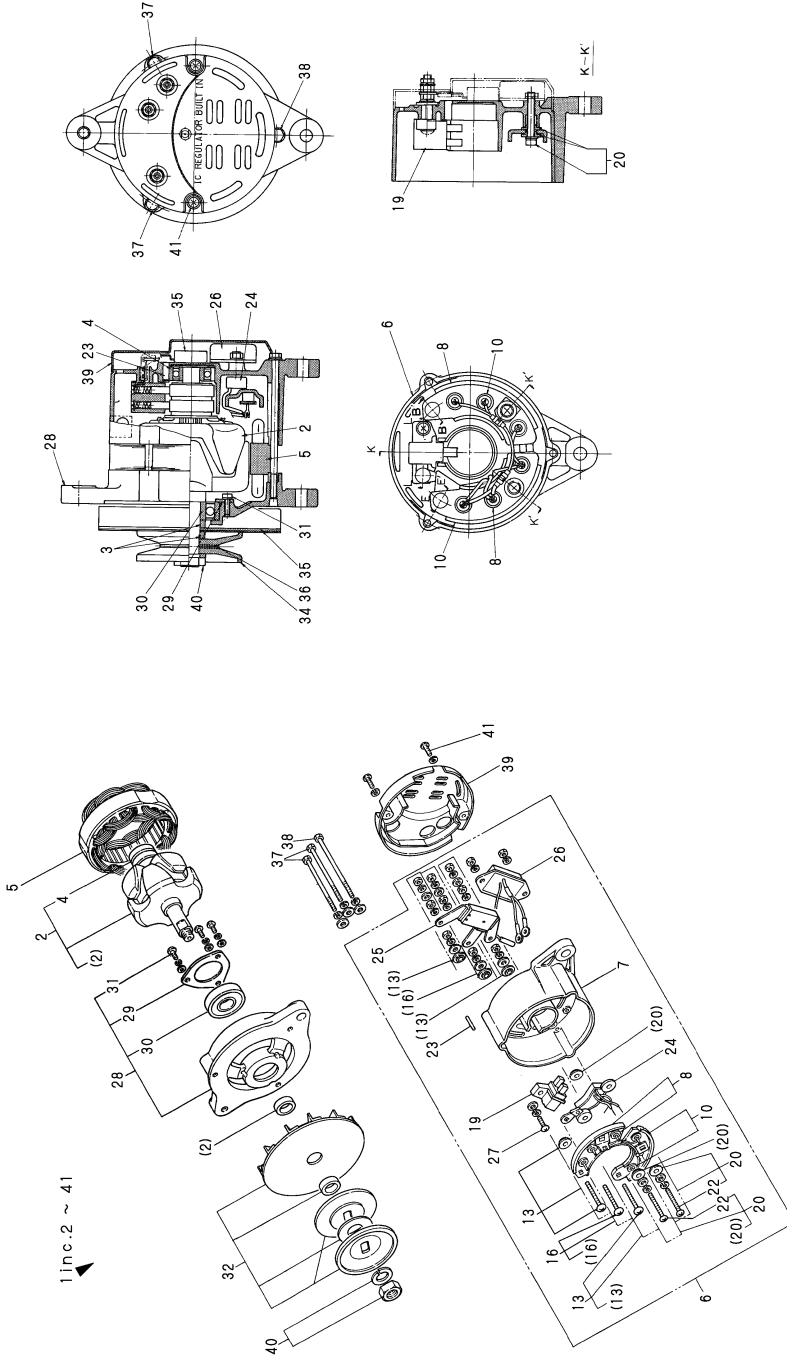
Remarks  
THIS FIGURE ARE NOT ILLUSTRATED.



Fig.30. GENERATOR COMPONENT PART

(A)=2QM20  
(B)=3QM30  
(C)=2QM

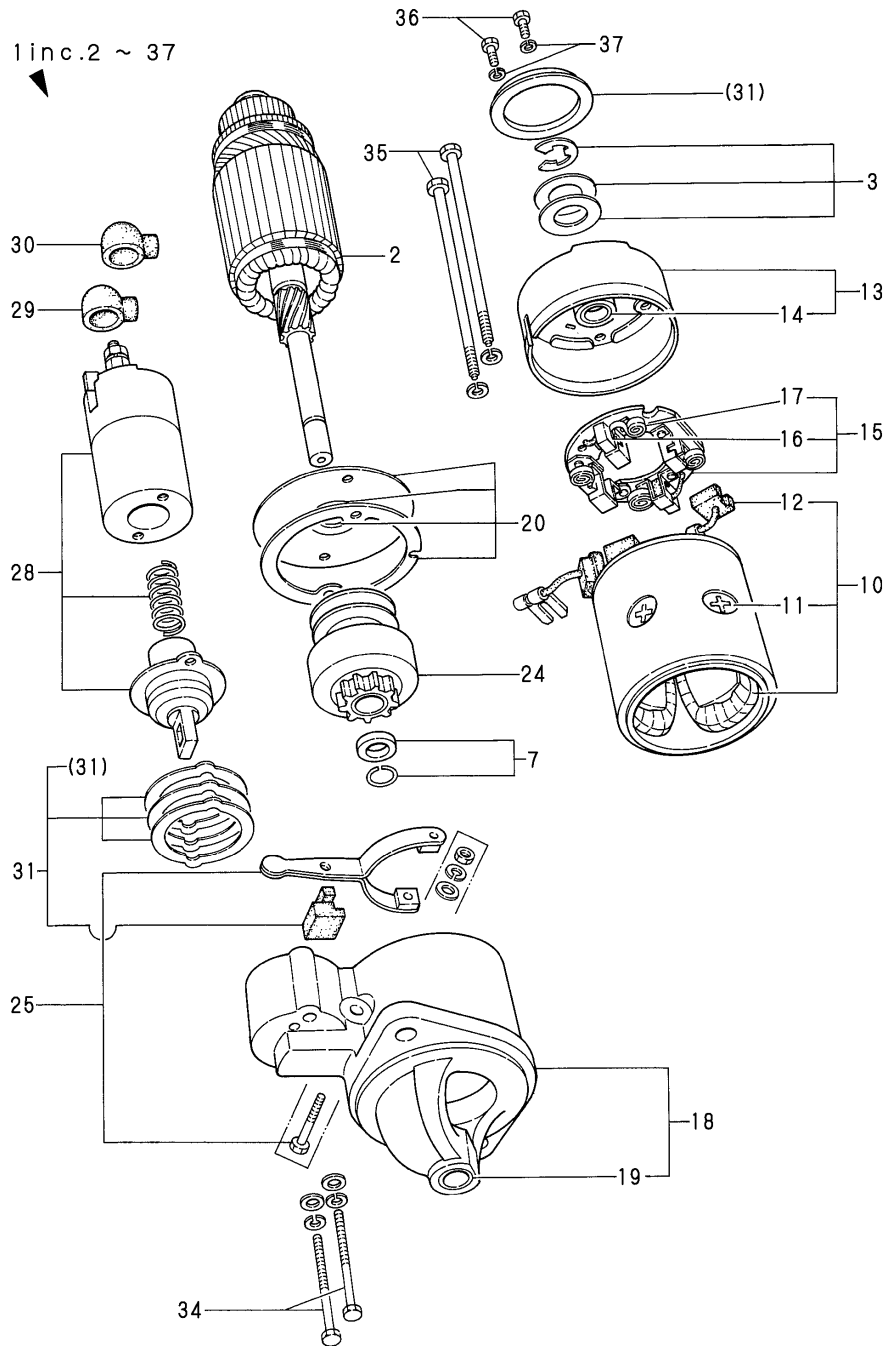
(D)=3QM  
(E)=  
(F)=



REF.	LEV.	PARTS NO.	DESCRIPTION	QTY						I	R
				(A)	(B)	(C)	(D)	(E)	(F)		
1	1	121370-77200	GENERATOR	1	1	1	1				
2	2	XLR135Y1100	ROTOR ASSY	1	1	1	1				
4	3	X6201SD	BEARING	1	1	1	1				
5	2	XL135Y1200	STATOR ASSY	1	1	1	1				
6	2	XL135Y1300	COVER ASSY, REAR	1	1	1	1				
7	3	XL135Y1301	COVER, REAR	1	1	1	1				
8	3	XL135Y1302	SR HOLDER (+)	1	1	1	1				
10	3	XL135Y1303	SR HOLDER (-)	1	1	1	1				
13	3	XL135Y1310	TERMINAL ASSY	2	2	2	2				
16	3	XL135Y1311	TERMINAL ASSY	1	1	1	1				
19	3	XL135Y13200	BRUSH ASSY.	1	1	1	1				
20	3	XL135Y1803	SCREW SET	2	2	2	2				
22	4	26557-050362	SCREW M 5X 36	2	2	2	2				
23	3	XL135Y1810	LOCK, BEARING	1	1	1	1				
24	3	XMV11305	CONTROL UNIT, FIELD	1	1	1	1				
25	3	XMV11306	CR ASSY	1	1	1	1				
26	3	121370-77950	REGULATOR (TR1Z-28)	1	1	1	1				
27	3	26557-050162	SCREW M 5X 16	1	1	1	1				
28	2	XL135Y1400	COVER ASSY, FRONT	1	1	1	1				
29	3	XL135Y1401	RETAINER, BEARING	1	1	1	1				
30	3	X6302B	BALL BEARING	1	1	1	1				
31	3	26557-040182	SCREW	3	3	3	3				
32	2	XL135Y1531	PULLEY ASSY	1	1	1	1				
37	2	XL135Y1801	BOLT, THROUGH	2	2	2	2				
38	2	XL135Y1802	BOLT, THROUGH	1	1	1	1				
39	2	XL135Y1820	COVER	1	1	1	1				
40	2	XB444001A	NUT SET, PULLEY	1	1	1	1				
41	2	26557-050102	SCREW M 5X 10	2	2	2	2				

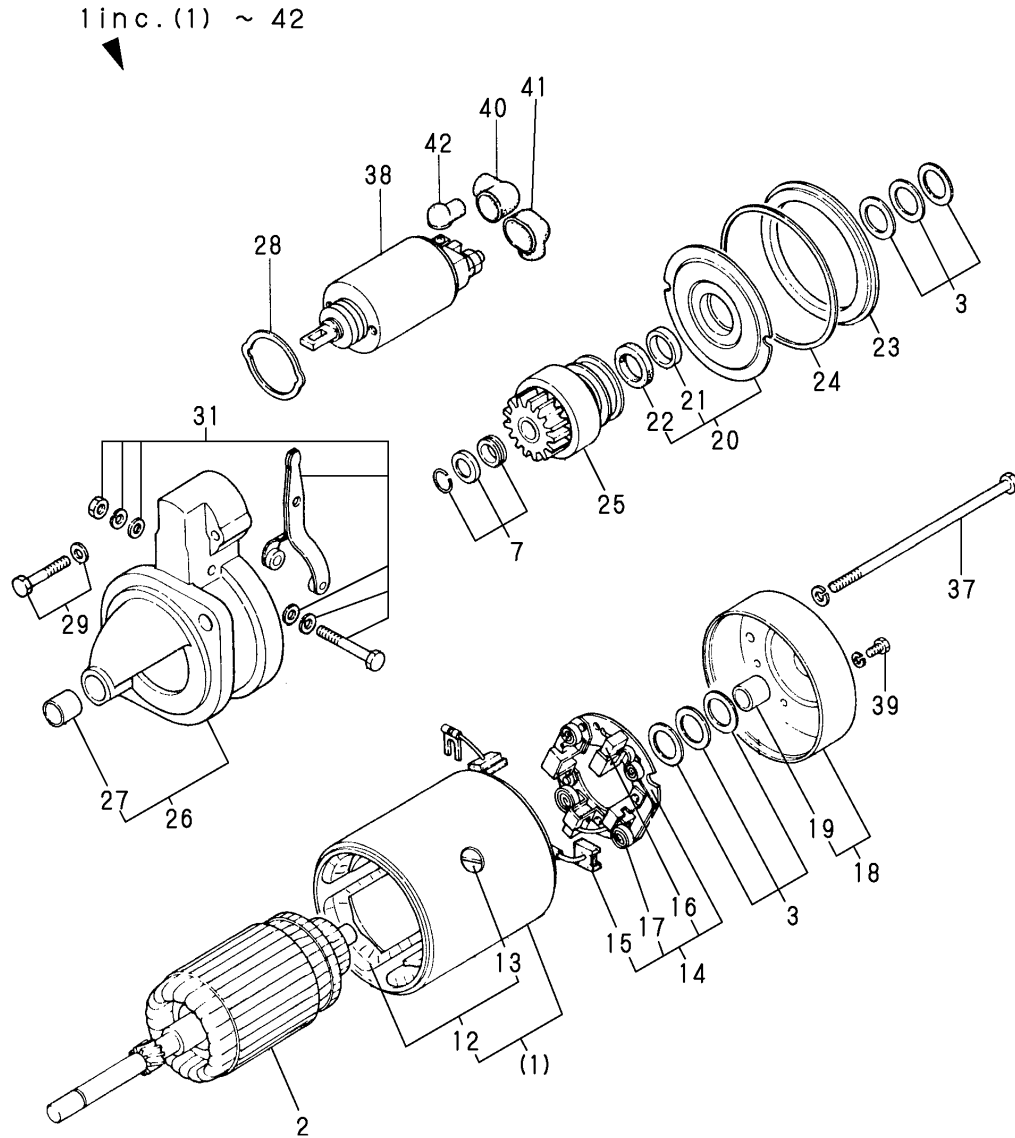
Fig.31. STARTING MOTOR COMPONENT PART(12V 1.0KW)

(A)=2QM20 (D)=3QM  
 (B)=3QM30 (E)=  
 (C)=2QM (F)=



REF.	LEV.	PARTS NO.	DESCRIPTION	QTY						I	R
				(A)	(B)	(C)	(D)	(E)	(F)		
1	1	124770-77010	STARTER	1							
2	2	X211441004	ARMATURE ASSY	1							
3	2	X21148110	WASHER SET, THRUST	1							
7	2	X21147155	STOPPER SET, PINION	1							
10	2	X211482001	COIL ASSY, FIELD	1							
11	3	X21147215	SCREW, POLE CORE	4							
12	3	X21145312	BRUSH (+)	2							
13	2	X211423001	COVER ASSY, REAR	1							
14	3	X21145352	METAL	1							
15	2	X21141360	HOLDER ASSY, BRUSH	1							
16	3	X21145313	BRUSH(-)	2							
17	3	X21144314	SPRING, BRUSH	4							
18	2	X211426006	CASE ASSY, GEAR	1							
19	3	X21144661	METAL, GEAR CASE	1							
20	2	X211484001	BRACKET ASSY	1							
24	2	X211485001	PINION ASSY	1							
25	2	X211416511	LEVER ASSY.	1							
28	2	X211427003	SWITCH ASSY, MAGNET.	1							
29	2	X21142742	COVER (A), RUBBER	1							
30	2	X21141742	COVER (B), RUBBER	1							
31	2	X21148861	COVER SET, DUST	1							
34	2	X21144886	BOLT	2							
35	2	X21146815	BOLT, THROUGH	2							
36	2	26557-040122	SCREW M 4X 12,PAN HD	2							
37	2	22212-040000	SPRING WASHER 4	2							
37-1	2	22217-040000	SPRING WASHER 4	2							R
		(A=EXXX)	(B=EXXX)	(C=EXXX)	(D=EXXX)						

Fig.32. STARTING MOTOR COMPONENT PART(12V 1.8KW)



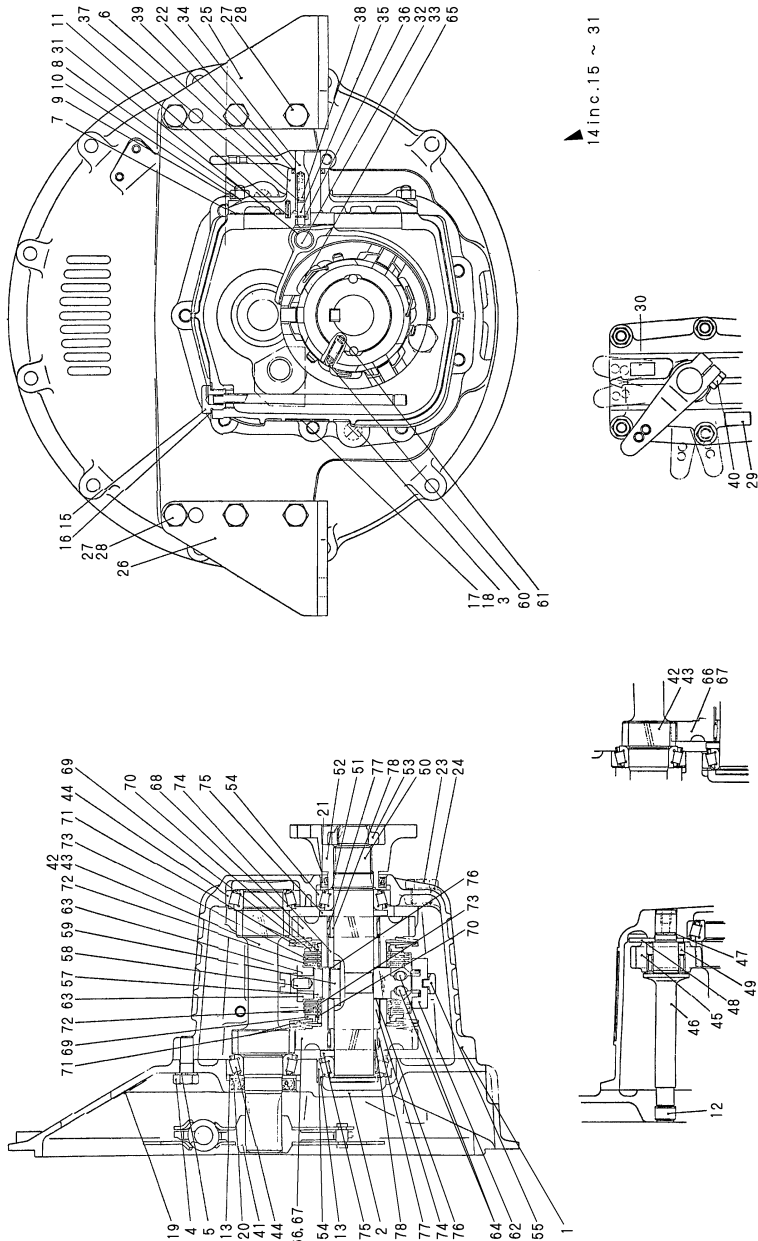
(A)=2QM20 (D)=3QM  
 (B)=3QM30 (E)=  
 (C)=2QM (F)=

REF.	LEV.	PARTS NO.	DESCRIPTION	QTY						I	R
				(A)	(B)	(C)	(D)	(E)	(F)		
1	1	121370-77010	STARTER (S12-47)	1	1	1					
2	2	X21207100	ARMATURE ASSY	1	1	1					
3	2	X21201115	WASHER SET, THRUST	1	1	1					
7	2	X21143155	STOPPER SET, PINION	1	1	1					
12	2	X21202220	COIL ASSY, FIELD	1	1	1					
13	3	X21142215	SCREW	4	4	4					
14	2	X21203305Y	HOLDER ASSY, BRUSH	1	1	1					
15	3	X21207311	BRUSH (+)	2	2	2					
16	3	X21205312	BRUSH (-)	2	2	2					
17	3	X21201313	SPRING, BRUSH	4	4	4					
18	2	X21202350	COVER ASSY, REAR	1	1	1					
19	4	X21204302	METAL, COVER BEARING	1	1	1					
20	2	X21209400	BEARING ASSY	1	1	1					
21	3	X21204401	METAL, CENTER BERG.	1	1	1					
22	3	X21201403	SEAL, OIL	1	1	1					
23	2	X21202404	CENTER PIECE	1	1	1					
24	2	X21201404	PACKING, CENTER	1	1	1					
25	2	X21205550	PINION ASSY	1	1	1					
26	2	X212086001	HOUSING ASSY, GEAR	1	1	1					
27	3	X21202601	METAL, GEAR CASE	1	1	1					
28	2	X21204610	COVER, DUST	1	1	1					
29	2	X21201815	BOLT	2	2	2					
31	2	X21206605	LEVER SET, SHIFT	1	1	1					
37	2	X21207810	BOLT, THROUGH	2	2	2					
38	2	X21203750	SWITCH, MAGNETIC	1	1	1					
39	2	26557-040082	SCREW M 4X 8	6	6	6					
40	2	X21201836	COVER, RUBBER	1	1	1					
41	2	X21201742	COVER, RUBBER	1	1	1					
42	2	X21201744	COVER, RUBBER	1	1	1					

Fig.33. CLUTCH KBW-10A(FOR 2QM20)(OPTIONAL)

(A)=KH18-A  
(B)=KBW-10A  
(C)=

(D)=  
(E)=  
(F)=

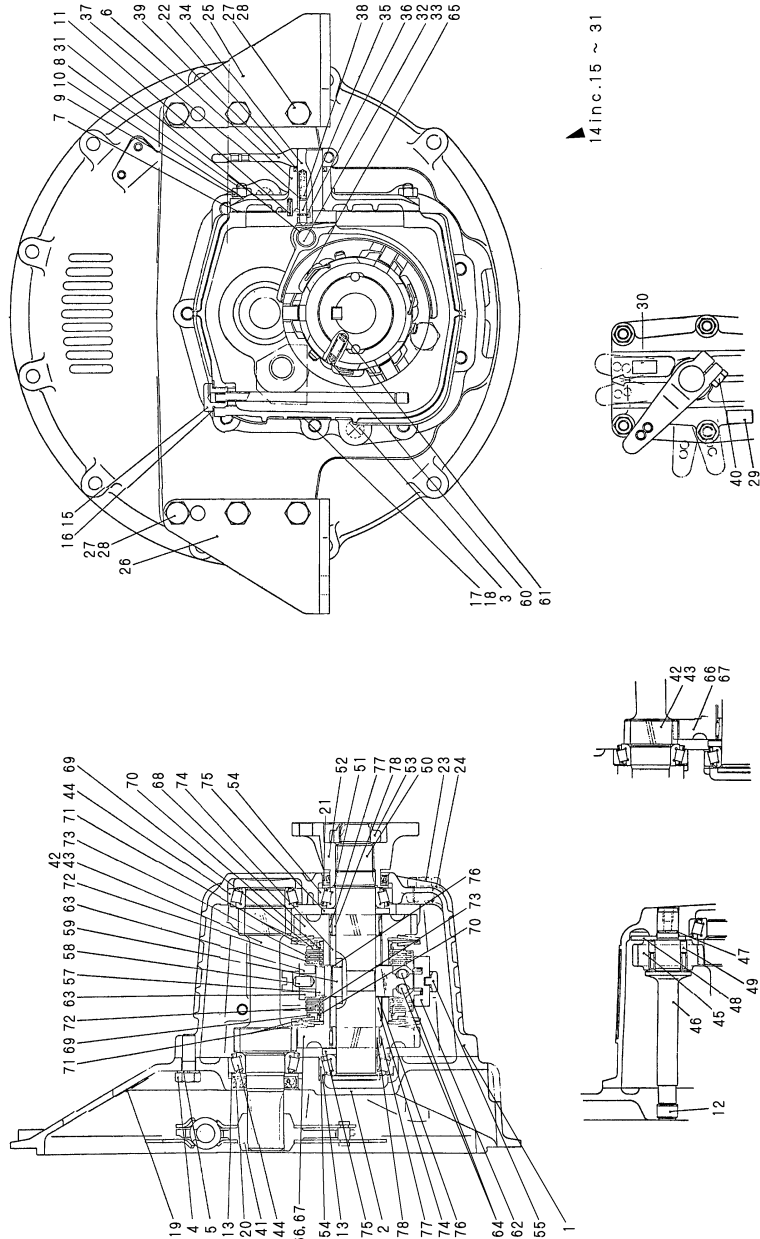


▲ 14 inc. 15 ~ 31

Remarks  
(1) INTERCHANGEABLE BY SIMULTANEOUS REPLACEMENT WITH REF.NO.49-1.

REF.	LEV.	PARTS NO.	DESCRIPTION	QTY						I	R
				(A)	(B)	(C)	(D)	(E)	(F)		
1	1	177099-02110	HOUSING, CLUTCH		1						
2	1	177099-02120	FLANGE, MOUNTING		1						
3	1	177099-02130	STRAIGHT PIN		2						
4	1	26116-100302	BOLT 10X30		9						
5	1	22287-100000	WASHER 10		9						
6	1	177099-02081	COVER, SIDE		1						
7	1	177099-02091	GASKET		1						
8	1	26216-080222	STUD M 8X 22 PLATED		6						
9	1	26716-080002	NUT M 8		6						
10	1	22287-080000	LOCKING WASHER		6						
11	1	22352-040012	SPRING PIN 4X12		1						
12	1	177099-06050	PLUG		1						
13	1	177099-02250	SHIM SET		2						
14	1	177099-06010	FORK ASSY, SHIFT		1						
15	2	177099-02450	DIPSTICK W/BREATHER		1						
16	2	23414-160021	GASKET 16		1						
17	2	177099-02421	LABEL		4						
18	2	102210-07990	RIVET		4						
19	2	177095-02400	LABEL		1						
20	2	177099-02950	SEAL TC30 52 8, OIL		1						
21	2	177099-02960	SEAL TC40 52 8, OIL		1						
22	2	177095-02980	SEAL, OIL		1						
23	2	23884-160002	PLUG 16		1						
24	2	23414-160000	GASKET 16, ROUND		1						
25	2	177080-02720	BRACKET (A)		1						
26	2	177080-02730	BRACKET (B)		1						
27	2	26116-100302	BOLT 10X30		4						
28	2	22287-100000	WASHER 10		6						
29	2	177090-02620	LABEL		1						
30	2	177090-02630	LABEL		1						
31	2	177095-06070	BEARING, SHIFT FORK		2						
32	1	177099-06041	SHAFT, SHIFT		1						
33	1	177099-06050	PLUG		1						
34	1	177095-06030	CAM, SHIFT		1						
35	1	177095-06050	PIN		1						
36	1	177095-06140	CIRCLIP		1						
37	1	177095-03200	SPRING		1						
38	1	177095-06060	SPRING		1						
39	1	177095-06040	LEVER		1						
40	1	26116-080252	BOLT M 8X 25 PLATED		1						
41	1	177099-03500	DISK, (NON-ASB.)		1						
42	1	177099-03011	SHAFT, INPUT (I=2)		1						
43	1	177099-03411	SHAFT, INPUT (I=3)		1						
44	1	177099-03920	ROLLER BEARING		2						
45	1	177099-03301	GEAR (Z=25), IDLE		1						
46	1	177099-03311	SHAFT, IDLE GEAR		1						
46-1	1	177099-03980	SHAFT		1						S 1
				(B=C/#2679)							
47	1	24341-000150	O-RING 1A S-15.0		1						
48	1	177099-03321	WASHER, THRUST		1						
49	1	177099-03900	NEEDLE BEARING		2						

Fig.33. CLUTCH KBW-10A(FOR 2QM20)(OPTIONAL)



▲ 14 inc. 15 ~ 31

(A)=KH18-A  
(B)=KBW-10A  
(C)=

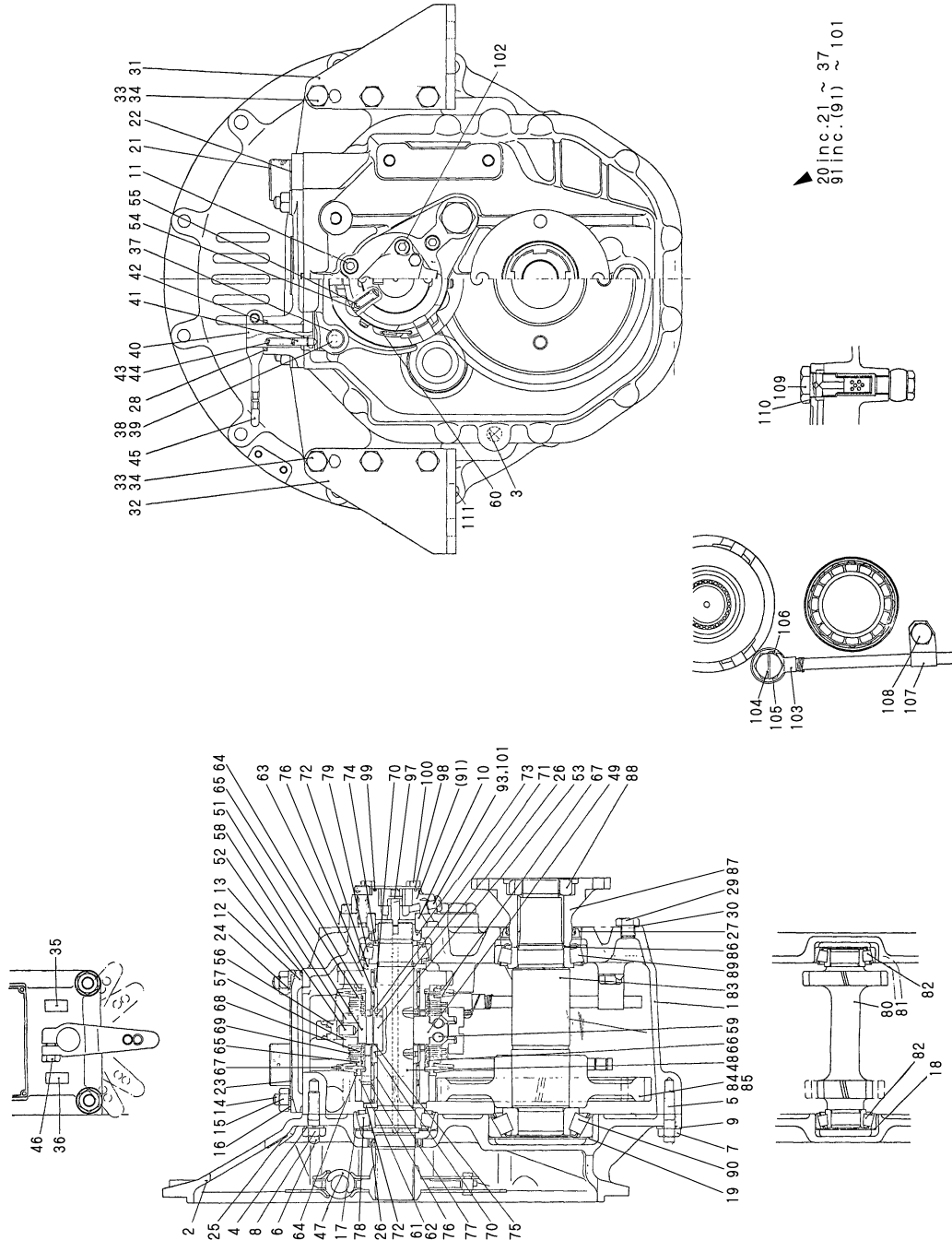
(D)=  
(E)=  
(F)=

REF.	LEV.	PARTS NO.	DESCRIPTION	QTY						I	R
				(A)	(B)	(C)	(D)	(E)	(F)		
49-1	1	177099-03901	NEEDLE BEARING (B=C/#2679)		2						S
50	1	177099-03021	SHAFT, OUTPUT		1						
51	1	24321-000300	O-RING G30		1						
52	1	177099-03550	COUPLING, OUTPUT		1						
53	1	177099-03540	LOCK NUT		1						
54	1	177099-03920	ROLLER BEARING		2						
55	1	177099-03040	PLATE ASSY, DRIVING		1						
57	2	177095-03030	PARALLEL PIN		2						
58	2	177095-03040	PARALLEL PIN		3						
59	1	177090-03230	KEY		1						
60	1	177095-03190	PIN		3						
61	1	177095-03200	SPRING		3						
62	1	177099-03070	RING, SHIFTING		1						
63	1	177099-03080	PLATE, PRESSURE		2						
64	1	177090-03180	BALL 8MM		6						
65	1	177095-03210	SPRING, RETURN		3						
66	1	177099-03101	GEAR (Z=47), FORWARD		1						
67	1	177099-03431	GEAR (Z=51), FORWARD		1						
68	1	177099-03111	GEAR (Z=45)		1						
69	1	177090-03110	RETAINER (B)		2						
70	1	177095-03280	CIRCLIP		2						
71	1	177090-03121	SPRING		4						
72	1	177090-03080	DISC, FRICTION		8						
73	1	177090-03090	PLATE, STEEL		6						
74	1	177099-03161	SPACER		2						
75	1	177090-03270	WASHER, THRUST		2						
76	1	177095-03800	SHIM SET		2						
77	1	177095-03900	ROLLER BEARING		2						
78	1	177099-03470	RACE INNER		2						

Remarks

(1)INTERCHANGEABLE BY SIMULTANEOUS REPLACEMENT WITH REF.NO.49-1.

Fig.34. CLUTCH KH-18A(FOR 3QM30)(OPTIONAL)

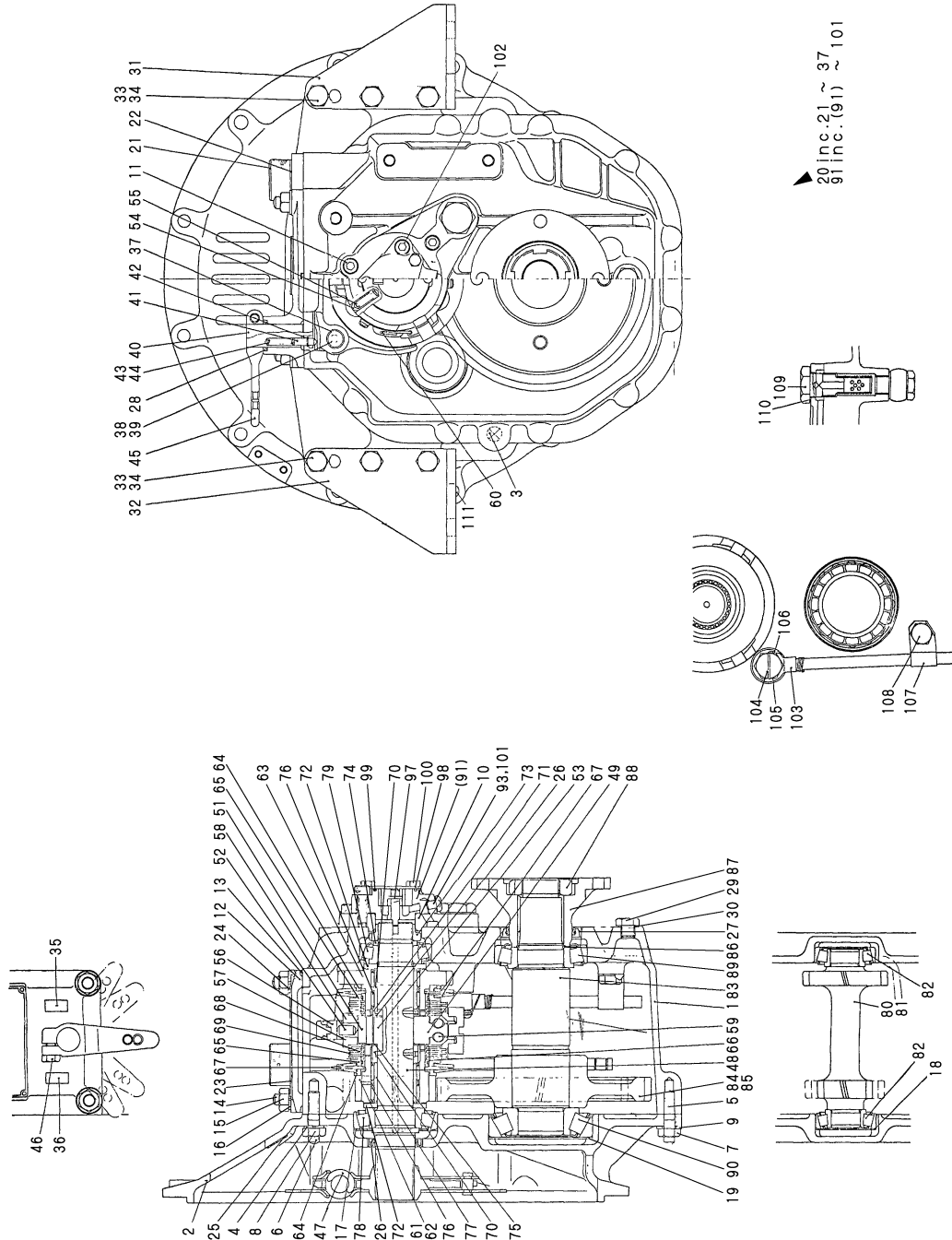


(A)=KH18-A  
(B)=KBW-10A  
(C)=

(D)=  
(E)=  
(F)=

REF.	LEV.	PARTS NO.	DESCRIPTION	Q'TY						I	R
				(A)	(B)	(C)	(D)	(E)	(F)		
1	1	177090-02700	HOUSING, CLUTCH	1							
2	1	177091-02710	FLANGE, MOUNTING	1							
3	1	177099-02130	STRAIGHT PIN	2							
4	1	22287-100000	WASHER 10	8							
5	1	26223-100252	STUD M10X 25	4							
6	1	26226-100252	STUD M10X 25 PLATED	8							
7	1	26713-100002	NUT, M10 (STENLES	4							
8	1	26716-100002	NUT 10	8							
9	1	22133-100000	WASHER 10	4							
10	1	177090-02800	SPACER, L.O. PUMP	1							
11	1	26450-080222	BOLT M 8X 22	3							
12	1	177090-02070	COVER, UPPER	1							
13	1	177090-02120	PACKING, UPPER COVER	1							
14	1	26226-100252	STUD M10X 25 PLATED	4							
15	1	26716-100002	NUT 10	4							
16	1	22287-100000	WASHER 10	4							
17	1	177095-02250	SHIM SET	1							
18	1	177090-02250	SHIM SET	1							
19	1	177095-02310	SHIM	1							
20	1	177090-06010	FORK ASSY, SHIFT	1							
21	2	177090-02451	DIPSTICK	1							
22	2	23418-270035	GASKET 27, ROUND	1							
23	2	177090-02421	LABEL	1							
24	2	102210-07990	RIVET	4							
25	2	177095-02400	LABEL	1							
26	2	177095-02960	SEAL SB35 47 7, OIL	1							
27	2	177090-02970	SEAL TC54 70 9, OIL	1							
28	2	177095-02980	SEAL, OIL	1							
29	2	23884-120002	PLUG M12,HEX.	1							
30	2	23414-120000	GASKET 12, ROUND	1							
31	2	177091-02720	BRACKET (A)	1							
32	2	177091-02730	BRACKET (B)	1							
33	2	26116-100282	BOLT M10X 28 PLATED	6							
34	2	22287-100000	WASHER 10	6							
35	2	177090-02620	LABEL	1							
36	2	177090-02630	LABEL	1							
37	2	177095-06070	BEARING, SHIFT FORK	2							
38	1	177090-06300	SHAFT, SHIFT	1							
39	1	177099-06050	PLUG	1							
40	1	177095-06030	CAM, SHIFT	1							
41	1	177095-06050	PIN	1							
42	1	177095-06140	CIRCLIP	1							
43	1	177095-03200	SPRING	1							
44	1	177095-06060	SPRING	1							
45	1	177095-06040	LEVER	1							
46	1	26116-080252	BOLT M 8X 25 PLATED	1							
47	1	177090-03500	DISC, DAMPER	1							
48	1	177090-03750	SHAFT, INPUT	1							
49	1	177090-03020	PLATE ASSY, DRIVING	1							
51	2	177095-03030	PARALLEL PIN	2							
52	2	177095-03040	PARALLEL PIN	3							

Fig.34. CLUTCH KH-18A(FOR 3QM30)(OPTIONAL)



(A)=KH18-A  
(B)=KBW-10A  
(C)=

(D)=  
(E)=  
(F)=

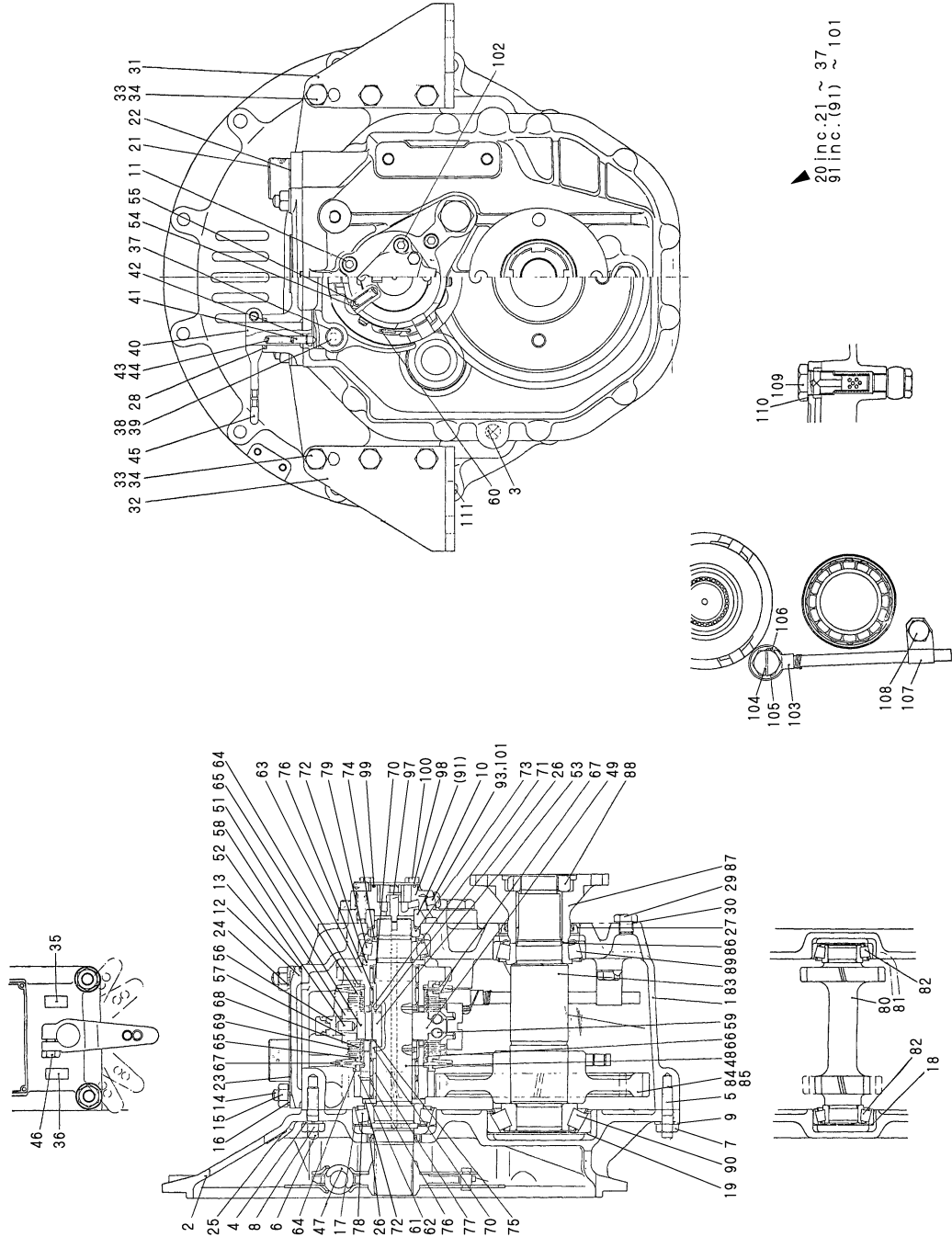
REF.	LEV.	PARTS NO.	DESCRIPTION	Q'TY						I	R
				(A)	(B)	(C)	(D)	(E)	(F)		
53	1	177090-03230	KEY	1							
54	1	177095-03190	PIN	3							
55	1	177095-03200	SPRING	3							
56	1	177090-03050	RING, SHIFTING	1							
57	1	177090-03060	PLATE (L), PRESSURE	1							
58	1	177090-03070	PLATE, PRESSURE	1							
59	1	177090-03180	BALL 8MM	6							
60	1	177090-03210	SPRING	3							
61	1	177090-03300	PINION (Z=24), FWD.	1							
62	1	177090-03600	PINION (Z=32), FWD.	1							
63	1	177090-03310	GEAR (Z=36)	1							
64	1	177090-03100	RETAINER (A)	2							
65	1	177090-03110	RETAINER (B)	2							
66	1	177095-03280	CIRCLIP	2							
67	1	177090-03121	SPRING	4							
68	1	177090-03080	DISC, FRICTION	8							
69	1	177090-03090	PLATE, STEEL	6							
70	1	177090-03130	SPACER (A)	1							
71	1	177090-03140	SPACER (B)	1							
72	1	177090-03270	WASHER, THRUST	2							
73	1	177090-03760	NUT	1							
74	1	177095-03240	SPACER	1							
75	1	177095-03800	SHIM SET	2							
76	1	177095-03900	ROLLER BEARING	4							
77	1	177095-03150	BUSH	2							
78	1	24141-302070	ROLLER BEARING	1							
79	1	24141-302060	ROLLER BEARING	1							
80	1	177090-03320	GEAR (Z=17/26), IDLE	1							
81	1	177090-03610	GEAR (Z=24/26), IDLE	1							
82	1	24141-302050	ROLLER BEARING	2							
83	1	177090-03800	SHAFT, OUTPUT	1							
84	1	177090-03810	GEAR (Z=72) I=3	1							
85	1	177090-03820	GEAR (Z=65), OUTPUT	1							
86	1	24341-000380	O-RING 1A S-38.0	1							
87	1	177090-03391	COUPLING, OUTPUT	1							
88	1	177090-03400	NUT	1							
89	1	24141-302080	ROLLER BEARING	1							
90	1	177090-03920	ROLLER BERG. #30308	1							
91	1	777095-04900	PUMP ASSY, HYDRAULIC	1							
93	2	124060-32990	PLUG	2							
97	2	101304-32560	PIN, SHAFT	1							
98	2	124060-32070	COVER	1							
99	2	103338-32570	O-RING	1							
100	2	26116-060102	BOLT M 6X 10 PLATED	3							
101	2	23414-080000	GASKET 8, ROUND	2							
102	1	26450-080222	BOLT M 8X 22	2							
103	1	177090-07400	PIPE, LUB OIL	1							
104	1	23851-100006	JOINT BOLT 10	1							
105	1	23414-160000	GASKET 16, ROUND	2							
106	1	22451-100000	WIRE 1.0	1							
107	1	177090-07410	RETAINER, PIPE	1							

N:Old  $\begin{matrix} \text{Yes} \\ \text{No} \end{matrix}$  New, Q:Old  $\begin{matrix} \text{No} \\ \text{Yes} \end{matrix}$  New, R:Old  $\begin{matrix} \text{Yes} \\ \text{No} \end{matrix}$  New, S:Old  $\begin{matrix} \text{No} \\ \text{Yes} \end{matrix}$  New, W:Add, Z:Discontinued, F:Interchangeable by set, K:Q'ty Change

++ CONTINUE ++

(C)Copy Rights YANMAR CO.,LTD.

Fig.34. CLUTCH KH-18A(FOR 3QM30)(OPTIONAL)



OCR10-G09109 34. CLUTCH KH-18A(FOR 3QM30)(OPTIONAL)

(A)=KH18-A  
(B)=KBW-10A  
(C)=  
(D)=  
(E)=  
(F)=

REF.	LEV.	PARTS NO.	DESCRIPTION	QTY						I	R
				(A)	(B)	(C)	(D)	(E)	(F)		
108	1	26116-100152	BOLT M10X 15 PLATED	1							
109	1	177090-04400	STRAINER, LUB OIL	1							
110	1	23414-200000	GASKET 20, ROUND	1							
111	1	177095-04120	GASKET	1							



Fig.35. SPECIAL TOOL(KBW-10A & KH18-A)

OCR10-G09109 35. SPECIAL TOOL(KBW-10A & KH18-A)

(A)=KH18-A  
(B)=KBW-10A  
(C)=

(D)=  
(E)=  
(F)=

REF.	LEV.	PARTS NO.	DESCRIPTION	Q'TY						I	R
				(A)	(B)	(C)	(D)	(E)	(F)		
1	1	177090-09010	SPACER	1	1						
2	1	177095-09020	REPLACER	1	1						
3	1	177095-09060	HOLDER	1							
4	1	177099-09040	REPLACER		1						
5	1	177095-09170	REPLACER		1						
6	1	177095-09070	REPLACER	1	1						
7	1	177095-09080	WRENCH	1	1						
8	1	177095-09090	WRENCH	1							
9	1	177090-09100	WRENCH	1							
10	1	177099-09010	WRENCH		1						
11	1	177095-09110	REPLACER	1							
12	1	177099-09030	REPLACER		1						
13	1	177090-09130	SPACER	1							
14	1	177090-09140	WRENCH W/PIN	1							
15	1	177099-09020	WRENCH W/PIN		1						
16	1	177090-09150	PIN	2							
17	1	22312-100200	PARALLEL PIN 10X20		2						
18	1	177090-09160	SPACER	1	1						

Remarks  
THIS FIGURE ARE NOT ILLUSTRATED.

## Part Number Index

All parts are stipulated in the order of part numbers.

(Depending on the area in which the part is used.)

This index will display the location of the part according to each part number.

## PARTS No. INDEX

PARTS No.	Fig.	Ref.No.
101104-01750	3	57
101104-01760	3	58
	22	7
101104-92180	26	15
101147-59810	1	67
	8	33
	15	80
101158-11230	3	51
101304-32560	34	97
101304-59020	15	42
		48
101400-55440	20	5
101400-92010	26	3
101404-92140	26	14
101720-51900	15	12 -1
102103-55520	15	10 -1
102210-07990	33	18
	34	24
103338-11180	3	10
103338-11190	3	11
103338-14200	5	6
103338-32570	34	99
103338-92020	26	2
103338-92030	26	4
103338-92100	26	8
103854-11490	3	42
	27	15
103854-53100	14	2
103854-53120	14	6
103854-53180	14	9
103854-59200	15	57
103854-66420	17	18
103884-03160	11	40
104200-03641	3	61
104200-11920	4	22
	11	37
104200-92130	26	11
104200-92350	25	7
104211-42050	10	38
104211-42070	10	43
104211-49060	12	17
		35
104211-49160	4	39
	12	37
	27	29
104211-82090	22	66
104211-83290	23	29
104214-03700	3	86
104214-39650	8	50
104214-83500	24	49

PARTS No.	Fig.	Ref.No.
104214-83980	24	50
104214-83990	24	51
104214-84450	22	34
104214-86030	16	4
	22	38
104264-59020	15	44
104264-59030	15	51
		54
104271-91350	21	9
104500-55710	15	5
	28	12
104511-11370	3	24
104571-91100	20	41
	21	13
104600-11100	3	5
104600-11110	3	6
104600-22300	7	7
104600-22400	7	8
104700-11350	3	8
104900-11410	3	40
104900-11450	3	41
	27	14
104900-53080	14	4
105582-49200	12	43
	28	15
105582-49900	12	9
105582-52010	15	72
105582-59020	15	49
105582-59150	15	67
105582-82090	22	67
	27	36
105582-82120	22	77
105582-82130	22	79
105582-82780	22	83
105582-84150	22	53
105582-84470	22	47
105583-85900	24	57
105584-59870	19	20
110250-53150	14	8
110250-55520	15	10
110250-55610	15	9
111154-51900	15	12
		58
113200-53110	14	5
113200-53120	14	7
120220-03660	3	71 -1
120220-13010	4	15
120220-13510	4	14
120220-82090	27	35
120220-82130	22	78

PARTS No.	Fig.	Ref.No.
120220-82230	24	26
120220-82240	24	28
	27	37
120220-82280	24	33
120220-82300	24	30
120220-83060	24	2
		4
120220-83200	23	34
120220-83230	24	5
120220-83250	23	38
120220-83260	24	11
120220-83290	23	30
120220-83342	23	19
120220-83410	24	10
120220-83420	24	9
120220-83450	23	65
120220-83470	24	16
120220-83480	24	17
120220-83490	24	18
120220-84120	23	40
120220-84130	22	59
120220-84300	22	50
120220-84310	23	71
120220-84320	23	41
120220-84472	22	46
120220-84490	23	39
120221-83030	24	3
120221-83520	23	61
120445-44530	11	66
120445-44540	11	67
120445-59220	15	50
120445-77950	11	40 -1
121150-51460	13	30
121250-01220	6	24
121250-01520	1	33
121250-01522	1	33 -1
121250-01750	1	52
	27	6
	29	5
121250-01751	1	52 -1
	27	6 -1
	29	5 -1
121250-01791	1	34
121250-01850	1	73
121250-01950	1	70
121250-01951	1	70 -1
121250-01990	1	26
121250-02100	1	22
	6	18
		36

PARTS No.	Fig.	Ref.No.
121250-02110	6	19
121250-02130	6	29
121250-02220	6	21
121250-02300	6	35
121250-02450	5	10
121250-11520	3	23
121250-11550	4	10
121250-12710	4	9
	29	8
121250-13520	4	52
	28	6
	29	11
121250-14010	5	2
121250-14100	5	5 -1
121250-21200	6	8 -1
121250-32201	8	3 -1
121250-35300	8	16
121250-35320	8	21
121250-35330	8	23
121250-35340	8	25
121250-39200	8	28
121250-59810	15	30
121250-59820	15	28
121250-59830	15	24
121250-59850	15	35
121250-59860	15	38
121250-66400	17	27
121250-77210	19	10
121252-39200	8	28 -1
121370-01330	1	43
	28	4
	29	7
121370-01331	1	43 -1
	28	4 -1
	29	7 -1
121370-01850	12	45
121370-03680	3	64
121370-08340	1	90
121370-11080	3	21
121370-11310	3	83
	27	17
121370-11320	3	78
121370-11331	3	79
	27	18
121370-11750	3	25
121370-12730	4	6
121370-13160	4	28
121370-21591	6	40
121370-21651	6	11
121370-21680	6	46

## PARTS No. INDEX

PARTS No.	Fig.	Ref.No.
121370-35061	8	12
121370-35080	8	45
121370-49010	12	1
121370-49020	12	2 A
121370-49040	4	60
121370-49050	4	80
121370-49060	12	6
121370-49160	4	42
	12	38
	27	30
121370-49171	12	36
121370-49190	12	31
121370-55600	15	1
121370-55601	15	1 -1
121370-55730	15	7
121370-59010	15	40
121370-59030	15	46
121370-59500	15	77
121370-59810	15	22
121370-59820	15	26
121370-59830	15	29
121370-67100	16	21
	17	98
121370-77010	19	2
	32	1
121370-77200	19	3
	30	1
121370-77920	20	22
121370-77950	30	26
121370-83981	24	52
121370-85401	24	47
121370-85910	24	56
121370-86101	16	2
	22	42
121390-08120	1	87
121390-13250	4	41
121390-21650	6	13
121390-32001	8	2 -1
121390-32200	8	3 -2
121390-42030	9	6
	10	6
121390-42120	11	15
121390-42130	9	6 -1
121390-42140	9	30
	10	31
	27	28
121390-42150	9	34
121390-46010	10	37
121390-46130	9	27
	10	28

PARTS No.	Fig.	Ref.No.
121390-48750	12	61
121390-49010	12	25
121390-49020	12	27
121390-49040	4	61
121390-49050	12	57
121390-59501	15	79
121390-66150	17	31
121400-39240	15	85
121575-42150	9	33 -1
122117-51560	13	36
122310-83380	23	14
122310-83390	23	16
122310-83400	24	37
122310-83410	24	23
122310-83460	23	67
122310-83630	23	15
122310-83800	23	69
122310-84421	23	57
122310-84450	23	55
122310-84460	23	51
122310-84470	23	52
122410-61670	2	33
122410-84450	23	59
123210-09310	3	29
	11	49
	12	16
	27	13
123220-46910	12	64
123310-77640	20	38
123325-49220	4	47
		58
		69
	11	52
		55
123325-59100	15	36
123325-59110	15	37
123482-91250	20	8 -1
123482-91251	20	8 -2
123482-91290	20	9 -1
123482-91291	20	9 -2
123672-44190	11	29
123672-44200	11	30
123672-44210	11	32
123682-44220	11	33
123682-91340	20	18 -1
	28	18 -1
124060-01050	1	16
124060-11510	3	22
124060-21660	6	48
124060-32070	34	98

PARTS No.	Fig.	Ref.No.
124060-32990	34	93
124070-07230	1	81 -1
124070-77800	19	15
124070-77801	19	15 -1
124070-91000	21	1
124070-91010	21	2
124070-91030	21	10
124070-91160	20	43
	21	15
124070-91250	21	5
124070-91290	21	6
124070-91300	21	7
124070-91310	21	8
124160-01750	3	57 -1
124160-01751	3	57 -2
124160-01861	1	74
	27	7
124160-01862	1	74 -1
124160-01863	1	74 -2
	27	7 -1
124160-01910	1	5 -1
		27
124160-21670	6	9
124160-21700	6	43
124160-34842	1	29
	27	20
124160-34843	1	29 -1
	27	20 -1
124160-34844	1	29 -2
	27	20 -2
124160-39140	8	29
124160-39450	20	21
	28	17
124210-83150	23	17
124210-83270	24	6
		8
124210-83360	22	76
	23	21
	29	18
124210-83370	23	22
	29	19
124210-84402	23	56
124210-84410	23	58
124220-09320	3	30
	11	50
	12	14
124220-35210	15	6
124220-35220	15	8
124220-35230	15	15
124220-35240	15	14

PARTS No.	Fig.	Ref.No.
124220-35270	15	11
124221-83530	24	14
124223-01850	15	73
	27	32
124223-13070	4	34
124223-42020	9	39
	10	46
	27	24
124223-42040	9	24
	10	25
124223-42070	9	13
	10	13
124223-42080	9	17
	10	17
124223-42091	9	19
	10	19
	28	13
124223-42100	9	21
124223-42110	9	31
	10	32
	27	25
124223-42120	9	26
	10	27
124223-42140	9	29
	10	30
	27	27
124223-42150	9	33
124223-42160	9	15
	10	15
124223-46011	10	36
124223-46100	12	66
124223-46150	10	45
124223-46950	12	67
124223-48050	12	52
		60
124223-48400	12	62
124223-49050	12	50
		56
124223-49300	4	32
		68
	12	18
		34
124223-49750	1	79
	4	26
	11	39
124223-59400	15	86
124223-59850	15	43
124223-77840	20	29
124223-92800	1	88
124227-21920	6	44

## PARTS No. INDEX

PARTS No.	Fig.	Ref.No.
124227-83220	24	20
124240-01881	2	24
	27	10
124240-01882	2	24 -1
	27	10 -1
124240-42291	19	5
124240-51390	13	25
124250-01650	1	80
124250-03630	3	71
124250-03640	3	74
124250-11880	3	7
124250-21501	6	45
124250-42170	11	8
124250-42200	11	5
124250-42240	11	6
124250-42260	11	9
124250-42350	11	7
124323-42100	9	21 -1
	10	21
124323-85900	24	58
124450-01210	1	7
124450-01220	1	8
124450-01230	1	9
124450-01240	1	11
124450-01250	1	10
124450-01511	2	6
	27	8
124450-01512	2	6 -1
	27	8 -1
124450-01800	2	5
124450-01960	1	37
124450-01980	1	38
124450-02110	6	37
124450-02220	6	20
124450-11160	3	12
124450-11161	3	12 -1
124450-11170	3	13
124450-11171	3	13 -1
124450-11290	3	44
124450-11310	3	82
	27	16
124450-11320	3	59
	4	13
124450-11671	3	89
124450-11681	3	90
	27	12
124450-11900	4	50
	28	5
	29	9
124450-14100	5	5

PARTS No.	Fig.	Ref.No.
124450-14120	5	3
124450-14400	5	7
124450-21200	6	8
124450-21530	6	42
124450-23100	7	12
124450-23200	7	11
124450-23300	7	13
124450-32020	8	10
	27	21
124450-32200	8	3
124450-35070	8	13
124450-35110	8	54
124450-35301	8	15
124450-35320	8	20
124450-35330	8	22
124450-35350	8	26
124450-39240	8	34
124450-44410	3	33
	11	19
	27	11
	29	12
124450-44560	4	25
	11	35
	12	48
124450-61200	17	4
124450-61220	17	3
124450-66040	17	15
124450-66411	17	28
124450-66420	17	29
	29	-2
124450-66430	17	41
124450-66460	17	8
124450-66520	17	24
124450-66550	17	25
124460-02150	1	19
	6	32
	27	19
124460-03650	3	78 -1
124460-03662	3	79 -1
124460-03663	3	79 -2
	27	18 -1
124460-11270	3	15
124460-11360	3	84
124460-59050	15	45
		52
		55
124460-59850	15	31
124460-59860	15	32
124460-66400	17	38
124460-66611	17	22

PARTS No.	Fig.	Ref.No.
124460-77680	4	25 -1
	11	35 -1
	12	48 -1
124460-92400	26	7
124465-01750	1	51
	27	5
	29	4
124465-01751	1	51 -1
	27	5 -1
	29	4 -1
124465-14010	5	1
124465-39200	8	27
124465-59800	15	27
124465-59810	15	23
124465-66400	17	26
124550-01300	1	41
124550-01900	1	23
124550-21600	6	41
124550-35110	8	14
	28	11
124550-51301	13	17
124550-51320	13	19
124550-51340	13	20
124550-51341	13	21
124550-51350	13	22
	27	39
124550-51370	13	37
124550-51950	1	69
124550-51951	1	69 -1
124550-59820	8	32
124550-61600	17	7
124550-66370	17	19
124550-66420	17	18 -1
124750-01331	1	42
	28	3
	29	6
124750-22090	7	1
124750-42350	11	10
124766-59050	1	79 -1
124770-01861	2	11
	27	9
124770-03200	1	66
124770-03600	3	60
124770-03610	3	62
124770-03680	3	63
124770-03690	3	65
124770-03710	3	75
124770-03720	3	87
124770-07210	1	56
124770-07230	1	81

PARTS No.	Fig.	Ref.No.
124770-08110	1	82
124770-08120	1	83
124770-08340	1	89
124770-08910	1	91
124770-09010	2	32
124770-09100	2	36
124770-09140	2	39
124770-09150	2	37
124770-09200	2	38
124770-09250	2	34
124770-11340	3	14
124770-11420	3	39
124770-11650	3	32
124770-11670	3	88
124770-11770	3	77
	4	8
124770-12500	4	1
124770-12530	4	3
124770-12540	4	2
124770-13130	4	51
	28	7
	29	10
124770-13150	4	33
		64
124770-13170	4	30
		35
	28	9
124770-13180	4	29
	28	8
124770-13550	4	74
124770-13690	4	46
		57
124770-21590	6	38
124770-21591	6	38 -1
124770-34710	8	39
124770-34720	8	40
124770-34730	8	41
	27	22
124770-34750	8	42
124770-34800	8	37
124770-42030	9	5
	10	5
124770-49020	12	2
124770-49040	4	59
124770-49050	4	79
124770-49060	12	5
124770-49100	4	75
124770-49110	4	76
124770-49190	12	30
124770-49200	12	42

## PARTS No. INDEX

PARTS No.	Fig.	Ref.No.
124770-49200	28	14
124770-49310	12	10
124770-51100	13	7
124770-52100	2	17
124770-52110	2	18
124770-52120	2	21
124770-52150	2	23
124770-52180	2	25
124770-53000	14	3
	28	20
124770-59160	15	56
124770-59600	15	82
124770-59610	15	83
124770-61110	17	2
124770-66510	17	23
124770-66700	17	42
124770-66711	17	43
124770-66720	17	45
124770-66731	17	44
124770-66740	17	73
124770-76010	18	6
124770-76100	18	19
124770-76170	18	27
124770-76180	18	16
124770-76200	18	3
124770-76280	18	9
124770-76300	18	12
124770-77010	19	1
	31	1
124770-77081	19	24
	27	33
124770-77250	19	12
124770-77330	19	13
124770-77940	20	24
124770-77950	20	25
124770-77960	20	26
124770-77980	20	23
124770-82031	22	17
	27	34
	29	14
124770-82810	22	29
124770-82900	22	5
124770-83030	24	1
124770-83210	23	23
124770-83300	23	25
124770-83330	23	27
124770-83520	23	60
124770-83530	24	13
124770-85400	24	46
124770-91000	20	1

PARTS No.	Fig.	Ref.No.
124770-91010	20	3
124770-91030	20	14
124770-91040	20	11
	21	11
		12
	28	19
124770-91100	2	46
	20	36
124770-91160	2	47
	20	37
124770-91161	2	47 -1
	20	37 -1
124770-91200	20	4
	21	3
124770-91220	20	6
124770-91230	20	7
	21	4
124770-91250	20	8
124770-91260	20	10
124770-91270	20	13
124770-91290	20	9
124770-91500	20	40
124770-92690	26	13
124772-01330	1	42 -1
	28	3 -1
	29	6 -1
124772-01400	1	28
124772-01600	1	58
124772-01610	1	62
	27	23
124772-01850	2	10
124772-03100	1	78 -1
124772-07300	2	14
124772-09150	2	37 -1
124772-11120	3	9
124772-11250	3	43
124772-13160	4	27
124772-13410	4	21
124772-21650	6	10
124772-21651	6	10 -1
124772-35060	8	11
124772-39950	8	51
124772-42130	9	5 -1
124772-42780	19	4
124772-52100	2	17 -1
124772-52120	2	21 -1
124772-59500	15	76
124772-59650	15	68
124772-59660	15	69
124772-59670	15	70

PARTS No.	Fig.	Ref.No.
124772-59810	15	21
124772-59820	15	25
124772-66010	17	32
124772-66090	17	61
124772-66200	17	56
124772-66210	17	57
124772-66220	17	58
124772-66700	17	48
124772-66710	17	49
124772-66720	17	51
124772-66730	17	50
124772-66740	17	74
124772-66750	17	54
124772-66760	17	52
124772-66800	17	68
124772-66810	17	69
124772-66820	17	70
124772-66830	17	70 -1
	71	
124772-66840	17	71 -1
124772-66890	17	62
124772-67110	16	20
	17	97
124772-77350	19	4 -1
	28	21
124772-77810	19	18
124772-77920	20	22 -1
124772-77921	20	22 -2
124772-85910	24	55
124772-86100	16	1
	22	41
124790-01600	1	59
124790-01601	1	58 -1
	59	-1
124790-01870	2	28
124790-07300	2	15
124790-08120	1	86
124790-21590	6	39
124790-21591	6	39 -1
124790-21650	6	12
124790-21651	6	12 -1
124790-42050	11	13
124790-42120	11	14
124790-44100	11	65
124790-44400	11	41
124790-44470	11	42
124790-44560	11	68
124790-49010	12	24
124790-49020	12	26
124790-49250	4	38

PARTS No.	Fig.	Ref.No.
124790-49260	4	66
124790-49290	4	45
124790-49510	12	20
124790-49520	12	21
124790-49530	12	22
124790-49600	11	36
	12	19
124790-49750	11	56
124790-49760	11	57
	27	31
124790-49800	11	60
124790-55800	15	17
124790-55810	15	17 -1
124790-59010	15	41
124790-59030	15	47
124790-59040	15	53
124790-59501	15	78
124790-61110	17	2 -1
124790-61200	17	4 -1
124790-61220	17	3 -1
124790-66010	17	32 -1
124790-66081	17	33
124790-66150	17	30
124790-66200	17	30 -1
		31 -1
124790-66201	17	30 -2
		31 -2
124790-66420	17	29 -1
124790-66460	17	8 -1
124790-66600	17	22 -1
124790-66740	17	75
124790-66950	17	12
124790-76170	18	28
124790-76190	18	31
124790-76200	18	4
124790-76250	18	10
124790-76300	18	13
124790-76310	18	33
124790-77330	19	14
124790-77920	20	22 -3
124790-86100	16	3
	22	43
124790-91000	20	2
124790-91400	20	15
124790-91430	20	16
124790-91440	20	17
		20
124790-91710	20	30
124790-91720	20	31
125110-76800	18	17

## PARTS No. INDEX

PARTS No.	Fig.	Ref.No.
125110-84480	23	47
		53
125110-84490	23	48
		54
125110-84520	23	50
125310-67260	17	89
125310-67270	17	88
125310-67280	17	82
125310-67290	17	83
134790-49600	3	26
135210-61090	17	21
		67
144626-91570	20	19 -2
144626-91590	20	19 -1
145410-46040	9	25
	10	26
145410-46070	9	14
	10	14
145410-46080	9	16
		18
	10	16
		18
145410-46090	9	20
	10	20
145410-46100	9	21 A
	10	22
145410-46110	9	32
	10	33
	27	26
145410-46120	9	28
	10	29
145410-46130	9	34 -1
172100-53200	14	10
	27	41
173400-11900	3	27
174100-54120	13	16
174307-51170	13	8
174307-51180	13	9
174307-51190	13	10
174307-51250	13	26
174307-51270	13	27
	27	40
174307-51320	13	18
174307-51370	13	24
174307-51380	13	23
174307-51450	13	28
174307-51460	13	29
174307-51510	13	33
174307-51550	13	34
174307-51560	13	35

PARTS No.	Fig.	Ref.No.
174307-51700	13	38
176000-02201	22	80
176000-02401	24	27
176000-02410	24	29
	27	38
	29	15
176000-02440	24	31
176000-02801	22	30
176000-02811	22	31
176000-02901	22	6
176000-03150	23	20
176000-03201	23	24
176000-03211	23	35
176000-03230	24	7
176000-03300	23	26
176000-03330	23	28
176000-03450	23	33
176000-03461	23	70
176000-03651	24	21
176000-03701	24	38
176000-03721	24	35
176000-03730	24	24
176000-03740	23	49
176000-03860	23	46
176000-03950	23	64
176000-04521	22	35
177080-02720	33	25
177080-02730	33	26
177090-02070	34	12
177090-02120	34	13
177090-02250	34	18
177090-02421	34	23
177090-02451	34	21
177090-02620	33	29
	34	35
177090-02630	33	30
	34	36
177090-02700	34	1
177090-02800	34	10
177090-02970	34	27
177090-03020	34	49
177090-03050	34	56
177090-03060	34	57
177090-03070	34	58
177090-03080	33	72
	34	68
177090-03090	33	73
	34	69
177090-03100	34	64
177090-03110	33	69

PARTS No.	Fig.	Ref.No.
177090-03110	34	65
177090-03121	33	71
	34	67
177090-03130	34	70
177090-03140	34	71
177090-03180	33	64
	34	59
177090-03210	34	60
177090-03230	33	59
	34	53
177090-03270	33	75
	34	72
177090-03300	34	61
177090-03310	34	63
177090-03320	34	80
177090-03391	34	87
177090-03400	34	88
177090-03500	34	47
177090-03600	34	62
177090-03610	34	81
177090-03750	34	48
177090-03760	34	73
177090-03800	34	83
177090-03810	34	84
177090-03820	34	85
177090-03920	34	90
177090-04400	34	109
177090-06010	34	20
177090-06300	34	38
177090-07400	34	103
177090-07410	34	107
177090-09010	35	1
177090-09100	35	9
177090-09130	35	13
177090-09140	35	14
177090-09150	35	16
177090-09160	35	18
177091-02710	34	2
177091-02720	34	31
177091-02730	34	32
177095-02250	34	17
177095-02310	34	19
177095-02400	33	19
	34	25
177095-02960	34	26
177095-02980	33	22
	34	28
177095-03030	33	57
	34	51
177095-03040	33	58

PARTS No.	Fig.	Ref.No.
177095-03040	34	52
177095-03150	34	77
177095-03190	33	60
	34	54
177095-03200	33	37
		61
	34	43
		55
177095-03210	33	65
177095-03240	34	74
177095-03280	33	70
	34	66
177095-03800	33	76
	34	75
177095-03900	33	77
	34	76
177095-04120	34	111
177095-06030	33	34
	34	40
177095-06040	33	39
	34	45
177095-06050	33	35
	34	41
177095-06060	33	38
	34	44
177095-06070	33	31
	34	37
177095-06140	33	36
	34	42
177095-09020	35	2
177095-09060	35	3
177095-09070	35	6
177095-09080	35	7
177095-09090	35	8
177095-09110	35	11
177095-09170	35	5
177099-02081	33	6
177099-02091	33	7
177099-02110	33	1
177099-02120	33	2
177099-02130	33	3
	34	3
177099-02250	33	13
177099-02421	33	17
177099-02450	33	15
177099-02950	33	20
177099-02960	33	21
177099-03011	33	42
177099-03021	33	50
177099-03040	33	55

## PARTS No. INDEX

PARTS No.	Fig.	Ref.No.
177099-03070	33	62
177099-03080	33	63
177099-03101	33	66
177099-03111	33	68
177099-03161	33	74
177099-03301	33	45
177099-03311	33	46
177099-03321	33	48
177099-03411	33	43
177099-03431	33	67
177099-03470	33	78
177099-03500	33	41
177099-03540	33	53
177099-03550	33	52
177099-03900	33	49
177099-03901	33	49 -1
177099-03920	33	44
		54
177099-03980	33	46 -1
177099-06010	33	14
177099-06041	33	32
177099-06050	33	12
		33
	34	39
177099-09010	35	10
177099-09020	35	15
177099-09030	35	12
177099-09040	35	4
189040-01860	1	55
41701-000201	17	78
41701-000221	17	79
41701-000241	17	84
41701-000260	17	85
41701-000281	17	86
41701-000361	17	90
41701-000430	17	92
41701-000440	17	93
41701-000450	17	94
41701-000460	17	95
41701-000470	17	96
41701-001240	17	91
41710-000380	16	17
41710-000400	16	10
41710-000410	16	9
41710-000860	16	5
	22	39
41710-500090	16	16
41710-500100	16	18
41710-500110	16	19
41710-500130	16	8

PARTS No.	Fig.	Ref.No.
41710-500140	16	11
41710-500160	16	12
43400-500390	15	59
43400-500410	1	15
43600-001200	4	20
	12	44
43600-500011	12	53
43600-500290	4	20 -1
	12	44 -1
43600-500310	11	37 -1
43662-015012	12	51
		58
43662-020021	12	59
46150-001110	20	12
		42
	21	14
46150-003660	19	23
46150-003680	19	23 -1
46150-004530	20	18
	28	18
46150-400590	20	19
48110-028070	24	39
48110-030060	24	40
48110-032411	24	44
48110-034070	24	41
704211-67600	16	7
704211-82500	22	61
704507-92100	25	1
705582-82500	22	65
711100-51540	13	13
721150-51530	13	32
721250-02500	1	18
	6	15
721250-02610	6	22
721250-02620	6	27
721250-11650	3	47
721250-11660	3	49
721250-11670	3	50
721250-11680	3	48
721250-14580	5	2 -1
721250-21700	6	2
721250-32700	8	2
721370-01540	1	45
721370-01560	1	2
721370-11520	3	54
721370-11521	3	54 -1
721370-11700	3	2
721370-13200	4	54
721370-13300	4	73
721370-13500	4	17

PARTS No.	Fig.	Ref.No.
721370-51700	13	3
721370-92500	28	2
721370-92600	27	2
721390-11990	29	2
721390-13200	4	55
721390-42500	10	2
721390-42700	9	2
721390-42701	9	2 -1
721390-43700	11	2
721390-51700	13	4
721390-92600	27	4
724220-55500	15	2
724240-51530	13	31
724450-11650	3	45
724450-11660	3	46
724450-21702	6	1 -1
724450-23100	7	9
724450-32700	8	1
724465-01561	1	1
724465-02500	1	17
	6	14
724465-14580	5	1 -1
724550-21701	6	1
724550-61520	13	11
724750-22500	7	3
	28	10
724770-01450	12	11
724770-01900	1	39
724770-09500	2	31
724770-09550	2	30
724770-13200	4	53
724770-13300	4	72
724770-42500	10	1
724770-42700	9	1
724770-42701	9	1 -1
724770-48100	12	49
724770-51700	13	1
724770-53100	14	1
724770-61520	17	1
724770-66530	17	9
724770-76110	18	1
724770-82550	22	1
724770-82551	22	1 -1
724770-83150	23	5
724770-83730	23	1
724770-92210	26	1
724770-92220	26	9
724771-83730	23	3
724772-01500	2	1
724772-01540	1	44

PARTS No.	Fig.	Ref.No.
724772-09500	2	31 -1
		31 -2
724772-09550	2	30 -1
		30 -2
724772-11520	3	53
724772-11521	3	53 -1
724772-11700	3	1
724772-13500	4	16
724772-32700	8	1 -1
724772-39500	8	48
724772-92500	28	1
724772-92600	27	1
724790-11990	29	1
724790-22500	7	3 -1
	28	10 -1
724790-22720	7	1 -1
724790-32101	8	1 -2
724790-43700	11	1
724790-44500	11	26
724790-44550	11	46
724790-44560	11	53
724790-51700	13	2
724790-55900	15	17 -2
724790-61520	17	1 -1
724790-66530	17	9 -1
724790-76110	18	2
724790-92600	27	3
776000-02550	22	2
776000-02980	29	13
776000-03570	23	43
776000-03720	23	6
776000-03730	23	2
776001-03730	23	4
777095-04900	34	91
81701-000101	17	77
83211-004013	15	88
83213-003012	15	87
977783-00121	10	47
X21141360	31	15
X211416511	31	25
X21141742	31	30
X21142215	32	13
X211423001	31	13
X211426006	31	18
X211427003	31	28
X21142742	31	29
X21143155	32	7
X211441004	31	2
X21144314	31	17
X21144661	31	19



## PARTS No. INDEX

PARTS No.	Fig.	Ref.No.
X21144886	31	34
X21145312	31	12
X21145313	31	16
X21145352	31	14
X21146815	31	35
X21147155	31	7
X21147215	31	11
X21148110	31	3
X211482001	31	10
X211484001	31	20
X211485001	31	24
X21148861	31	31
X21201115	32	3
X21201313	32	17
X21201403	32	22
X21201404	32	24
X21201742	32	41
X21201744	32	42
X21201815	32	29
X21201836	32	40
X21202220	32	12
X21202350	32	18
X21202404	32	23
X21202601	32	27
X21203305Y	32	14
X21203750	32	38
X21204302	32	19
X21204401	32	21
X21204610	32	28
X21205312	32	16
X21205550	32	25
X21206605	32	31
X21207100	32	2
X21207311	32	15
X21207810	32	37
X212086001	32	26
X21209400	32	20
X6201SD	30	4
X6302B	30	30
XB444001A	30	40
XL135Y1200	30	5
XL135Y1300	30	6
XL135Y1301	30	7
XL135Y1302	30	8
XL135Y1303	30	10
XL135Y1310	30	13
XL135Y1311	30	16
XL135Y13200	30	19
XL135Y1400	30	28
XL135Y1401	30	29

PARTS No.	Fig.	Ref.No.
XL135Y1531	30	32
XL135Y1801	30	37
XL135Y1802	30	38
XL135Y1803	30	20
XL135Y1810	30	23
XL135Y1820	30	39
XLR135Y1100	30	2
XMV11305	30	24
XMV11306	30	25

PARTS No.	Fig.	Ref.No.
-----------	------	---------

PARTS No.	Fig.	Ref.No.
-----------	------	---------



***YANMAR CO., LTD.***