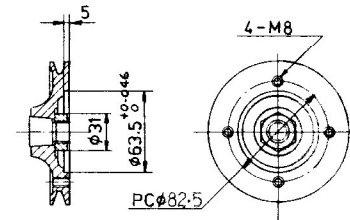
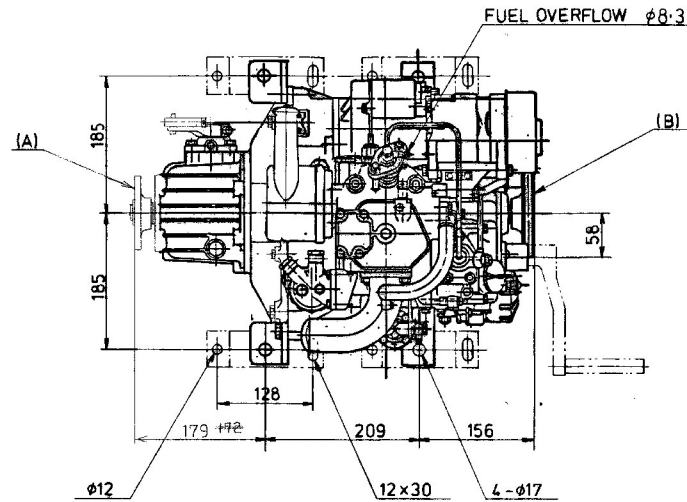
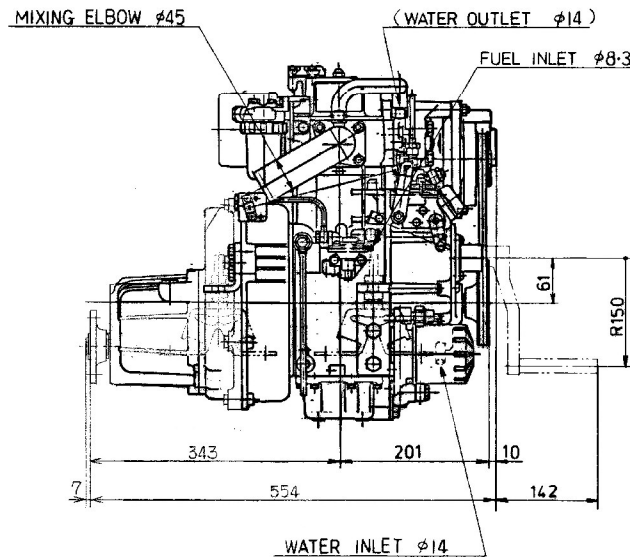
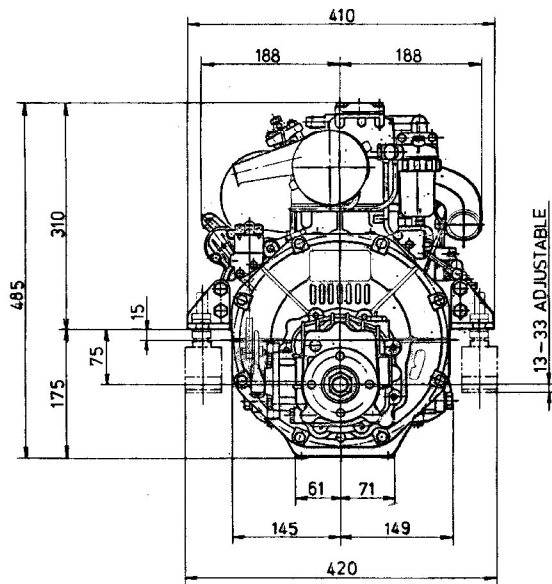


DETAIL OF COUPLING (A)  
(SCALE 1/3)



DETAIL OF PULLEY (B)  
(SCALE 1/3)



CLUTCH MODEL : KM2P

NOTE

DWG. SHOWS MOUNTING BLOCKS AT ORIGINAL HEIGHT.  
ENGINE WEIGHT WILL COMPRESS BLOCKS BY 3MM (APPROX).

ALL DIMENSIONS ARE IN MILLIMETER

Scale	YANMAR MARINE INTERNATIONAL	1GM10X WITH
1/5	24 April 2005	KM2P-1
GROUP, USER=EM2, MT01		